



USER MANUAL
GUIDE DE L'UTILISATEUR
BENUTZERHANDBUCH
MANUAL DEL USUARIO
GEBRUIKERSHANDLEIDING
MANUAL DO UTILIZADOR

FLUVAL®



EN TABLE OF CONTENTS

Parts Listing/ Replacement Parts	EN-5
Safeguard Instructions	EN-6
Installation and Use	EN-7
Specifications	EN-12
Maintenance	EN-13
Maintenance Frequency	EN-13
Warranty and Customer Service	EN-18

FR TABLE DES MATIÈRES

Pièces de l'appareil/pièces de rechange	FR-21
Mesures de sécurité	FR-22
Installation et utilisation	FR-23
Spécifications	FR-28
Entretien	FR-29
Fréquence de l'entretien	FR-29
Garantie et Service à la clientèle	FR-34

DE INHALT

Produktteile/Ersatzteile	DE-37
Sicherheitshinweise	DE-38
Installation und Verwendung	DE-39
Spezifikationen	DE-44
Wartung	DE-45
Wartungsintervalle	DE-45
Garantie und Kundendienst	DE-50

ES TABLA DE CONTENIDOS

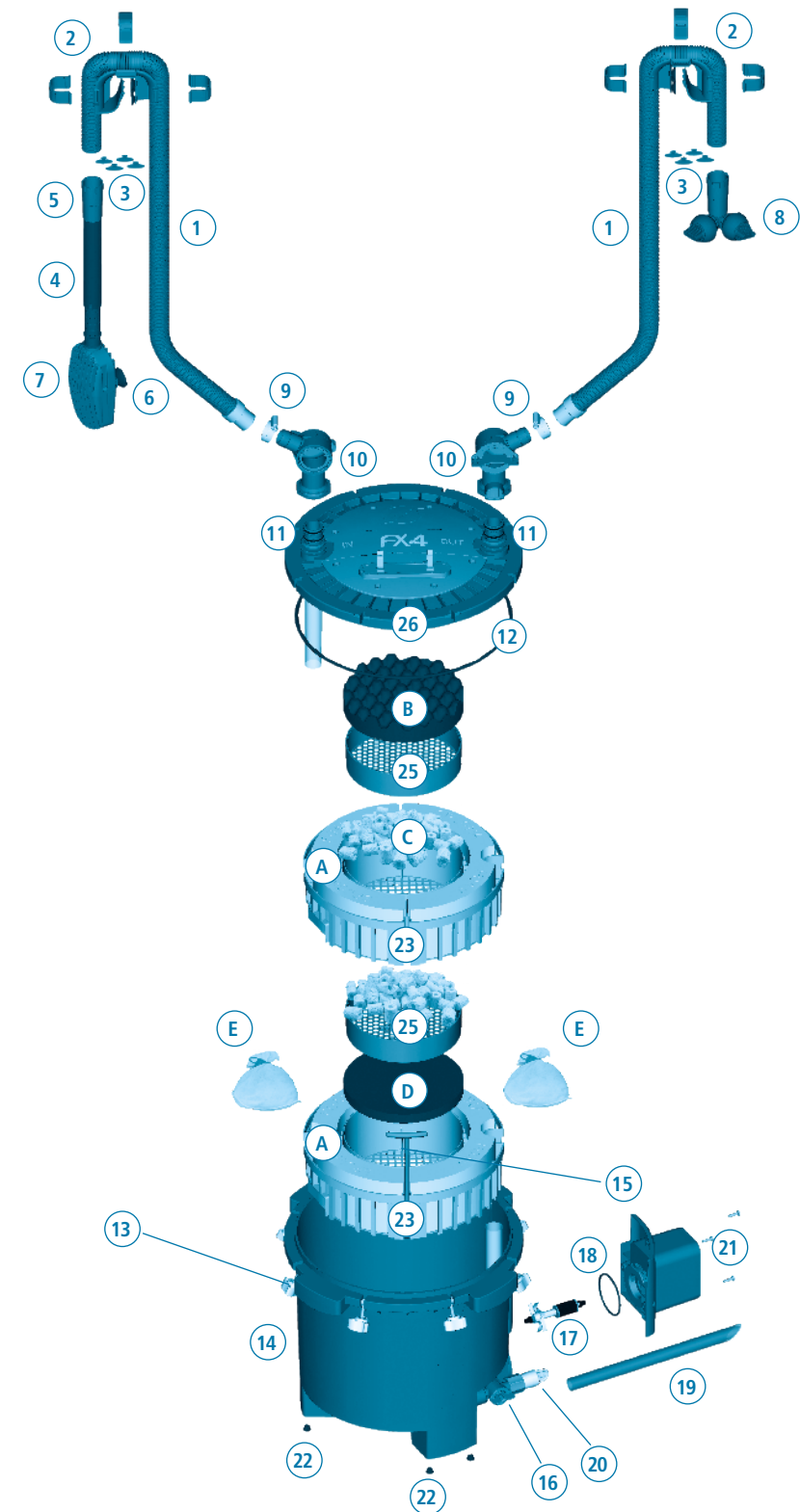
Lista de piezas/Piezas de repuesto	SP-53
Medidas de seguridad	SP-54
Instalación y uso	SP-55
Especificaciones	SP-60
Mantenimiento	SP-61
Frecuencia de mantenimiento	SP-61
Garantía y Servicio a la Clientela	SP-66

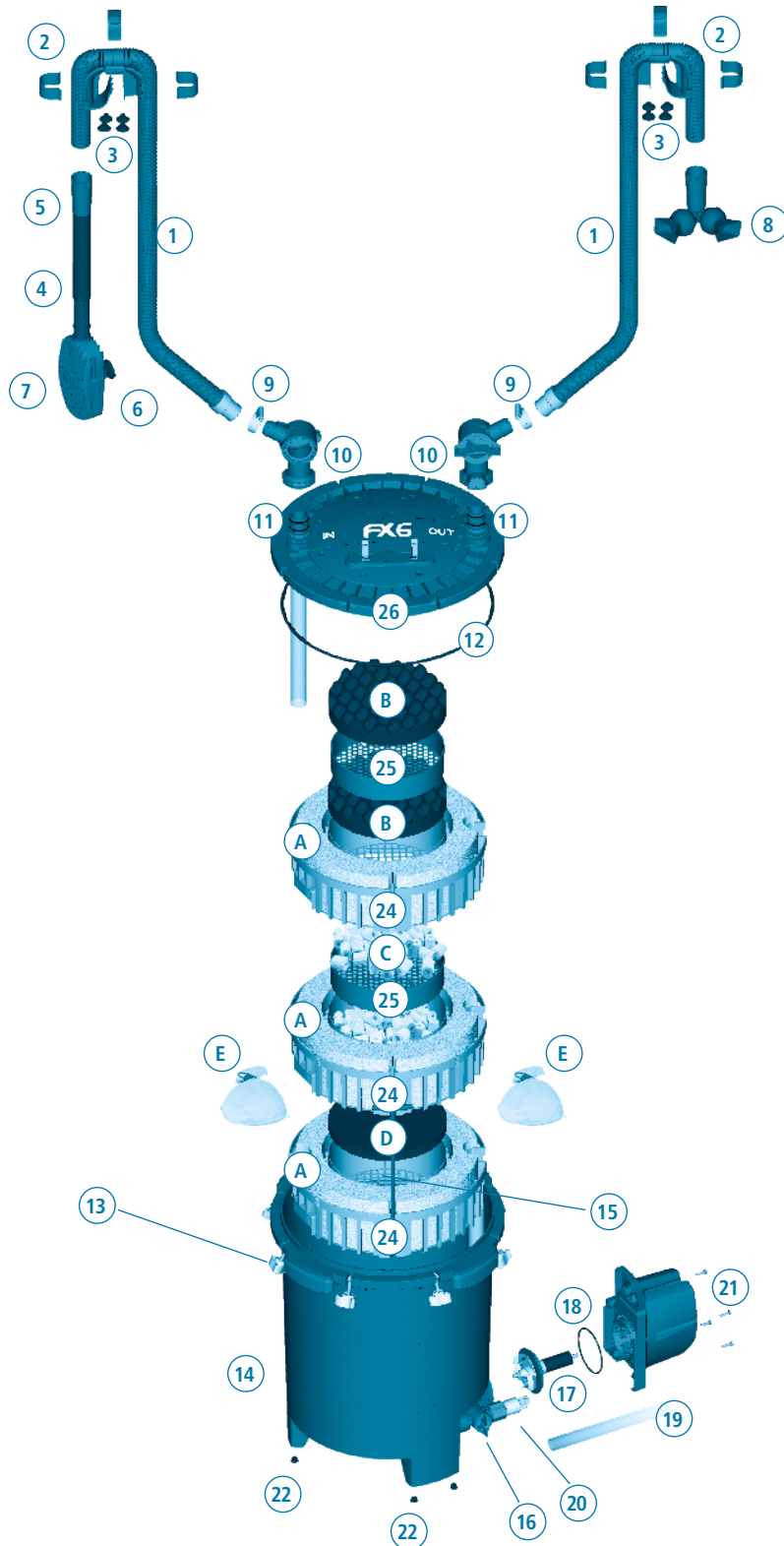
NL INHOUD

Onderdelen/vervangstukken	NL-69
Veiligheidsvoorschriften	NL-70
Installatie en gebruik	NL-71
Specificaties	NL-76
Onderhoud	NL-77
Onderhoudstabel	NL-77
Garantie en klantendienst	NL-82

PT ÍNDICE

Listagem de Peças/Peças de Substituição	PT-85
Instruções de Segurança	PT-86
Instalação e Utilização	PT-87
Especificações	PT-92
Manutenção	PT-93
Frequência de Manutenção	PT-93
Garantia e Serviço de Apoio ao Cliente	PT-98



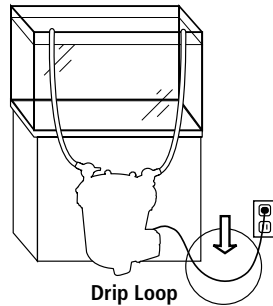


Part	Description	Quantity	FX4 Item Number	FX6 Item Number	Quantity Spare Parts
1	Ribbed Hosing	1	A20236	A20236	1
2	Rim connector (1) & Clips (3)	2	A20230	A20230	1
3	Rim Connector Suction Cups	8	A20232	A20232	4
4	Intake Stem	1	A20225	A20225	1
5	Rubber Connector	2	A20228	A20228	2
6	Strainer Suction Cup	2	A15041	A15041	4
7	Strainer	1	A20221	A20221	1
8	Output Assembly (Nozzle)	1	A20227	A20226	1
9	Metal Clamp (For hosing)	2	A20234	A20234	2
10	AquaStop Valves	2	A20216	A20216	1
11	Top cover click-fit O-ring	4	A20212	A20212	2
12	O-Ring (Filter lid)	1	A20210	A20210	1
13	Lid Fasteners	8	A20215	A20215	1
14	Filter Canister	1	N/A	N/A	
15	T-Bar Handles	2	A20242	A20241	1
16	Utility Valve	1	A20219	A20219	1
17	Magnetic Impeller Assembly	1	A20208	A20206	1
18	Motor Seal Ring	1	A20211	A20207	1
19	Utility Valve Hosing	1	A20237	A20237	1
20	Drain Cap	1	N/A	N/A	
21	Pump Unit (Motor) & Power Cord	1	A20202	A20201	1
22	Rubber Feet	6	A20121	A20121	4
23	Media baskets- FX4	2	A20239	N/A	1
24	Media baskets- FX6	3	N/A	A20239	1
25	½ Media basket	2	A20243	A20243	1
26	Filter Lid	1	N/A	N/A	

Part	Description	FX4 Quantity	FX6 Quantity	FX4 Item Number	FX6 Item Number	Quantity Spare Parts
A	Foam	4	6	A228	A228	3
B	Bio Foam	1	2	A239	A239	2
C	Ceramic Rings (BioMax)	2	2	A1456	A1456	1
D	Carbon Pad	1	1	A249	A249	2
E	Media Bags	2	2	A1428	A1428	2

WARNING - To guard against injury, basic safety precautions should be observed including the following:

1. **READ & FOLLOW ALL SAFETY INSTRUCTIONS** and all the important notices on the appliance before using. Failure to do so may result in the loss of fish life and/or damage to the appliance.
2. **DANGER** – To avoid possible electric shock, special care should be taken since water is employed in the use of aquarium equipment. For each of the following situations, do not attempt repairs yourself, return the appliance to an authorized service facility for service or discard the appliance.
 - A. If the appliance falls into the water, DON'T reach for it! First unplug it and then retrieve it. If electrical components of the appliance get wet, unplug the appliance immediately.
 - B. If the appliance shows any sign of abnormal water leakage or if RCD (or GFCI – Ground Fault Current Interrupter) switches off disconnect the power supply cord from the mains and remove pump from water.
 - C. Carefully examine the appliance after installation. It should not be plugged if there is water on parts not intended to be wet.
 - D. Do not operate any appliance if it has a damaged cord or plug, or if it is malfunctioning or it is dropped or damaged in any manner. The power cord of this appliance cannot be replaced. If the cord is damaged, the appliance should be discarded. Never cut the cord.
 - E. To avoid the possibility of the appliance plug or receptacle getting wet, position the appliance to one side of a wall mounted receptacle. To prevent water from dripping onto the receptacle or plug, a "drip loop" (see photo) should be arranged by the user in the cord connecting appliance to a receptacle. The "drip loop" is that part of the cord below the level of the receptacle or the connector, to prevent water travelling along the cord and coming in contact with the receptacle. If the plug or receptacle does get wet, DON'T unplug the cord. Disconnect the fuse or circuit breaker that supplies power to the appliance. Then unplug and examine for presence of water in receptacle.
3. **WARNING** – Close supervision is necessary when any appliance is used by or near children. This appliance can be used by children ages 8 years and above and persons with reduced physical, sensory or mental capabilities or lack of experience and knowledge if they have been given supervision or instruction concerning use of the appliance in a safe way and understand the hazards involved. Children shall not play with the appliance. Cleaning and user maintenance shall not be made by children without supervision.
4. **To avoid injury, do not touch moving parts or hot parts.**
5. **CAUTION** – Always unplug or disconnect all appliances in the aquarium from electricity supply before placing hands in water, before putting on or taking off parts and while the equipment is being installed, maintained or handled. Grasp the plug and pull to disconnect. Never yank cord to pull plug from outlet. **Always unplug an appliance from an outlet when not in use.**
6. This appliance is not a submersible aquarium filter-pump. It is intended for use in ornamental household aquariums. It may be used with fresh or salt water. Maximum water temperature 35°C. Do not use this appliance for other than intended use (ie: DO NOT use in swimming pools, bathrooms, ect.). The use of attachments not recommended or sold by the appliance manufacturer may cause an unsafe condition and will invalidate your warranty.
7. This is a **HOUSEHOLD APPLIANCE INTENDED FOR DOMESTIC USE** and it is suitable for **INDOOR** use only. Do not install or store this appliance where it will be exposed to the weather or temperatures below freezing.
8. Make sure that this appliance is securely installed before operating it and that the electrical connection is in accordance with the data on the rating label. Do not allow filter pump to run dry.
9. If an extension cord is necessary, a cord with proper rating should be used. A cord rated for less amperes or watts than the appliance rating may overheat. Care should be taken to arrange the cord so that it will not be tripped over or pulled. The connection should be carried out by a qualified electrical installer.



10. SAVE THESE INSTRUCTIONS

for future reference.

1. Before beginning

- For best results, top off water in aquarium before beginning setup.
- Allow 30-45 minutes for setup and installation.
- Tools required: Phillips screwdriver and utility knife.
- Read all instructions.

DO NOT PLUG IN FILTER UNTIL SETUP IS COMPLETE AND UNIT IS FILLED WITH WATER.

2. Unpack and identify all parts

Use the diagram at the beginning of the manual.

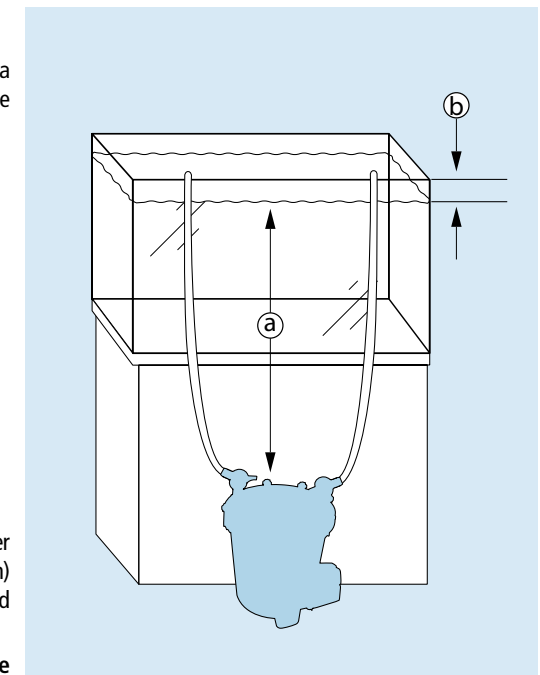
3. Prepare the aquarium

1. Decide on filter placement. Remember, this is a gravity-fed system. For it to work properly, all of the Installation Requirements below must be adhered to.

	FX4	FX6
a	min. 20 cm to 150 cm	min. 20 cm to 150 cm
b	max. 20 cm	max. 20 cm

IMPORTANT:

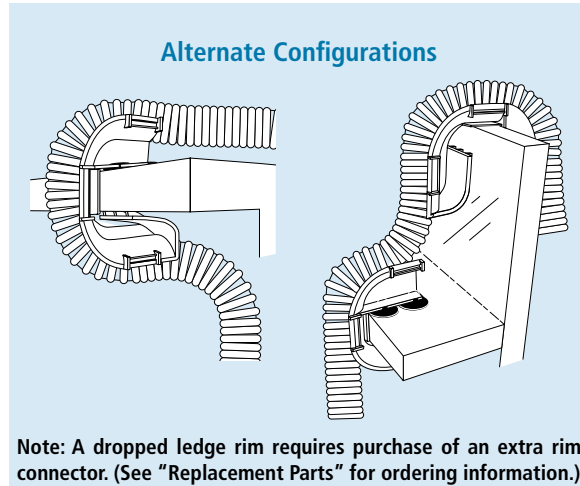
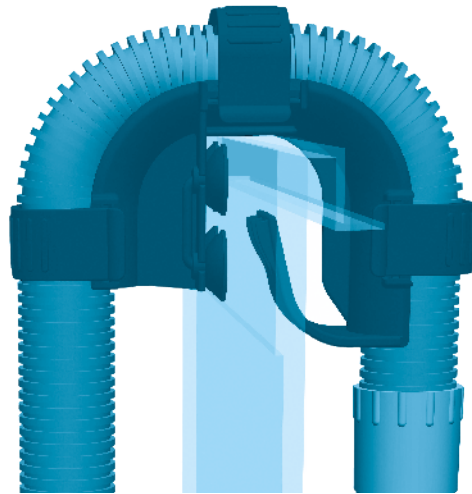
- NEVER install the filter above the water level.
- The hosing supplied with the unit is 13.1 ft (4m) long. If longer hosing is required, intake hosing must not exceed 6.5 ft. (2m) and the total length of intake and outlet hosing combined must not exceed 16.4 ft. (5m).
- **Hosing must follow a straight path from the filter to the aquarium rim, with no slack and no loops.**
- For best performance, the filter should be completely beneath the aquarium (as in figure shown).
- Position utility valve so that you will be able to attach the supplied hosing without moving the unit.



- Place the two rim connectors over the back top edge of the aquarium. Place one just above the spot where you want to place the intake tube; place the other just over the spot where you want to position the output nozzle. Be sure that the long end of the bracket is on the inside of the aquarium.

The rubber rings on the connectors are designed to help them adhere to tank glass better. If the aquarium walls are thinner than 5/8 in. (1.58 cm) replace the rubber ring with the four smaller suction cups provided.

IMPORTANT: Be sure to position the intake tube away from any air source—an air stone, an aeration device, protein skimmer or the output valve. Air entering the intake strainer will diminish filter efficiency.

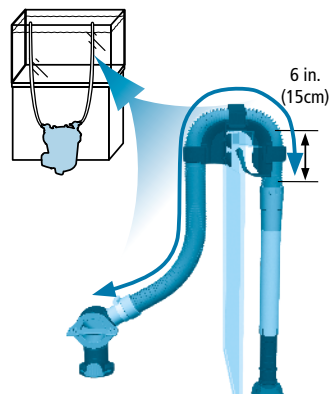


1. Prepare intake connections

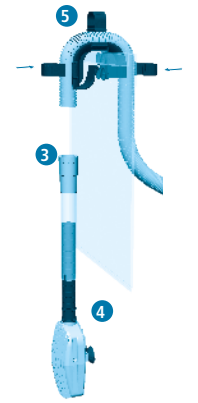
- Connect the hosing to one of the two valves (marked "IN"):
 - Loosen one of the metal clamps, and slide it onto one end of the hosing (the rubber part).
 - Push the end of the hosing onto the valve; push it all the way, as far as it will go.
 - Position the metal clamp over the rubber connector, and tighten.
- Measure and cut the hosing. You will need a length of hosing that reaches comfortably from inside the aquarium to the filter canister.

IMPORTANT: Hosing should follow a straight path from the filter to the aquarium rim, with no slack and no loops. If the hosing is too long, the filter will not work efficiently (the maximum length of the hosing is 6.5 ft / 2m).

 - Place the valve end of the hosing at the approximate spot where it will be positioned on the filter lid (once the filter is installed).
 - Stretch out the hosing so it rests over the "intake" rim bracket.
 - At a spot at least 6 in. (15cm) beyond the aquarium rim, use a utility knife to cut the hosing. Do not cut it too short. Remember, you can always cut it shorter during final installation, if necessary.



- Push the cut end of this "intake" hosing into the rubber connector on the intake tube. Push the hosing in by at least 1 in. (2.5cm) without twisting it.
- Place the intake strainer in the tank, making sure it is at least 3 in. (7.5 cm) from the bottom. Adjust the intake tube for the best extension for your aquarium, respecting the 3 in. (7.5 cm) from the bottom rule. Once the intake strainer is properly positioned, lock it in place by pressing the suction cups against the glass.
- Fasten the intake strainer's hosing onto the rim connector using the three rim connector clips.

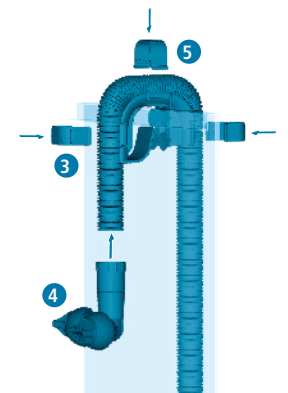
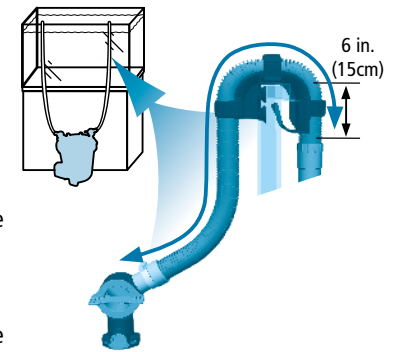


5. Prepare output connections

- Connect the hosing to the second valve (Just as for the intake hosing):
 - Loosen the second metal clamp, and slide it onto the factory-finished end of the hosing (not the cut end).
 - Push the end of the hosing onto the valve; push it all the way, as far as it will go.
 - Position the metal clamp over the rubber connector, and tighten.
- Measure and cut the hosing. Again, you will need a length of hosing that reaches comfortably from inside the aquarium to the filter canister.

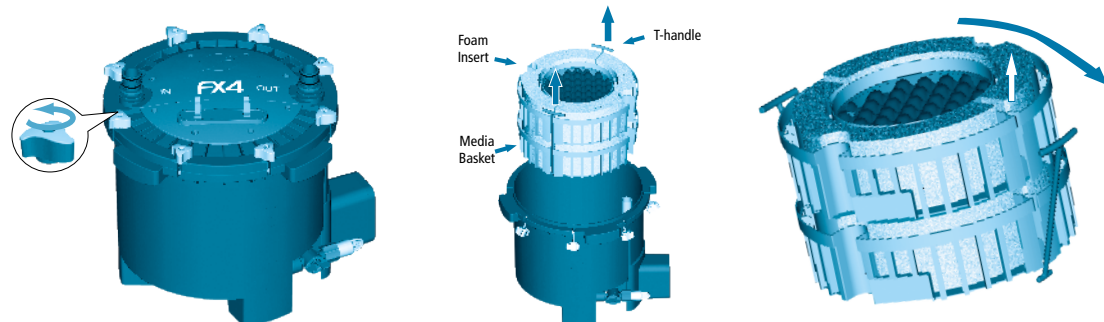
IMPORTANT: Hosing should follow a straight path from the filter to the aquarium rim, with no slack and no loops. If the hose is too long, the filter will not work efficiently.

 - Place the valve end of the hosing at the approximate spot where it will be positioned on the filter lid (once the filter is installed).
 - Stretch out the hosing so it rests over the "output" rim bracket.
 - At a spot at least 6 in. (15cm) beyond the aquarium rim, use a utility knife to cut the hosing. Do not cut it too short. Remember, you can always cut it shorter during final installation, if necessary.
- Push the cut end of this "output" hosing into the rubber connector of the output nozzle. Push the hosing in by at least 1 in. (2.5cm) without twisting it.
- Place the nozzle in the tank about 1 in. (2.5cm) below the water line.
- Fasten the hosing to the "output" bracket using the three rim connector clips.



6. Prepare the filter

1. Loosen and disengage the eight lid fasteners.
2. Remove the filter lid and set it aside. Be careful not to damage the inlet stem connected to the lid.
3. Using the red T-handles, lift the media baskets from the filter canister. The T-handles will fall outward so the baskets can be handled separately. The images below are referred to FX4; FX6 has an additional basket.



4. Rinse baskets, media trays and media materials under running tap water to remove any dust, and place media back in their original position. Or, if you prefer, select other media of your own choosing.

IMPORTANT: To prevent particles from entering the impeller chamber, blocking and/or damaging the impeller, all loose granule filter material (Carbon, Zeo-Carb, Ammonia Remover, Peat Granules, etc.) must be placed in a filter media bag. Please use the bags at the bottom basket for these filtering media. NEVER overfill baskets. Leave at least 0.5 in. (1cm) of free space from the top of the baskets to the media, so the baskets will fit together properly. If the red tray is present, the media at the bottom of the basket must not exceed the height of the tray supports in the basket.

5. Make certain that each kind of media is positioned at the same level it was packaged in, unless you are deliberately choosing a different filtration plan than the recommended setup.
6. Stack the baskets, carefully aligning them, so that all shapes match. Re-insert the T-handles into their vertical slots, and replace the baskets in the filter canister. The foam in the upper basket should be just about even with the top edge of the canister (the output tube, which is affixed to the inside of the canister, will be protruding slightly).

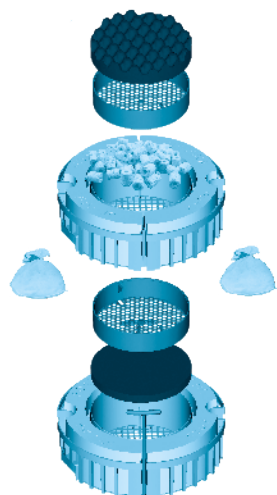
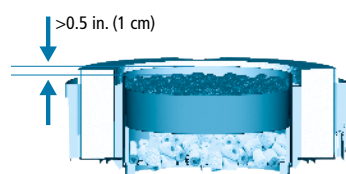
7. Move the filter canister to its final position.
8. Be certain the utility valve is in the vertical (closed) position.
9. Pour at least 1.6 gallons (6 liters) for FX4 and 2 gallons (8 liters) for FX6 of water into the filter canister.

IMPORTANT: Correct water volume is necessary for system priming.

10. Place the filter lid back on the canister. Check to make sure the filter lid seal ring is present and installed properly on the canister lid. There is only one orientation possible. Gently press the lid down until the output tube is firmly seated in the OUT connection on the filter lid.

IMPORTANT: If the inlet tube attached to the canister lid has slipped out of its seat, be sure to fully re-insert it under the IN connection of the lid.

11. Replace and hand-tighten the eight lid fasteners. The lid is properly closed when it is in direct contact with the canister. DO NOT USE ANY TOOLS, AS DOING SO MAY DAMAGE THE UNIT.



FX4 Shown

7. Install the Filter

1. Once the filter unit is in its final position, make sure that the aquarium has the appropriate amount of water.

IMPORTANT: Before proceeding, check the Installation Requirements at section #3 of "Installation and Use" chapter.

2. Grasp the intake valve (which is at the end of the hosing attached to the intake tube); slide it onto the IN connection on the filter lid, and press until it clicks into place.
3. Grasp the output valve (which is at the end of the hosing attached to the output nozzle); slide it onto the OUT connection on the filter lid, and press until it clicks into place.
4. Be certain both valves are locked in place before proceeding.



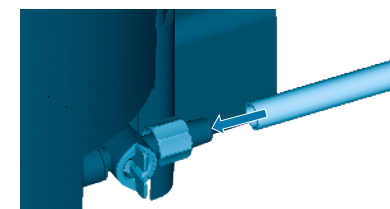
8. Install the Utility Valve hosing

The utility valve at the base of the unit and its hosing allow to:

- Discharge the water inside the filter to make it lighter for moving it.
- Change aquarium water: empty and refill.
- Use the FX gravel cleaner kit (sold separately).

To install the utility hosing proceed as follows:

1. Be certain the utility valve is in the closed (vertical) position; turn the lock nut clockwise to loosen it, then remove the rubber cap.
2. Attach one end of the supplied hose to the utility valve. Turn lock nut counterclockwise while you are pushing the hose in the valve direction.
3. Attach the other end of the hose to the clips on the lid.



WARNING: It is important to leave the valve in the OFF position when not in use. An open valve will result in an immediate water spill.

9. Start the filter

1. Check your installation.

Before turning the filter on, be sure that:

- A. The utility valve is in the closed (vertical) position.
- B. All top lid fasteners are well tightened.
- C. The intake strainer is fully submerged in water.
- D. There are at least 1.6 gallons (6 liters) for FX4 and 2 gallons (8 liters) for FX6 of water in the canister.

VERY IMPORTANT: You need to know that as soon as the unit is plugged in, it will start, and will immediately go through its automatic priming sequence.

2. Open the IN & OUT valve levers placing them in the vertical position.

3. Plug the unit into an electrical outlet.

The electronic automatic priming sequence will begin. This is what will happen:

E. The pump will run for 1 minute to fill the filter canister with aquarium water.

F. The pump will stop for 2 minutes to evacuate air from the filter canister.

G. The pump will start again; it will remain on and will run continuously until it is unplugged.

This sequence will repeat itself every time the unit is unplugged and plugged back in.

Every 12 hours the pump will stop for 1 minute to evacuate any air that may have become trapped inside the unit.



FLUVAL FX SPECIFICATION

	FX4		FX6	
Aquarium Capacity:	250 gallons	1,000 liters	400 gallons	1,500 liters
Pump Output:	700 g/h	2650 l/h	925 g/h	3,500 l/h
Mechanical Area (Foam)	217 in. ²	1,400 cm ²	325.5 in. ²	2,100 cm ²
Biological Volume:	1 gallon	3.9 l	1.5 gallons	5.9 l
Filtration Volume:	3.7 gallons	14 l	5.28 gallons	20 l
Filter Circulation*:	450 g/h	1,700 l/h	563 g/h	2,130 l/h
Head Height (max.):	6.9ft	2.1 m	10.8ft	3.3 m
Wattages 120V/60Hz:	30W		43W	
Wattages 230-240V/50Hz:	30W		41W	

*Note: Flow rates were measured with intake and output hoses of the same length and without media.

CAUTION: Always unplug any appliances from an outlet when not in use, before putting on or taking off parts, and before cleaning. Never yank cord to pull plug from outlet. Grasp the plug and pull to disconnect.

IMPORTANT

To ensure optimal and proper functioning of your Fluval FX External Filter, regular maintenance is required. Failure to do so may result in the failure of the filter and will invalidate your warranty. Additionally, regular cleaning and maintenance will greatly reduce or completely prevent faults and reduction in performance. Please refer to the maintenance schedule below.

MAINTENANCE FREQUENCY CHART

COMPONENTS	MONTHLY	EVERY 3 MONTHS	EVERY 6 MONTHS	YEARLY
Magnetic impeller		Check & Clean		Replace
Motor Seal Ring		Check & Clean		Replace
Intake Stem/Strainer		Check & Clean		
Ribbed Hosing			Check & Clean	
Mechanical Foam	Check & Clean		Replace half quantity	
Bio-Foam		Check & Clean	Replace	
BIOMAX	Rinse		Replace half quantity	
Carbon Pad	Replace			
Canister (inside)*	Check & Clean			

AQUARIUM MAINTENANCE

FX filters allow you to make an easy and efficient maintenance of your aquarium.

Gravel cleaning

For this operation we recommend you to use the FX gravel cleaning kit. Please refer to the instructions included with your FX Gravel Cleaning Kit. (Sold Separately)

Water changing

For this operation please refer to the plastic instruction sheet included with your filter.

*** IMPORTANT:** During these operations, air may get trapped inside the canister that can shake the dirt onto the bottom. If you have not done regular maintenance of the inside of the canister as recommended by the maintenance frequency chart, some particles may get flushed back into the aquarium.

CAUTION: Always unplug any appliances from an outlet when not in use, before putting on or taking off parts, and before cleaning. Never yank cord to pull plug from outlet. Grasp the plug and pull to disconnect.

FILTER MAINTENANCE

Prior to periodic maintenance the canister must be drained.

1. Drain the filter

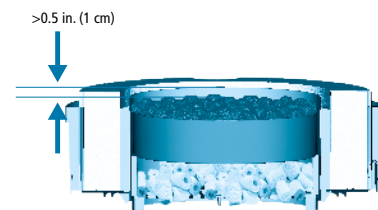
1. Turn the IN and OUT valves in sequence to the closed (horizontal) position.
2. Unplug the pump from the electrical power supply.
3. Remove the utility hose from the clips on the lid and position its end in an appropriate basin or discharge drain.
4. Turn the utility valve to the open (horizontal) position by turning it counterclockwise. Then disconnect the OUT valve.
5. Water will immediately begin to drain from the canister. Since this is a gravity fed method, water will stop draining once the water level in the canister and drain bucket equalize. Once this happens simply close the valve and empty the bucket. Repeat the draining process until enough water is removed to make the canister light enough to carry to your work area.

2. Disassemble the unit

1. Move the filter to an appropriate area convenient for maintenance.
2. Loosen and remove the eight lid fasteners; remove the filter lid and set aside. Be careful not to damage the inlet stem connected to the lid.
3. Using the red T-handles, lift the media baskets from the filter canister; let the T-handles fall out of their slots, and separate the baskets.

3. Cleaning or replacing media

1. Remove all foam inserts from the media baskets and trays, rinse using aquarium or de-chlorinated tap water, or replace with new foam, as required.
2. Rinse biological media with aquarium water, or replace, as required.
3. Replace chemical media, as needed. Chemical media cannot be cleaned.
4. Empty and rinse the filter canister. NEVER use soap or detergents when cleaning the canister or rinsing the baskets and trays, as remaining traces of cleaning products may damage sensitive fish tissue.
5. NEVER overfill baskets. Leave at least 0.5 in. (1cm) of free space from the top of the baskets to the media, so the baskets will fit together properly. If the red tray is present, the media at the bottom of the basket must not exceed the height of the tray supports in the basket.



CAUTION: Always unplug any appliances from an outlet when not in use, before putting on or taking off parts, and before cleaning. Never yank cord to pull plug from outlet. Grasp the plug and pull to disconnect.

4. Pump care

FX4 IMPELLER MAINTENANCE

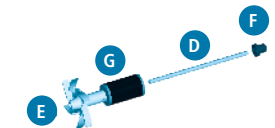
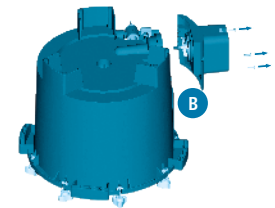
The impeller well has an effective self-cleaning feature. However it is recommended that you remove the motor and inspect the impeller as part of your routine maintenance. Keeping the impeller clean lengthens its life and the life of the motor. Prior to performing pump care the FX4 Filter must be completely emptied of water, media baskets, and media.

1. To remove the pump unit:

- A. Place the filter unit upside down on a secure work area so that the pump screws and screw seats are visible. Remember that the output tube protrudes slightly from the top rim of the canister. Be sure not to bend or damage the tube while it is upside down.
- B. Unscrew the 3 fixing screws using a Phillips screwdriver (cross headed). Screws are located around the motor housing.
- C. Remove the impeller assembly by grasping the fan and drawing it gently from the well.

NOTE: There are 4 parts to the impeller:

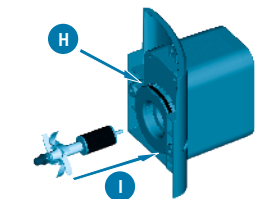
- D. Impeller shaft. The impeller shaft is held on both sides of the impeller well by two rubber bushings. The shaft can be easily extracted by hand with care.
- E. Front rubber bushing. If it remains in the red part of the canister, it's necessary to remove it keeping attention to not damage it.
- F. Rear rubber bushing. If the rubber bushing remains in its place, it's not necessary to remove it.
- G. Impeller assembly (Magnet + impeller fan)



2. Clean the impeller and the impeller well thoroughly by rinsing with clear running water.

3. Re-assemble all pump components with care:

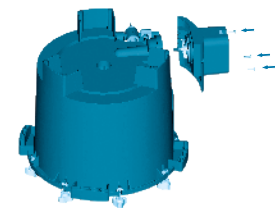
- H. Replace seal ring if necessary: Remove it from the loophole. Please refer to the "maintenance frequency chart". For this operation do not use any tools because there is a risk of damage to the O-ring.
- I. Re-assemble all parts in the following order: Rear rubber bushing at the bottom of the well (if removed), ceramic shaft (pushing it until it stops); subsequently the impeller assembly and at the end the front rubber bushing at the top of the ceramic shaft. The shaft can be easily reinserted by hand; however, pay close attention and be certain the rubber bushing does not become unseated.



4. Replace the pump unit with care into the canister and affix it using the 3 fixing screws with a Phillips screwdriver (cross headed). While re-assembling the pump, the 3 fixing screws should be gently screwed in until pump motor cover and canister are securely attached.

NOTE: Do not over tighten housing to canister.

IMPORTANT: Be sure that the seal ring does not slip out of its seat.



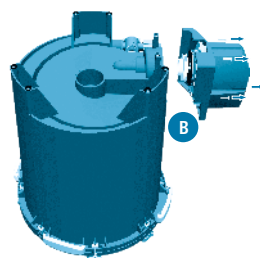
CAUTION: Always unplug any appliances from an outlet when not in use, before putting on or taking off parts, and before cleaning. Never yank cord to pull plug from outlet. Grasp the plug and pull to disconnect.

FX6 IMPELLER MAINTENANCE

The impeller well has an effective self-cleaning feature. However it is recommended that you remove the motor and inspect the impeller as part of your routine maintenance. Keeping the impeller clean lengthens its life and the life of the motor. Prior to performing pump care the FX6 Filter must be completely emptied of water, media baskets, and media.

1. To remove the pump unit:

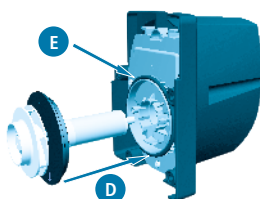
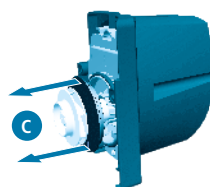
- A. Place the filter unit upside down on a secure work area so that the pump screws and screw seats are visible. Remember that the output tube protrudes slightly from the top rim of the canister. Be sure not to bend or damage the tube while it is upside down.
- B. Unscrew the 4 fixing screws using a Phillips screwdriver (cross headed). Screws are located around the motor housing.
- C. Remove the impeller assembly by grasping its flange (black disc).



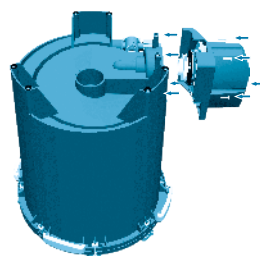
2. Clean the impeller and the impeller well thoroughly by rinsing with clear running water.

3. Re-assemble all pump components with care:

- D. Align the two arrows on the impeller assembly. Before inserting the impeller, gently press the magnet against the flange to be sure that the flange bushing is fully in its seat.
- E. Replace seal ring if necessary. Please refer to the Maintenance Frequency Chart.



4. Re-attach the pump unit to the canister using the 4 fixing screws with a Phillips screwdriver (cross headed). While re-assembling the pump, the 4 fixing screws should be gently screwed until pump motor cover and canister are securely attached. Note: Do not over tighten housing to canister.



IMPORTANT: Be sure that impeller bearing (bushing and O-Ring) is correctly placed at the bottom of the impeller well. Though the bushing is made of very resistant material, it is prone to wearing in certain conditions. For this reason, it is recommended that you replace it whenever the impeller unit is replaced. Follow the instructions provided with the replacement parts package. For any details, please refer to the Maintenance Frequency Chart.

IMPORTANT: Be sure that the seal ring does not slip between the impeller flange and the motor and that the impeller bearing (bushing and O-Ring) is correctly placed at the bottom of the impeller well.

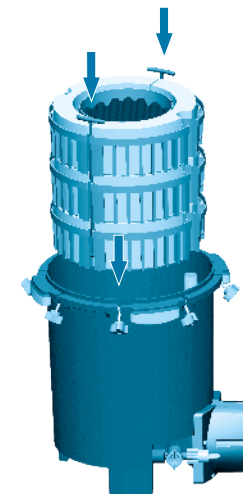
CAUTION: Always unplug any appliances from an outlet when not in use, before putting on or taking off parts, and before cleaning. Never yank cord to pull plug from outlet. Grasp the plug and pull to disconnect.

5. Re-assemble the unit

1. Stack the baskets, aligning them so all shapes match. Re-insert the T-handles into their vertical slots, and lower the baskets into the filter canister. Foam in upper basket should be just about even with the top edge of the canister.

2. Replace filter lid.

- A. Inspect the lid gasket for wear and tear.
- B. Place filter lid back on canister. There is only one orientation possible. Gently press the lid down until the output tube, affixed to the inside of the filter canister, is firmly seated in the output (OUT) valve lid opening.



IMPORTANT: If the inlet tube attached to the canister lid has slipped out of its seat, be sure to fully re-insert it under the IN connection of the lid.

3. Replace and hand-tighten the eight lid fasteners. The lid is properly closed when it is in direct contact with the canister. **DO NOT USE ANY TOOLS, AS DOING SO MAY DAMAGE THE UNIT.**

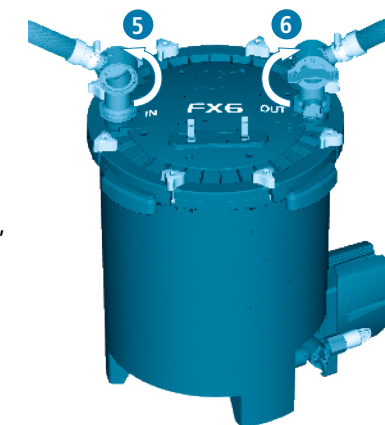
4. Place the IN and OUT valves back on the lid connectors and press firmly until they click into place. Be sure the IN valve is connected to the hose attached to the intake strainer, and the OUT valve is connected to the hose attached to the output nozzle.

5. Open the IN valve (turn to vertical position).

6. With the IN valve already open, open the OUT valve. Do not change this sequence, or the canister will not refill properly. If the canister is no longer primed, see "Start the Filter".

7. You will be able to hear water filling the canister. Meanwhile, air will be forced through the output nozzle, causing bubbling and agitation in the aquarium. Once the bubbling in the aquarium stops, plug the power cord back in. The pump will resume its normal stop/start sequence as described in "Start the Filter."

Any other servicing should be performed by an authorized service representative.



FLUVAL FX4

QUESTIONS? If you have a problem or question about the operation of this product, please let us try to help you before you return the product to your dealer. Most problems can be handled promptly with a phone call. Or, if you prefer, you can contact us on our web site at www.fluvalaquatics.com. When you call (or write), please have all relevant information, such as model number and/or part numbers available.

USA

CALL US ON OUR TOLL-FREE NUMBER:
1-800-724-2436 between 8:30 a.m. and
4:00 p.m. Eastern Standard Time.
Ask for Customer Service.

FOR AUTHORIZED GUARANTEE REPAIR SERVICE:

Return with dated receipt and \$4.00 for postage and
handling to:
Consumer Repairs
Rolf C. Hagen (USA) Corp
305 Forbes Blvd
Mansfield, MA 02048

CANADA

CALL US ON OUR TOLL-FREE NUMBER:
1-800-554-2436 between 9:00 a.m. and
4:00 p.m. Eastern Standard Time.
Ask for Customer Service.

FOR AUTHORIZED GUARANTEE REPAIR SERVICE:

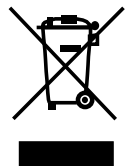
Return with dated receipt and \$4.00 for postage and
handling to:
Rolf C. Hagen Inc.
Service and Repair
20500 Trans Canada Hwy
Baie d'Urfé, Québec H9X 0A2

UK

Helpline Number 01977 521015.
Between 9:00 AM and 5:00 PM,
Monday to Thursday and 9:00 AM and
4:00 PM on Friday
(excluding Bank Holidays).
Ask for Customer Service.

FOR AUTHORISED WARRANTY SERVICE please return (well packaged and by registered post) to the address below enclosing dated receipt and reason for return.

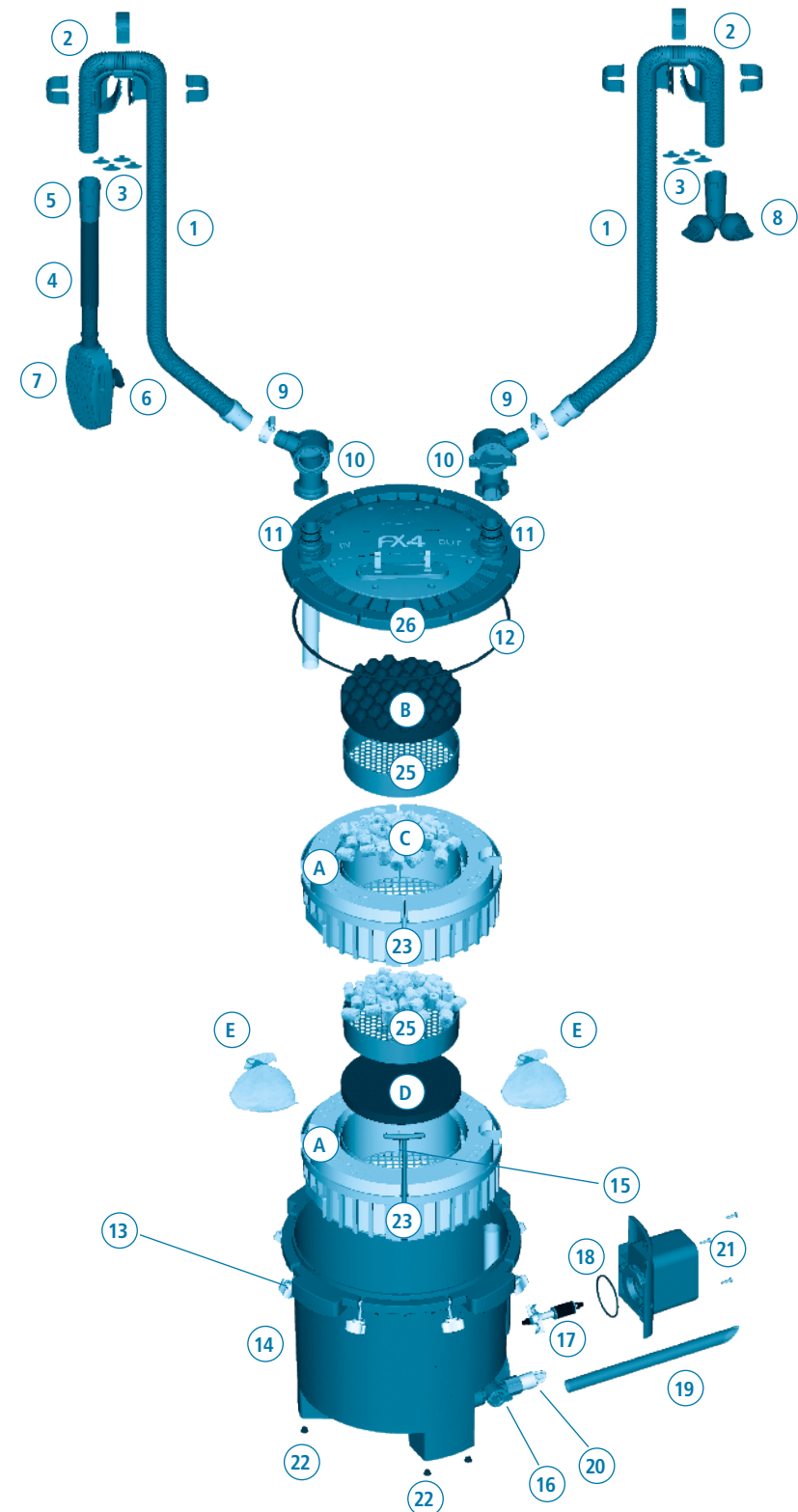
Customer Service Department
Rolf C. Hagen (UK) Ltd
California Drive, Whitwood Ind Est., Castleford
West Yorkshire WF10 5QH

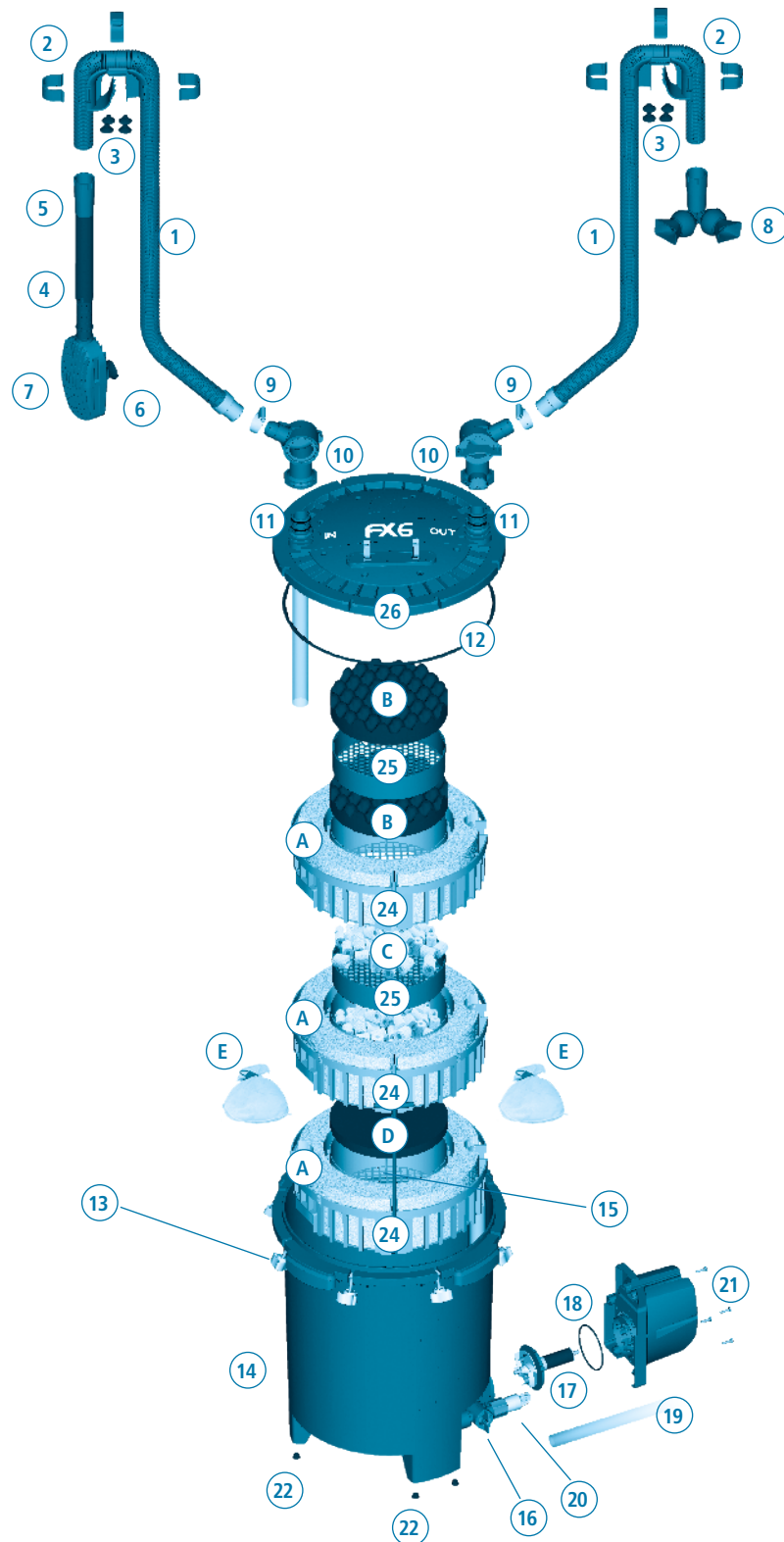


RECYCLING: This symbol bears the selective sorting symbol for waste electrical and electronic equipment (WEEE). This means that this product must be handled pursuant to European Directive 2012/19/EU in order to be recycled or dismantled to minimize its impact on the environment. Check with your local Environmental Agency for possible disposal instructions or take to an official council registered refuse collection point. Electronic products not included in the selective sorting process are potentially dangerous for the environment and human health due to the presence of hazardous substances.

Three Year Warranty

The Fluval FX4/FX6 Canister Filter is guaranteed against defects in material and workmanship under normal aquarium usage and service for 3 years from date of purchase. Non-replaceable and non-serviceable parts will be repaired or replaced at Hagen's discretion, free of charge, when the complete filter is returned with all components along with a valid proof of purchase and postage paid. This warranty does not apply to any filter that has been subject to misuse, negligence or tampering. It does not apply to filters which have been incorrectly assembled or unsuitably maintained or where installation and maintenance instructions have not been followed correctly. The warranty does not apply to wear and tear parts such as the impeller, impeller cover or motor seal. No liability is assumed with respect to loss or damage to livestock or personal property irrespective of the cause thereof. Before returning the filter under warranty terms, please ensure that all setup and maintenance instructions have been followed. If you are in doubt, please contact your local aquatic specialist retailer for further advice before returning the product. **THIS DOES NOT AFFECT YOUR STATUTORY RIGHTS.**





Pièce	Description	Quantité
1	Tuyau strié	1
2	Raccords de tuyaux au cadre (1) avec pinces (3)	2
3	Ventouses de raccord au cadre	8
4	Tube d'admission	1
5	Raccords en caoutchouc	2
6	Ventouses pour crépine d'admission	2
7	Crépine d'admission	1
8	Bec de sortie	1
9	Colliers de serrage en métal	2
10	Soupapes AquaStop	2
11	Joint torique autobloquant du couvercle	4
12	Joint torique pour couvercle	1
13	Verrou pour couvercle	8
14	Boîtier du filtre	1
15	Poignée en T	2
16	Soupape d'évacuation	1
17	Bloc de l'impulseur magnétique	1
18	Joint torique pour moteur	1
19	Tuyau pour soupape d'évacuation	1
20	Bouchon de drainage	1
21	Bloc-moteur et cordon d'alimentation électrique	1
22	Pieds en caoutchouc	6
23	Panier de filtration - FX4	2
24	Panier de filtration - FX6	3
25	Plateaux empilables pour masses filtrantes	2
26	Couvercle du filtre	1

Numéro d'article pour filtre FX4	Numéro d'article pour filtre FX6	Quantité des pièces de rechange
A20236	A20236	1
A20230	A20230	1
A20232	A20232	4
A20225	A20225	1
A20228	A20228	2
A15041	A15041	4
A20221	A20221	1
A20227	A20226	1
A20234	A20234	2
A20216	A20216	1
A20212	A20212	2
A20210	A20210	1
A20215	A20215	1
S.O.	S.O.	
A20242	A20241	1
A20219	A20219	1
A20208	A20206	1
A20211	A20207	1
A20237	A20237	1
S.O.	S.O.	
A20202	A20201	1
A20121	A20121	4
A20239		1
	A20239	1
A20243	A20243	1
S.O.	S.O.	

Pièce	Description	FX4 Quantité	FX6 Quantité	Numéro d'article pour filtre FX4	Numéro d'article pour filtre FX6	Quantité des pièces de rechange
A	Blocs de mousse	4	6	A228	A228	3
B	Masse filtrante Bio-Foam	1	2	A239	A239	2
C	Cylindres de céramique (BioMax)	2	2	A1456	A1456	1
D	Cartouche de charbon	1	1	A249	A249	2
E	Sacs de filtration	2	2	A1428	A1428	2

AVERTISSEMENT – Pour éviter toute blessure, il faut observer des précautions élémentaires de sécurité :

1. LIRE ET RESPECTER TOUTES LES CONSIGNES DE SÉCURITÉ

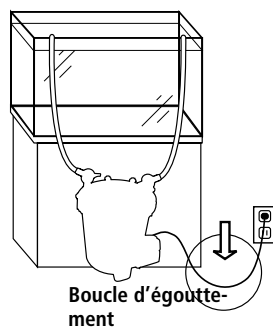
avant usage, ainsi que tous les avis importants apparaissant sur l'appareil. Tout manquement à ces précautions pourrait entraîner la perte de poissons ou des dommages à l'appareil.

2. DANGER – Pour éviter tout risque de décharge électrique, porter une attention particulière puisque de l'eau est utilisée avec l'équipement d'aquarium. Dans chacune des situations suivantes, ne pas essayer de réparer l'appareil soi-même; le retourner plutôt à un service de réparations autorisé ou le jeter.

- A. Si l'appareil tombe dans l'eau, NE PAS essayer de l'attraper! Il faut d'abord le débrancher avant de le récupérer. Si l'un des composants électriques de l'appareil se mouille, débrancher immédiatement l'appareil.
- B. Si l'appareil montre un signe de fuite anormale ou si le dispositif différentiel (ou le disjoncteur de fuite de terre) s'éteint, débrancher d'abord le cordon de la prise murale et retirer ensuite le filtre de l'eau.
- C. Examiner attentivement l'appareil après l'installation. Ne pas le brancher s'il y a de l'eau sur des pièces ne devant pas être mouillées.

D. Ne pas faire fonctionner un appareil dont la fiche ou le cordon est endommagé, qui ne fonctionne pas correctement ou qui est tombé ou a été endommagé de quelque manière que ce soit. Le cordon d'alimentation de cet appareil ne peut pas être remplacé; si le cordon est endommagé, il faut jeter l'appareil. Ne jamais couper le cordon.

E. Afin d'éviter que la fiche de l'appareil ou la prise de courant entre en contact avec de l'eau, installer l'appareil à côté d'une prise de courant murale pour empêcher l'eau de s'égoutter sur la prise ou la fiche. Une « boucle d'égouttement » (voir l'illustration) doit être formée avec le cordon d'alimentation pour relier l'appareil à la prise de courant. La « boucle d'égouttement » est la partie du cordon qui se trouve sous la prise de courant ou le raccord, si une rallonge est utilisée, afin d'empêcher l'eau de glisser le long du cordon et d'entrer en contact avec la prise de courant. Si la fiche ou la prise de courant entre en contact avec de l'eau, NE PAS débrancher l'appareil. Mettre d'abord hors circuit le fusible ou le disjoncteur qui fournit l'électricité au filtre. Débrancher ensuite l'appareil et vérifier qu'il n'y a pas d'eau dans la prise.



3. **AVERTISSEMENT** – Il est nécessaire de surveiller étroitement les enfants qui utilisent cet appareil ou qui se trouvent à proximité. Cet appareil peut être utilisé par des enfants de huit ans et plus, et par des personnes aux capacités physiques, sensorielles ou mentales réduites, ou manquant d'expérience ou de connaissances, si elles ont reçu les directives nécessaires à l'utilisation sûre de cet appareil et qu'elles comprennent les dangers inhérents. Les enfants ne doivent pas s'amuser avec cet appareil. Le nettoyage et l'entretien de l'appareil ne peuvent pas être effectués par des enfants sans surveillance.

4. Pour éviter toute blessure, ne toucher aucune pièce mobile ou chaude.

5. **ATTENTION** – Toujours débrancher de la prise de courant tous les appareils à l'intérieur de l'aquarium avant de se mettre les mains dans l'eau, d'insérer ou de retirer des pièces et avant d'installer, d'entretenir ou de manipuler l'équipement. Pour débrancher l'appareil, prendre la fiche entre les doigts, puis tirer. Ne jamais tirer sur le cordon d'alimentation pour le débrancher de la prise de courant. Toujours débrancher un appareil quand il n'est pas utilisé.

6. Cette pompe-filtre d'aquarium n'est pas submersible. Elle est conçue pour une utilisation dans un aquarium ornemental de type résidentiel. Elle peut être utilisée avec de l'eau douce ou de l'eau de mer. La température de l'eau ne doit pas dépasser 35 °C. Ne pas employer cet appareil pour un usage autre que celui pour lequel il a été conçu (c.-à-d. ne pas l'utiliser dans une piscine, une salle de bain, etc.). L'emploi de fixations ni recommandées ni vendues par le fabricant de l'appareil peut être source de situations dangereuses et annulera la garantie.

7. Cet appareil convient à un **USAGE DOMESTIQUE ET À L'INTÉRIEUR** seulement. Ne pas installer ni ranger l'appareil où il sera exposé aux intempéries ou à des températures sous le point de congélation.

8. S'assurer que l'appareil est solidement installé et que tout branchement électrique est conforme aux données apparaissant sur la plaque signalétique avant de le mettre en marche. Ne jamais faire fonctionner l'appareil à sec.

9. Si une rallonge électrique est nécessaire, vérifier qu'elle est d'un calibre suffisant. Un cordon d'alimentation de moins d'ampères ou de watts que l'appareil peut surchauffer. Il faut s'assurer de placer le cordon d'alimentation de façon à éviter qu'on tire sur la rallonge ou qu'on trébuche sur celle-ci. Le raccordement doit être effectué par un électricien qualifié.

10. CONSERVER CES INSTRUCTIONS

à des fins de consultation ultérieure.

1. Avant de commencer

- Pour obtenir les meilleurs résultats possible, remplir l'aquarium d'eau avant de commencer.
- Prévoir de 30 à 45 minutes pour la préparation et l'installation.
- Se procurer les outils suivants : un tournevis Phillips et un couteau tout usage.
- Lire toutes les instructions.

NE PAS BRANCHER LE FILTRE AVANT QUE L'INSTALLATION SOIT TERMINÉE ET QUE L'AQUARIUM SOIT REMPLI D'EAU.

2. Déballage et identification de toutes les pièces

Utiliser le schéma inclus au début du guide.

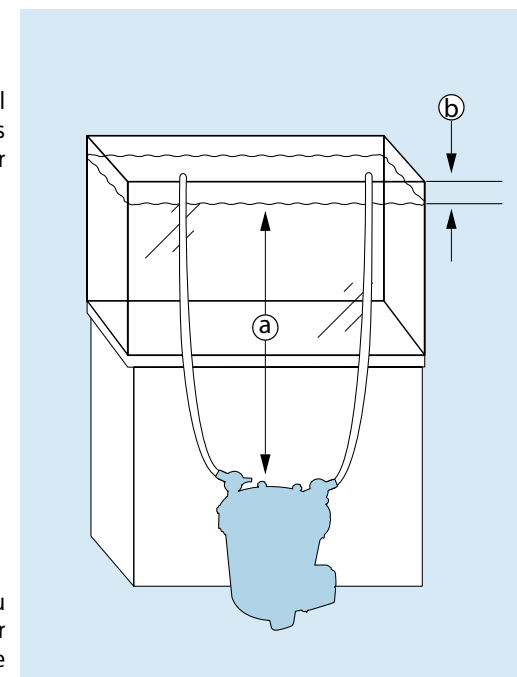
3. Préparation de l'aquarium

1. Décider de l'emplacement du filtre. Ne pas oublier qu'il s'agit d'un système par gravité. Toutes les directives d'installation ci-dessous doivent être respectées pour assurer son bon fonctionnement.

	FX4	FX6
a	min. de 20 à 150 cm	min. de 20 à 150 cm
b	max. 20 cm	max. 20 cm

IMPORTANT :

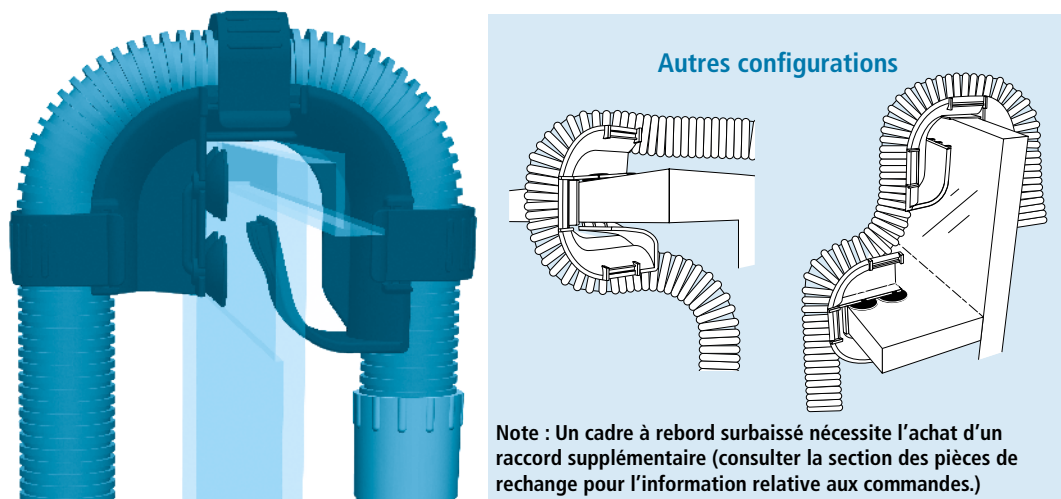
- Ne JAMAIS installer le filtre au-dessus du niveau de l'eau.
- Le tuyau fourni avec le filtre mesure 4 m (13,1 pi). Si un tuyau plus long est requis, le tuyau d'entrée d'eau ne doit pas mesurer plus de 2 m (6,5 pi) et la longueur totale des tuyaux d'entrée et de sortie d'eau combinés ne doit pas dépasser 5 m (16,4 pi).
- **Le tuyau doit suivre un chemin direct, du filtre jusqu'au cadre de l'aquarium, sans jeu ni boucle.**
- Pour obtenir les meilleurs résultats possible, le filtre doit être installé au-dessous de l'aquarium (tel qu'illustré dans l'image).
- Placer la soupape d'évacuation de façon à pouvoir attacher le tuyau fourni sans avoir à bouger le filtre.



- Placer les deux raccords de tuyaux au-dessus de la paroi arrière de l'aquarium. Placer un raccord pour le tube d'entrée d'eau au-dessus de l'endroit désiré pour ce dernier, et un autre au-dessus de l'endroit désiré pour le bec de sortie d'eau. S'assurer que la section la plus longue de chacun des raccords est à l'intérieur de l'aquarium.

Les anneaux de caoutchouc des raccords servent à assurer que ces derniers adhèrent bien à la paroi en verre de l'aquarium. Si les parois de l'aquarium sont plus minces que 1,58 cm (5/8 po), remplacer les anneaux de caoutchouc par les quatre petites ventouses fournies.

IMPORTANT : S'assurer de placer le tube d'entrée loin de toute source d'air (pierre à air, dispositif d'aération, écumoire de protéines ou soupape de sortie d'eau). De l'air dans la crépine d'admission réduit l'efficacité du filtre.

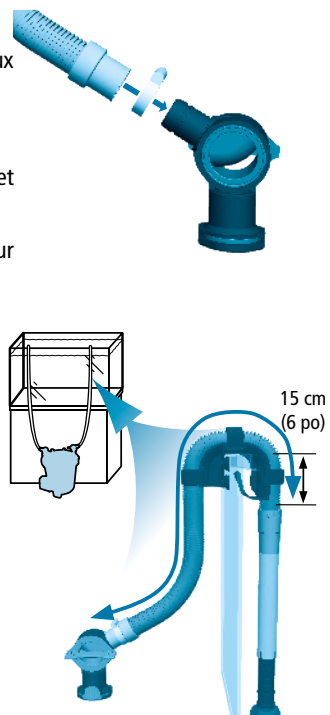


1. Préparation du branchement du tuyau d'entrée d'eau

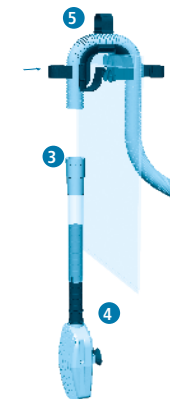
- Brancher le tuyau à l'une des deux soupapes.
 - Desserrer l'un des colliers de serrage en métal et le glisser sur l'une des deux extrémités du tuyau (la partie en caoutchouc).
 - Pousser l'extrémité du tuyau sur la soupape, aussi loin que possible.
 - Positionner le collier de serrage en métal sur le raccord en caoutchouc et serrer.
- Mesurer et couper le tuyau. Le tuyau doit pouvoir relier facilement l'intérieur de l'aquarium au boîtier du filtre.

IMPORTANT : Le tuyau doit suivre un chemin direct, du filtre jusqu'au cadre de l'aquarium, sans jeu ni boucle. Si le tuyau est trop long, le filtre ne fonctionnera pas efficacement (la longueur maximale du tuyau doit être de 2 m [6,5 pi]).

- Placer l'extrémité de la soupape du tuyau à l'endroit approximatif où le tuyau sera positionné sur le couvercle du filtre (une fois le filtre installé).
- Étirer le tuyau afin qu'il demeure au-dessus du raccord pour l'entrée d'eau.
- Utiliser un couteau tout usage pour couper le tuyau au moins 15 cm (6 po) sous le cadre de l'aquarium. Ne pas le couper trop court. Il sera toujours possible de le couper de nouveau durant l'installation finale, au besoin.



- Faire entrer la partie coupée de ce tuyau d'entrée dans le raccord en caoutchouc du tube du bloc d'entrée. Pousser le tuyau au moins 2,5 cm (1 po) vers l'intérieur du tube d'entrée, sans le tourner.
- Placer la crépine d'admission dans l'aquarium, en s'assurant qu'elle se trouve à une distance d'au moins 7,5 cm (3 po) du fond. Ajuster le tube d'admission de façon à ce que l'extension soit la meilleure possible pour votre aquarium, tout en tenant compte de l'espace requis de 7,5 cm (3 po). Une fois la crépine d'admission bien positionnée, la verrouiller en place en pressant les ventouses contre la vitre.
- Fixer le tuyau de la crépine d'admission au raccord du cadre en utilisant les trois pinces pour raccords.



5. Préparation du branchement du tuyau de sortie d'eau

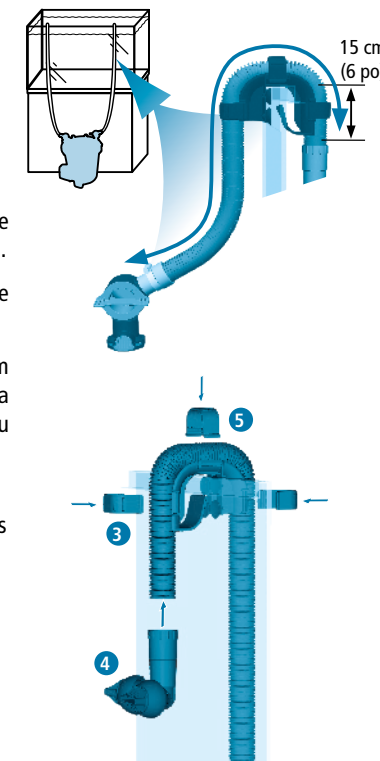
- Brancher le tuyau à la deuxième soupape (comme pour le tuyau d'entrée) :
 - Desserrer le deuxième collier de serrage en métal et le glisser sur l'extrémité usinée du tuyau (pas celle qui a été coupée).
 - Pousser l'extrémité du tuyau sur la soupape aussi loin que possible.
 - Positionner le collier de serrage en métal sur le raccord en caoutchouc et serrer.



- Mesurer et couper le tuyau. Il faut une fois de plus un tuyau assez long pour relier l'intérieur de l'aquarium au boîtier du filtre.

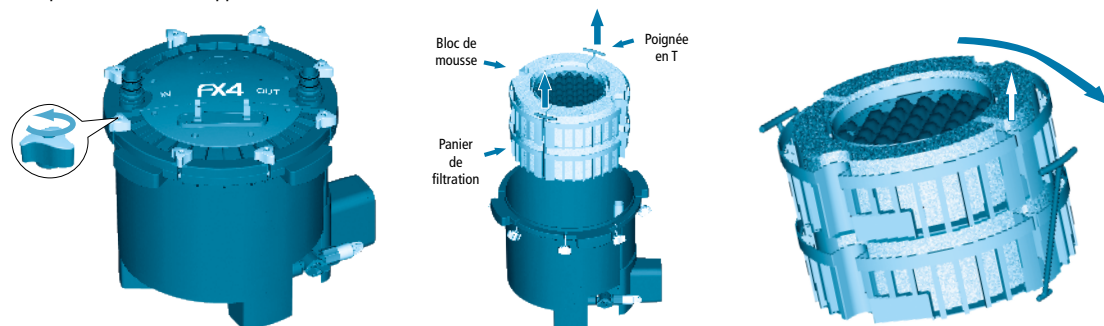
IMPORTANT : Le tuyau doit suivre un chemin direct, du filtre jusqu'au cadre de l'aquarium, sans jeu ni boucle. Si le tuyau est trop long, le filtre ne sera pas efficace.

 - Placer l'extrémité de la soupape du tuyau à l'endroit approximatif où le tuyau sera positionné sur le couvercle du filtre (une fois le filtre installé).
 - Étirer le tuyau afin qu'il demeure au-dessus du raccord pour la sortie d'eau.
 - Utiliser un couteau tout usage pour couper le tuyau au moins 15 cm (6 po) sous le cadre de l'aquarium. Ne pas le couper trop court. Il sera toujours possible de le couper de nouveau durant l'installation finale, au besoin.
- Faire entrer la partie coupée de ce tuyau de sortie dans le raccord en caoutchouc du bec de sortie. Pousser le tuyau au moins 2,5 cm (1 po) vers l'intérieur du tube d'entrée.
- Placer le bec de sortie dans l'aquarium à environ 2,5 cm (1 po) sous la surface de l'eau.
- Fixer le tuyau au raccord de sortie d'eau en utilisant les trois pinces pour raccords.



6. Préparation du filtre

1. Dévisser et désengager les huit fermoirs du couvercle.
2. Enlever le couvercle du filtre et le mettre de côté. Faire attention de ne pas endommager le tube d'entrée raccordé au couvercle.
3. À l'aide des poignées en T rouges, enlever les paniers de filtration du boîtier du filtre. Les poignées en T tomberont vers l'extérieur afin que les paniers puissent être manipulés séparément. Les images ci-dessous réfèrent au filtre FX4; le filtre FX6 contient un panier de filtration supplémentaire.



4. Rincer paniers, plateaux et masses de filtration sous l'eau du robinet pour enlever la poussière, puis remettre les masses filtrantes dans les paniers. Il est également possible d'utiliser les masses filtrantes de son choix.

IMPORTANT : Afin d'empêcher les particules d'entrer dans le puits de l'impulseur, de le bloquer ou de l'endommager, tous les matériaux de filtration en granules (charbon, masse filtrante Zeo-Carb, neutralisant d'ammoniaque, granulés de tourbe, etc.) doivent être placés dans un sac pour masses filtrantes. Utiliser les sacs dans le panier du bas pour ces masses filtrantes. NE JAMAIS faire déborder les paniers. Laisser au moins 1 cm (0,5 po) d'espace libre au-dessus des masses filtrantes, afin que les paniers s'emboîtent bien. Si un plateau rouge est utilisé, la masse filtrante au fond du panier ne doit pas dépasser la hauteur des supports du plateau dans le panier.

5. S'assurer que chacune des masses est placée au même niveau que lorsqu'elle était emballée, sauf si l'emplacement est modifiée de façon délibérée afin d'adopter un processus de filtration différent.
6. Empiler les paniers en les alignant soigneusement pour qu'ils s'emboîtent bien. Réinsérer les poignées en T en position verticale et replacer les paniers dans le boîtier du filtre. La mousse dans le panier supérieur doit être presque à la même hauteur que le rebord du boîtier (le tube de sortie d'eau, fixé à l'intérieur du boîtier, dépassera légèrement).
7. Placer le boîtier du filtre dans sa position définitive.
8. S'assurer que la soupape d'évacuation est fermée (à la verticale).
9. Mettre au moins 6 litres (1,6 gal US) d'eau dans le boîtier du filtre FX4 et 8 litres (2 gal US) dans celui du filtre FX6.

IMPORTANT : Un volume d'eau approprié est nécessaire pour faire démarrer le système.

10. Replacer le couvercle du filtre sur le boîtier. Vérifier que le joint torique du couvercle du filtre est bien en place et installé correctement. Il ne peut être installé que dans un sens. Presser doucement le couvercle jusqu'à ce que le tube de sortie soit maintenu en place fermement dans le branchement OUT du couvercle du filtre.

IMPORTANT : Si le tube d'entrée d'eau fixé au couvercle du boîtier s'est déplacé, s'assurer de le réinsérer complètement dans le branchement IN du couvercle.

11. Replacer les huit fermoirs du couvercle et les serrer à la main. Le couvercle est correctement fermé lorsqu'il touche directement au boîtier. NE PAS UTILISER D'OUTILS, CAR CELA POURRAIT ENDOMMAGER LE FILTRE.

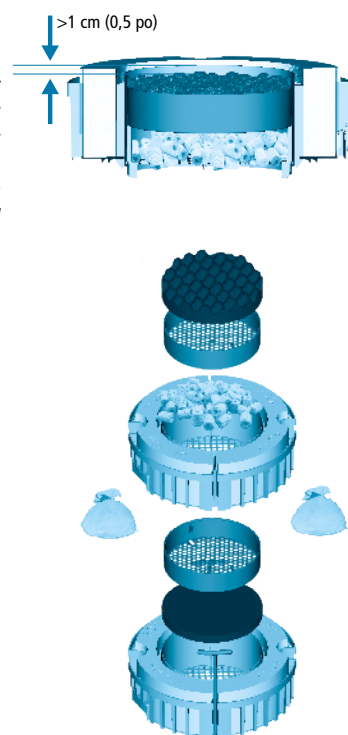


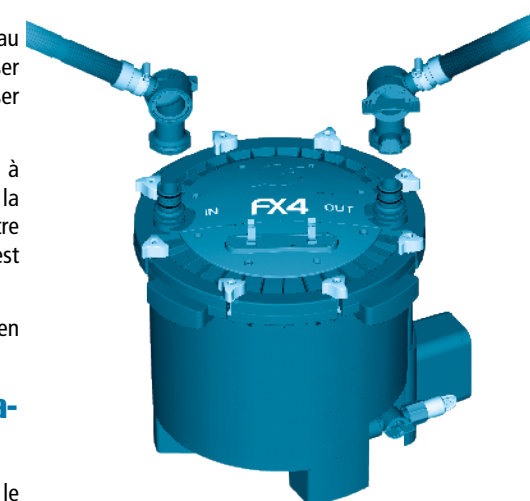
Illustration du filtre FX4

7. Installation du filtre

1. Une fois le boîtier du filtre dans sa position définitive, vérifier que l'aquarium contient la quantité d'eau appropriée.

IMPORTANT : Avant de procéder à l'installation, s'assurer que l'étape de préparation de l'aquarium (étape 3 de la section Installation et utilisation) a été respectée.

2. Prendre la soupape d'entrée d'eau (qui se trouve au bout du tuyau attaché au tube d'entrée d'eau); la glisser dans le branchement IN du couvercle du filtre et presser jusqu'à ce qu'un déclic indique qu'elle est en place.
3. Saisir la soupape de sortie d'eau (qui se trouve à l'extrémité du tuyau attaché au bec de sortie d'eau); la glisser dans le branchement OUT du couvercle du filtre et presser jusqu'à ce qu'un déclic indique qu'elle est en place.
4. Vérifier que les deux soupapes sont bien verrouillées en place avant de les actionner.



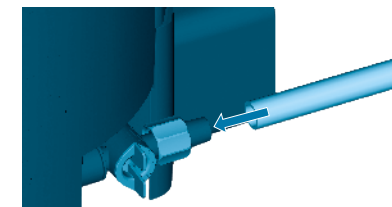
8. Installation du tuyau de la soupape d'évacuation

La soupape d'évacuation située au bas du boîtier du filtre et le tuyau permettent :

- de vider l'eau du filtre afin d'alléger ce dernier et de faciliter son déplacement
- de changer l'eau de l'aquarium : de vider l'aquarium, puis de le remplir de nouveau
- d'utiliser la trousse de nettoyage de gravier FX (vendue séparément).

Pour installer le tuyau de la soupape d'évacuation, procéder comme suit :

1. S'assurer que la soupape d'évacuation est fermée (à la verticale). Dévisser l'écrou de blocage dans le sens horaire, puis enlever le bouchon de caoutchouc.
2. Attacher l'une des extrémités du tuyau fourni à la soupape d'évacuation. Visser l'écrou de blocage dans le sens antihoraire tout en poussant le tuyau vers la soupape.
3. Brancher l'autre extrémité du tuyau aux pinces pour raccords situées sur le couvercle.



AVERTISSEMENT : Il est important de laisser la soupape d'évacuation à la position fermée quand elle n'est pas utilisée. Une soupape ouverte provoquera immédiatement un déversement d'eau.

9. Démarrage du filtre

5. Vérifier l'installation.

Avant de démarrer le filtre, s'assurer :

- A. que la soupape d'évacuation est ouverte (à la verticale);
- B. que tous les fermoirs du couvercle sont bien serrés;
- C. que la crépine d'admission est entièrement submergée dans l'eau;
- D. qu'il y a au moins 6 litres (1,6 gal US) d'eau dans le boîtier du filtre FX4 et au moins 8 litres (2 gal US) d'eau dans le boîtier du filtre FX6.

TRÈS IMPORTANT : Aussitôt branché, le filtre se mettra en marche et commencera immédiatement son amorçage automatique.

1. Ouvrir les soupapes IN et OUT en plaçant les leviers à la verticale.

2. Brancher le filtre à une prise de courant électrique.

L'amorçage automatique électronique s'enclenchera. Voici ce qui se passera :

E. La pompe fonctionnera pendant 1 minute pour remplir le boîtier avec de l'eau provenant de l'aquarium.

F. Elle s'arrêtera pendant 2 minutes pour évacuer l'air contenu dans le boîtier.

G. Elle se mettra de nouveau en marche et fonctionnera continuellement jusqu'à ce qu'elle soit débranchée.

Le même enchaînement se reproduira chaque fois que le filtre sera débranché, puis branché de nouveau.

Environ toutes les 12 heures, la pompe s'arrêtera pendant 1 minute pour évacuer l'air pouvant être retenu dans le filtre.



SPÉCIFICATIONS

	FX4		FX6	
	Contenance de l'aquarium	1 000 L	250 gal US	1 500 L
Rendement de la pompe	2650 L/h	700 gal US/h	3 500 L/h	925 gal US/h
Surface de filtration mécanique (mousse)	1 400 cm ²	217 po ²	2 100 cm ²	325,5 po ²
Volume de filtration biologique	3,9 L	1 gal US	5,9 L	1,5 gal US
Volume de filtration	14 L	3,7 gal US/h	20 L	5,28 gal US/h
Rendement du filtre*	1 700 L/h	450 gal US/h	2 130 L/h	563 gal US/h
Hauteur de la colonne (max.)	2,1 m	6,9 pi	3,3 m	10,8 pi
Puissance 120 V/60 Hz	30W		43 W	
Puissance 230-240 V/50 Hz	30W		41 W	

*Note : Les débits mentionnés ont été mesurés à l'aide de tuyaux d'entrée et de sortie d'eau de la même longueur et sans masses filtrantes.

ATTENTION : Toujours débrancher de la prise de courant tous les appareils qui ne sont pas utilisés, ainsi qu'avant d'insérer ou de retirer des pièces et de procéder au nettoyage. Ne jamais tirer sur le cordon d'alimentation pour débrancher l'appareil. Prendre plutôt la fiche entre les doigts, puis tirer.

IMPORTANT

Pour que les filtres extérieurs fonctionnent de façon adéquate et optimale, il faut les entretenir régulièrement. En effet, un manque d'entretien risque d'entraîner un mauvais fonctionnement et invalider la garantie. Nettoyer et entretenir régulièrement le filtre réduit grandement les risques de défaillance du filtre et prévient une diminution du rendement. Veuillez consulter le tableau relatif à l'entretien des pièces du filtre ci-dessous.

TABLEAU DE FRÉQUENCE DE L'ENTRETIEN

PIÈCES	TOUS LES MOIS	TOUS LES 3 MOIS	TOUS LES 6 MOIS	TOUS LES ANS
Impulseur magnétique		Vérifier et nettoyer		Remplacer
Joint torique du moteur		Vérifier et nettoyer		Remplacer
Tube et crépine d'admission		Vérifier et nettoyer		
Tuyau strié			Vérifier et nettoyer	
Mousse de filtration mécanique	Vérifier et nettoyer		Remplacer la moitié	
Mousse filtrante Bio-Foam		Vérifier et nettoyer	Remplacer	
Cylindres biologiques BIOMAX	Rincer		Remplacer la moitié	
Cartouche de charbon	Remplacer			
Intérieur du boîtier*	Vérifier et nettoyer			

ENTRETIEN DE L'AQUARIUM

Les filtres de série FX permettent d'entretenir les aquariums facilement et efficacement.

Nettoyage du gravier

Nous recommandons l'utilisation de la trousse de nettoyage de gravier FX. Se référer aux instructions comprises avec la trousse de nettoyage de gravier FX.

Changement de l'eau

Consulter la fiche d'instructions en plastique comprise dans l'emballage du filtre.

*** IMPORTANT :** Durant ces étapes, il est possible que de l'air emprisonné à l'intérieur du boîtier remue les saletés dans le fond. Si un entretien régulier de l'intérieur du boîtier n'a pas été effectué conformément aux recommandations indiquées dans le tableau de fréquence de l'entretien, des particules peuvent être rejetées dans l'aquarium.

ATTENTION : Toujours débrancher de la prise de courant tous les appareils qui ne sont pas utilisés, ainsi qu'avant d'insérer ou de retirer des pièces et de procéder au nettoyage. Ne jamais tirer sur le cordon d'alimentation pour débrancher l'appareil. Prendre plutôt la fiche entre les doigts, puis tirer.

ENTRETIEN DU FILTRE

Avant d'effectuer l'entretien périodique, il faut drainer le boîtier.

1. Drainage du filtre

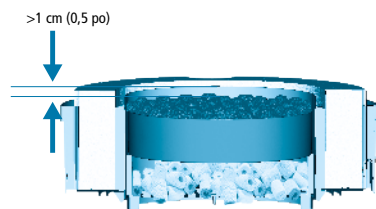
1. Tourner les soupapes IN et OUT de manière séquentielle à la position fermée (horizontale).
2. Débrancher la pompe de la prise de courant.
3. Retirer le tuyau d'évacuation des pinces du couvercle et placer son extrémité dans un bassin ou un accessoire d'égouttement appropriés.
4. Tourner la soupape d'évacuation à la position ouverte (horizontale) dans le sens antihoraire, puis déconnecter la soupape OUT.
5. De l'eau commencera immédiatement à s'évacuer du boîtier. Puisque ce procédé est alimenté par la gravité, l'eau cessera de s'égoutter lorsque les niveaux de l'eau du boîtier et du bassin de drainage seront au même niveau. À ce moment, fermer simplement la soupape et vider le récipient d'eau. Répéter le procédé de drainage jusqu'à ce que le boîtier soit assez léger pour être transporté à l'endroit nécessaire.

2. Désassemblage du filtre

1. Déplacer le filtre à un endroit commode pour l'entretien.
2. Desserrer et enlever les huit fermoirs du couvercle; retirer le couvercle du filtre et le mettre de côté. Faire attention de ne pas endommager le tube d'entrée raccordé au couvercle.
3. À l'aide des poignées rouges en T, soulever les paniers de filtration et les sortir du boîtier du filtre; laisser les poignées en T tomber des ouvertures où elles ont été insérées et séparer les paniers.

3. Nettoyage ou remplacement des masses filtrantes

1. Retirer toutes les masses filtrantes des paniers et des plateaux de filtration, les rincer avec de l'eau d'aquarium ou de l'eau déchlorée du robinet ou remplacer avec de la nouvelle mousse, au besoin.
2. Rincer la masse filtrante biologique avec de l'eau de l'aquarium ou la remplacer, selon le besoin.
3. Remplacer la masse filtrante chimique, au besoin. Celle-ci ne peut être nettoyée.
4. Vider et rincer le boîtier du filtre. Comme des traces de produits de nettoyage risquent d'endommager les tissus sensibles des poissons, NE JAMAIS utiliser de savon ni de détergents lors du nettoyage du boîtier ou du rinçage des paniers et des plateaux.
5. NE JAMAIS faire déborder les paniers. Laisser au moins 1 cm (0,5 po) d'espace libre au-dessus des masses filtrantes, afin que les paniers s'emboîtent bien. Si un plateau rouge est utilisé, la masse filtrante au fond du panier ne doit pas dépasser la hauteur des supports du plateau dans le panier.



ATTENTION : Toujours débrancher de la prise de courant tous les appareils qui ne sont pas utilisés, ainsi qu'avant d'insérer ou de retirer des pièces et de procéder au nettoyage. Ne jamais tirer sur le cordon d'alimentation pour débrancher l'appareil. Prendre plutôt la fiche entre les doigts, puis tirer.

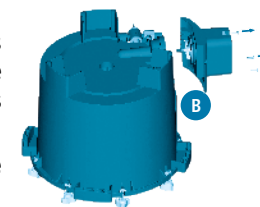
4. Entretien de la pompe

ENTRETIEN DE L'IMPULSEUR DU FILTRE FX4

Le puits de l'impulseur est muni d'une fonction autonettoyante efficace. Toutefois, il est recommandé d'enlever le moteur et de vérifier l'impulseur lors de l'entretien de routine. Conserver l'impulseur propre prolonge sa durée de vie ainsi que celle du moteur. Avant d'effectuer l'entretien de la pompe du filtre FX4, il faut retirer l'eau complètement et enlever les paniers de filtration et les masses filtrantes.

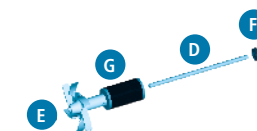
1. Pour enlever la pompe :

- A. Placer le filtre à l'envers sur une surface de travail solide afin que les vis de la pompe et leur emplacement soient visibles. Ne pas oublier que le tube de sortie dépasse légèrement du cadre supérieur du boîtier. S'assurer de ne pas plier ou endommager le tube quand il est à l'envers.
- B. Dévisser les trois vis qui fixent la pompe à l'aide d'un tournevis cruciforme (Phillips). Les vis sont situées autour du bloc-moteur.
- C. Enlever le bloc de l'impulseur en saisissant son rebord (disque noir) et en le tirant doucement du puits.



NOTE : L'impulseur est muni de quatre pièces :

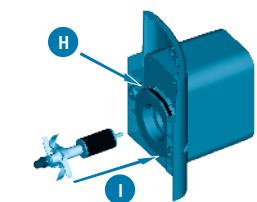
- D. L'arbre de l'impulseur, lequel est retenu de chaque côté de l'impulseur par deux bagues de caoutchouc, et peut être retiré à la main facilement et délicatement.
- E. La bague de caoutchouc antérieure, laquelle doit être enlevée avec précaution pour éviter de l'endommager, si elle reste dans la partie rouge du boîtier du filtre.
- F. La bague de caoutchouc postérieure, laquelle n'a pas besoin d'être enlevée si elle reste en place.
- G. Le bloc de l'impulseur, lequel comprend l'impulseur magnétique et l'hélice de l'impulseur.



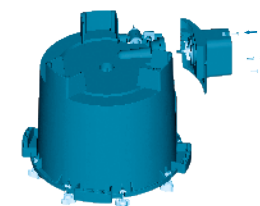
2. Bien nettoyer l'impulseur et le puits de l'impulseur en les rinçant avec de l'eau courante propre.

3. Réassembler toutes les pièces de la pompe avec soin :

- H. Remplacer le joint torique, au besoin : retirer le joint torique du point d'entrée. Se référer au tableau de fréquence de l'entretien. Ne pas utiliser d'outils, car cela pourrait endommager le joint torique.
- I. Réassembler toutes les pièces dans l'ordre suivant : la bague de caoutchouc postérieure au fond du puits (si elle a été retirée), l'arbre en céramique (le pousser jusqu'au fond); ensuite, le bloc de l'impulseur, puis finalement, la bague de caoutchouc antérieure au-dessus de l'arbre en céramique. L'arbre de l'impulseur se réinsère facilement à la main. Par contre, faire attention et s'assurer que la bague de caoutchouc ne se déplace pas.



4. Fixer la pompe au boîtier de nouveau à l'aide des trois vis et en employant un tournevis cruciforme (Phillips). Au moment de réassembler la pompe, les trois vis doivent être vissées doucement jusqu'à ce que le couvercle du moteur de la pompe et le boîtier soient solidement fixés.



NOTE : Ne pas trop serrer le couvercle.

IMPORTANT : S'assurer que le joint torique ne glisse pas de son siège.

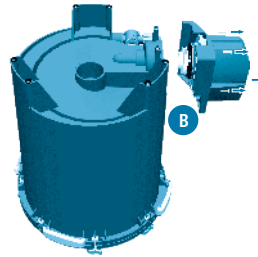
ATTENTION : Toujours débrancher de la prise de courant tous les appareils qui ne sont pas utilisés, ainsi qu'avant d'insérer ou de retirer des pièces et de procéder au nettoyage. Ne jamais tirer sur le cordon d'alimentation pour débrancher l'appareil. Prendre plutôt la fiche entre les doigts, puis tirer.

ENTRETIEN DE L'IMPULSEUR DU FILTRE FX6

Le puits de l'impulseur est muni d'une fonction autonettoyante. Toutefois, il est recommandé d'enlever le moteur et de vérifier l'impulseur lors de l'entretien de routine. Conserver l'impulseur propre prolonge sa durée de vie ainsi que celle du moteur. Avant d'effectuer l'entretien de la pompe du filtre FX6, il faut retirer l'eau complètement et enlever les paniers de filtration et les masses filtrantes.

1. Pour enlever la pompe :

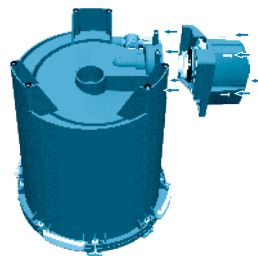
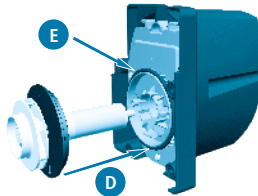
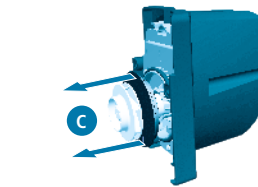
- A. Placer le filtre à l'envers sur une surface de travail solide afin que les vis de la pompe et leur emplacement soient visibles. Ne pas oublier que le tube de sortie dépasse légèrement du cadre supérieur du boîtier. S'assurer de ne pas plier ou endommager le tube quand il est à l'envers.
- B. Dévisser les quatre vis qui fixent la pompe à l'aide d'un tournevis cruciforme (Phillips). Les vis sont situées autour du bloc-moteur.
- C. Enlever le bloc de l'impulseur en saisissant son rebord (disque noir).



2. Bien nettoyer l'impulseur et le puits de l'impulseur en les rinçant avec de l'eau courante propre.

3. Réassembler toutes les pièces de la pompe avec soin :

- D. Aligner les deux flèches sur le bloc de l'impulseur. Avant d'insérer l'impulseur, presser doucement l'aimant contre le rebord pour s'assurer que la bague du rebord est bien en place.
 - E. Replacer le joint torique, au besoin. Se référer au tableau de fréquence de l'entretien.
4. Fixer la pompe au boîtier de nouveau à l'aide des quatre vis et en employant un tournevis cruciforme (Phillips). Au moment de réassembler la pompe, les quatre vis doivent être vissées doucement jusqu'à ce que le couvercle du moteur de la pompe et le boîtier soient solidement fixés. Note : Ne pas trop serrer le couvercle.



IMPORTANT : Vérifier que le coussinet de l'impulseur (bague et joint torique) est correctement placé au fond du puits de l'impulseur. Même si la bague est faite d'un matériau très résistant, elle a tendance à s'user dans certaines conditions. Pour cette raison, il est recommandé de la remplacer chaque fois que l'impulseur est remplacé. Suivre les instructions fournies avec l'emballage des pièces de rechange. Pour les détails, se référer au tableau de fréquence de l'entretien.

IMPORTANT : S'assurer que le joint torique ne glisse pas entre le rebord et le moteur de l'impulseur, et que le coussinet de l'impulseur (bague et joint torique) est bien placé au fond du puits de l'impulseur.

ATTENTION : Toujours débrancher de la prise de courant tous les appareils qui ne sont pas utilisés, ainsi qu'avant d'insérer ou de retirer des pièces et de procéder au nettoyage. Ne jamais tirer sur le cordon d'alimentation pour débrancher l'appareil. Prendre plutôt la fiche entre les doigts, puis tirer.

5 Réassemblage du boîtier

1. Empiler les paniers en les alignant soigneusement pour qu'ils s'emboîtent bien. Réinsérer les poignées en T en position verticale et replacer les paniers dans le boîtier du filtre. La mousse dans le panier supérieur doit être presque à la même hauteur que le rebord du boîtier.

2. Remettre le couvercle du filtre.

- A. Inspecter le joint torique du couvercle pour s'assurer qu'il n'est pas usé.
- B. Remettre le couvercle du filtre sur le boîtier. Il ne peut être installé que dans un sens. Presser doucement le couvercle jusqu'à ce que le tube de sortie soit maintenu en place fermement dans le branchement OUT du couvercle du filtre.

IMPORTANT : Si le tube d'entrée d'eau fixé au couvercle du boîtier s'est déplacé, s'assurer de le réinsérer complètement dans le branchement IN du couvercle.

3. Replacer les huit fermoirs du couvercle et les serrer à la main. Le couvercle est correctement fermé lorsqu'il touche directement au boîtier. **NE PAS UTILISER D'OUTILS, CAR CELA POURRAIT ENDOMMAGER LE FILTRE.**

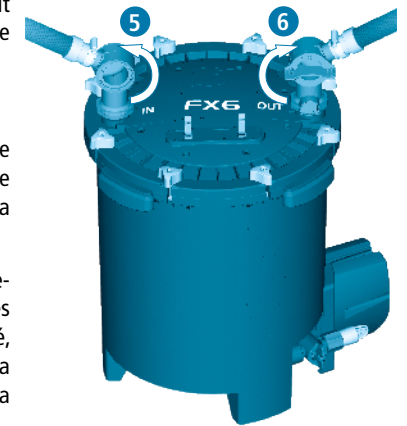
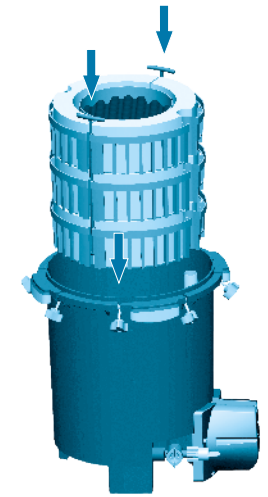
4. Replacer les soupapes IN et OUT sur les raccords du couvercle et appuyer fermement sur celles-ci jusqu'à ce qu'un déclic indique qu'elles sont bien en place. Veiller à ce que la soupape IN soit branchée au tuyau attaché à la crépine d'admission et que la soupape OUT soit reliée au tuyau attaché au bec de sortie d'eau.

5. Ouvrir la soupape IN (la tourner afin qu'elle soit à la verticale).

6. Une fois la soupape IN ouverte, ouvrir la soupape OUT. Ne pas changer cet ordre de procéder, à défaut de quoi le boîtier ne se remplirait pas correctement. Si le boîtier n'est plus amorcé, consulter la section Démarrage du filtre.

7. Le bruit de l'eau remplissant le boîtier se fera entendre. Entre-temps, l'air sera expulsé par le bec de sortie d'eau causant des bulles et de l'agitation dans l'aquarium. Une fois que les bulles ont cessé, le cordon d'alimentation peut être branché. La pompe effectuera l'enchaînement automatique de marche/arrêt comme décrit dans la section Démarrage du filtre.

Tout autre entretien doit être effectué par un représentant autorisé.



QUESTIONS? Si vous avez des questions ou des commentaires au sujet du fonctionnement de cet appareil, n'hésitez pas à communiquer avec nous avant de le retourner à votre détaillant. La plupart des problèmes peuvent être résolus rapidement par un appel téléphonique. Si vous le préférez, vous pouvez aussi nous contacter grâce à notre site Web à www.fluvalaquatics.com. Lorsque vous nous téléphonez (ou nous écrivez), veuillez nous fournir tous les renseignements pertinents tels que le numéro de modèle ou des pièces.

CANADA

TÉLÉPHONEZ-NOUS À NOTRE NUMÉRO SANS FRAIS
: 1 800 554-2436 entre 9 h et 16 h HNE.
Demandez le Service à la clientèle.

POUR RÉPARATION AUTORISÉE PAR LA GARANTIE:

Retournez l'appareil avec un reçu daté et 4 \$ pour frais de port et manutention à :

ROLF C. HAGEN INC.
Service des réparations
20500, aut. Transcanadienne
Baie d'Urfé (Québec) H9X 0A2

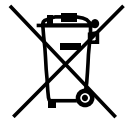
FRANCE

TÉLÉPHONEZ-NOUS À NOTRE NUMÉRO SANS FRAIS
: +33 1 64 88 14 18
Demandez le Service à la clientèle.

POUR RÉPARATION AUTORISÉE PAR LA GARANTIE:

Retournez l'appareil avec un reçu daté et 4 € pour frais de port et manutention à :

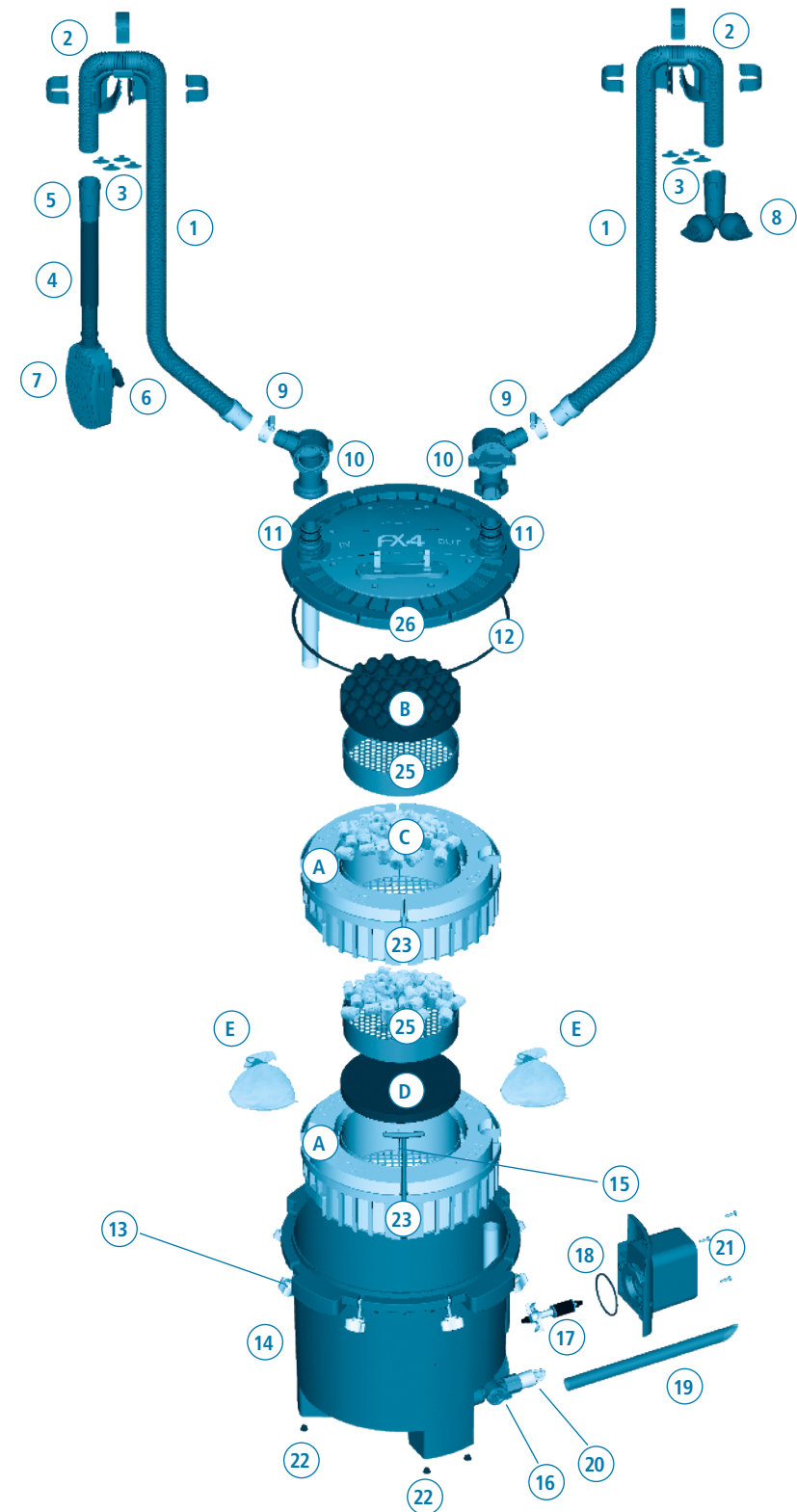
Rolf C Hagen (France) S.A.
Zone Parisud 4
Boulevard Jean Monnet
F-77388 Combs-la-ville

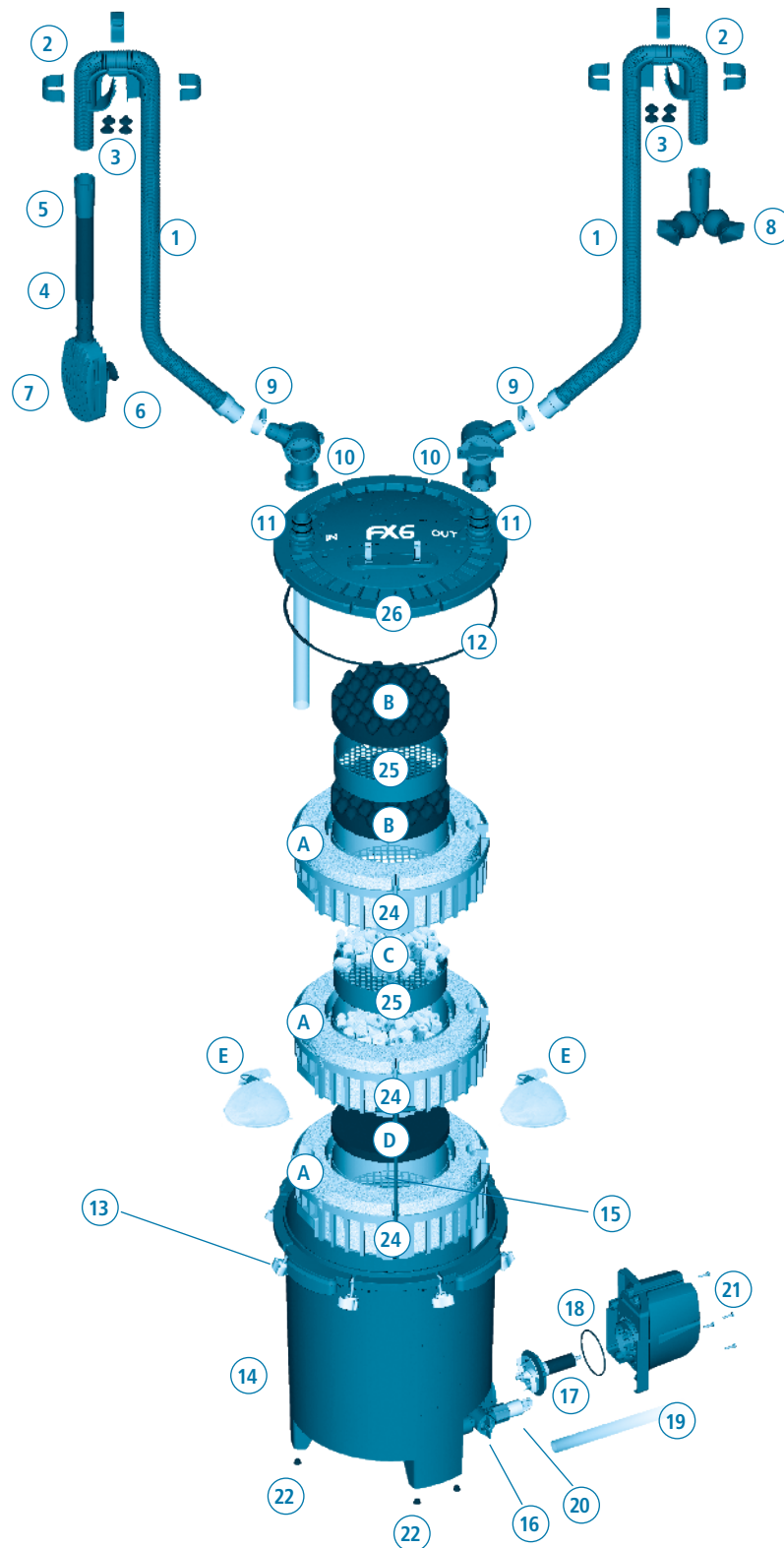


RECYCLAGE : Cet article porte le marquage de la collecte sélective des déchets d'équipements électriques et électroniques (DEEE), ce qui signifie que l'on doit éliminer ce produit conformément à la directive européenne 2012/19/UE, afin de le recycler ou de le désassembler pour minimiser ses répercussions sur l'environnement. Vérifier auprès d'agences locales pour l'environnement afin d'obtenir les instructions relatives à l'élimination des déchets ou apporter l'article dans le point de collecte agréé d'un conseil officiel reconnu. Les produits électroniques non compris dans le processus de collecte sélective sont potentiellement dangereux pour l'environnement et la santé humaine en raison de la présence de substances dangereuses.

Garantie de trois (3) ans

Les filtres FX4 et FX6 Fluval sont garantis contre tout défaut de matériaux et de fabrication dans des conditions normales d'utilisation d'un aquarium pour une période de trois (3) ans à partir de la date d'achat. La garantie de trois (3) ans s'applique à toutes les pièces non remplaçables, ce qui signifie que le filtre sera réparé ou remplacé sans frais, à la discrétion de Hagen, lorsque le filtre complet sera retourné, port payé et accompagné de tous ses composants et d'une preuve d'achat valide. La présente garantie ne s'applique à aucun filtre utilisé de façon inappropriée, avec négligence ou ayant été modifié. Elle ne s'applique pas aux filtres ayant été assemblés ou entretenus de façon inappropriée, ou pour lesquels les instructions d'installation et d'entretien n'ont pas été suivies correctement. La garantie ne s'applique pas à l'usure normale de pièces comme l'impulseur, le couvercle de l'impulseur ou le joint torique du moteur. Le fabricant ne peut être tenu responsable des pertes d'animaux ou des dommages causés aux biens personnels, quelle qu'en soit la raison. Avant de retourner le filtre conformément aux conditions de garantie, veuillez vous assurer que toutes les instructions relatives à l'installation et à l'entretien ont été suivies à la lettre. En cas de doutes, veuillez communiquer avec votre détaillant local spécialisé en aquariophilie avant de retourner l'article. **CETTE GARANTIE NE MODIFIE PAS VOS DROITS PRÉVUS PAR LA LOI.**





Teil	Beschreibung	Menge
1	Gerippter Schlauch	1
2	Rahmenbefestigung (1) und Clips (3)	2
3	Rahmenbefestigungs-Saugnapf Ø20	8
4	Ansaugrohr	1
5	Gummiverbinder	2
6	Ansaugkorb-Saugnapf	2
7	Ansaugkorb	1
8	Wasseraustrittsverbindung	1
9	Metallklemmen	2
10	AquaStop Ventile	2
11	O-Ring für die obere Abdeckung	4
12	O-Ring (Filterdeckel)	1
13	Deckelschrauben	8
14	Filterbehälter	1
15	T-Griff	2
16	Ablaufventil	1
17	Magnetlaufrad	1
18	Motordichtring	1
19	Schlauch für Ablaufventil	1
20	Abflusskappe	1
21	Pumpeneinheit (Motor) und Netzkabel	1
22	GummifüÙe	6
23	Medienkorb - FX4	2
24	Medienkorb - FX6	3
25	Stapelbare Medienkörbe	2
26	Filterdeckel	1

FX4 Teilenummer	FX6 Teilenummer	Menge Ersatzteile
A20236	A20236	1
A20230	A20230	1
A20232	A20232	4
A20225	A20225	1
A20228	A20228	2
A15041	A15041	4
A20221	A20221	1
A20227	A20226	1
A20234	A20234	2
A20216	A20216	1
A20212	A20212	2
A20210	A20210	1
A20215	A20215	1
N/A	N/A	
A20242	A20241	1
A20219	A20219	1
A20208	A20206	1
A20211	A20207	1
A20237	A20237	1
N/A	N/A	
A20202	A20201	1
A20121	A20121	4
A20239		1
	A20239	1
A20243	A20243	1
N/A	N/A	

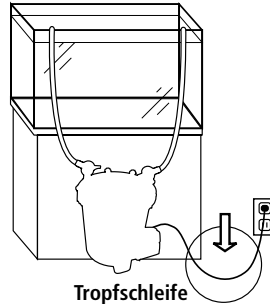
Teil	Beschreibung	FX4 Menge	FX6 Menge	FX4 Teilenummer	FX6 Teilenummer	Menge Ersatzteile
A	Schaumstoff	4	6	A228	A228	3
B	Bio-Schaumstoff	1	2	A239	A239	2
C	Keramik-Ringe (BIOMAX)	2	2	A1456	A1456	1
D	Aktivkohleeinsatz	1	1	A249	A249	2
E	Medienbeutel	2	2	A1428	A1428	2

WARNUNG – Zum Vermeiden von Verletzungen müssen unter anderem die nachfolgenden grundlegenden Vorsichtsmaßnahmen beachtet werden:

1. UND BEACHTEN SIE VOR DER VERWENDUNG ALLE SICHERHEITSHINWEISE

sowie alle wichtigen Hinweise am Gerät.
2. GEFAHR – Da die Aquariumgeräte mit Wasser arbeiten, müssen Sie besonders vorsichtig vorgehen, um Stromschläge zu vermeiden. Versuchen Sie in folgenden Situationen nicht, Reparaturen eigenständig durchzuführen, sondern senden Sie das Gerät an eine autorisierte Servicestelle zur Reparatur oder entsorgen Sie das Gerät.

- Wenn das Gerät in Wasser fällt, greifen Sie NICHT danach! Trennen Sie zuerst die Stromversorgung und holen Sie es anschließend aus dem Wasser. Falls elektrische Komponenten des Geräts nass werden, trennen Sie umgehend die Stromversorgung.
- Falls das Gerät Anzeichen für ungewöhnliche Wasserlecks aufweist oder wenn eine Fehlerstrom-Schutzeinrichtung (oder ein Fehlerstrom-Schutzschalter) deaktiviert wird, stecken Sie das Netzkabel aus und nehmen Sie die Pumpe aus dem Wasser.
- Überprüfen Sie das Gerät nach der Installation sorgfältig. Es darf nicht eingesteckt werden, wenn sich Wasser auf Teilen befindet, die nicht nass werden dürfen.
- Nehmen Sie das Gerät nicht in Betrieb, wenn das Netzkabel oder der Netzstecker beschädigt ist oder wenn das Gerät fehlerhaft ist oder fallengelassen wurde oder wenn es anderweitig beschädigt ist. Das Netzkabel dieses Geräts kann nicht ausgetauscht werden. Falls das Netzkabel beschädigt ist, muss das Gerät entsorgt werden. Schneiden Sie das Netzkabel nie ab.
- Die "Tropfschleife" ist der Bereich des Kabels unterhalb von Steckdose oder Anschluss, der verhindert, dass Wasser, welches am Kabel entlang läuft, in Kontakt mit der Steckdose kommen kann. Sollten Stecker oder Steckdose dennoch nass werden, dürfen Sie das Kabel NICHT ausstecken. Schalten Sie die Sicherung oder den Schutzschalter ab, die für die Stromversorgung des Gerätes zuständig sind. Stecken Sie anschließend das Gerät aus und prüfen Sie, ob Wasser in die Steckdose eingedrungen ist.



3. WARNUNG – Wenn das Gerät von Kindern oder in der Nähe von Kindern verwendet wird, muss die Verwendung genau überwacht werden. Das Gerät darf von Kindern ab 8 Jahren und Personen mit eingeschränkten körperlichen, sensorischen oder geistigen Fähigkeiten oder Personen mit wenig Erfahrung im Umgang mit technischen Geräten verwendet werden, wenn diese Personen vor der Nutzung des Gerätes entsprechende Bedienungsanweisungen erhalten oder sie unter Aufsicht einer Person stehen, die für ihre Sicherheit verantwortlich ist. Kinder dürfen nicht mit dem Gerät spielen. Kinder sollten das Gerät nicht unbeaufsichtigt reinigen oder warten.

- Bewegliche oder heiße Teile dürfen nicht berührt werden, um Verletzungen zu vermeiden.
- VORSICHT** – Grundsätzlich alle Geräte im Aquarium vom Stromnetz trennen, bevor Hände ins Wasser getaucht, Teile ein- bzw. abgebaut oder Geräte installiert bzw. gewartet werden. Nie am Netzkabel ziehen, um den Stecker aus der Steckdose zu ziehen. Immer am Stecker anfassen und ziehen. Geräte, die nicht benutzt werden, immer vom Stromnetz trennen.
- Dieses Gerät ist keine Aquarium-Tauchfilterpumpe. Es dient zur Verwendung in dekorativen Haushaltsaquarien. Es kann in Süß- oder Meerwasser verwendet werden. Die maximale Wassertemperatur beträgt 35 °C. Verwenden Sie dieses Gerät ausschließlich im Rahmen des vorgesehenen Verwendungszwecks (d. h.: Verwenden Sie es NICHT in Swimmingpools, in Badezimmern usw.). Die Verwendung von Anbauteilen, die nicht vom Gerätehersteller empfohlen oder verkauft werden, kann einen unsicheren Zustand nach sich ziehen und führt zum Verlust Ihrer Garantie.
- Dies ist ein HAUSHALTSGERÄT FÜR DIE PRIVATE NUTZUNG, das ausschließlich für die Nutzung in INNENRÄUMEN geeignet ist. Installieren oder lagern Sie dieses Gerät nicht an Orten, an denen es der Witterung oder Temperaturen unter dem Nullpunkt ausgesetzt ist.
- Stellen Sie sicher, dass dieses Gerät vor der Nutzung sicher installiert wurde, und dass die elektrische Verbindung den Angaben auf dem Typenschild entspricht. Die Filterpumpe darf nicht trocken laufen.
- Falls ein Verlängerungskabel erforderlich ist, muss ein Kabel mit geeigneten Stromwerten verwendet werden. Ein Kabel mit geringeren Ampere- oder Wattwerten im Vergleich zu den Gerätewerten kann überhitzen. Das Kabel muss so verlegt werden, dass nicht die Gefahr besteht, darüber zu stolpern oder es herauszuziehen.

10. BEWAHREN SIE DIESE ANWEISUNGEN

zur zukünftigen Verwendung auf.

1. Vor Beginn

- Um beste Ergebnisse zu erzielen, füllen Sie vor der Einrichtung den Wasserstand des Aquariums auf.
- Planen Sie 30 bis 45 Minuten für die Einrichtung und Installation ein.
- Benötigte Werkzeuge: Kreuzschlitzschraubendreher und Universalmesser.
- Lesen Sie alle Anweisungen.

STECKEN SIE DEN FILTER ERST EIN, SOBALD DIE EINRICHTUNG ABGESCHLOSSEN UND DIE EINHEIT MIT WASSER AUFGEFÜLLT WURDE.

2. Teile entpacken und Vollständigkeit überprüfen

Bitte beziehen Sie sich auf die Zeichnung am Anfang dieser Bedienungsanleitung.

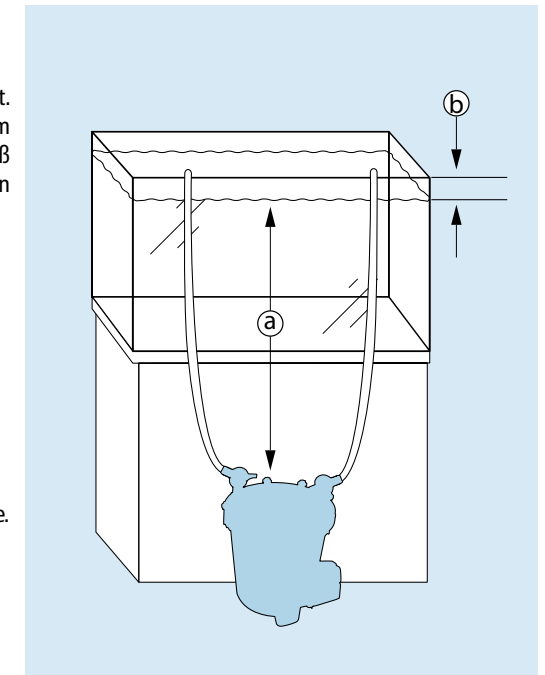
3. Vorbereitung des Aquariums

- Legen Sie den Anbringungsort des Filters fest. Denken Sie daran, dass dieses System nach dem Gravitationsprinzip arbeitet. Damit es ordnungsgemäß funktioniert, müssen die nachfolgenden Installationsanforderungen beachtet werden.

	FX4	FX6
a	min. 20 cm bis 150 cm	min. 20 cm bis 150 cm
b	max. 20 cm	max. 20 cm

WICHTIG:

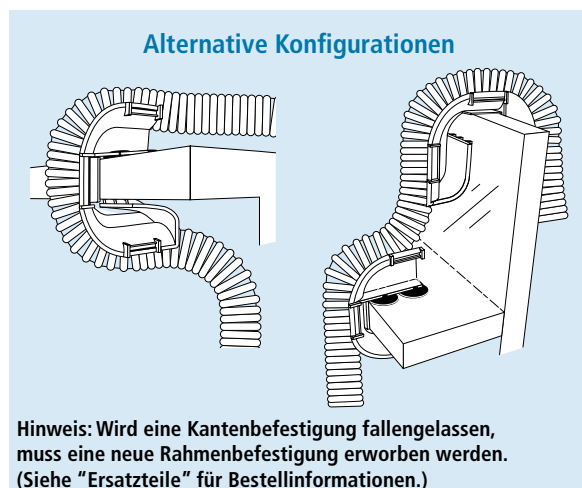
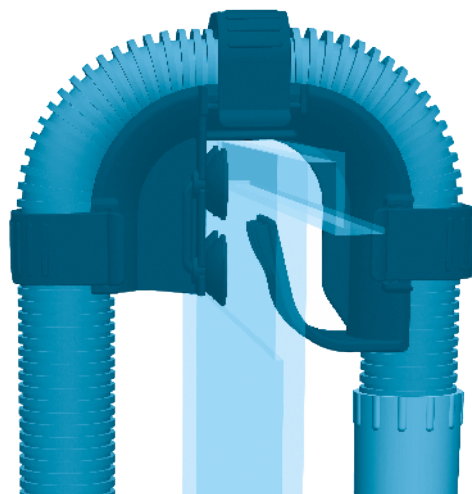
- Installieren Sie den Filter NIEMALS über der Wasseroberfläche. Der mitgelieferte Schlauch ist 4 m lang.
- Falls Sie eine größere Entfernung überbrücken müssen, beachten Sie bitte, dass der Einlassschlauch NICHT länger als 2 m sein und die Gesamtlänge von Einlass- und Auslassschlauch 5 m nicht überschreiten darf.
- Die Schläuche müssen gerade vom Filter zum Aquarienrand verlegt werden; sie sollten nicht durchhängen und nicht in sich gedreht sein.
- Um beste Ergebnisse erzielen zu können, sollte der Filter vollständig unter dem Aquarium installiert werden (siehe Abbildung).
- Positionieren Sie das Ablaufventil so, dass Sie den mitgelieferten Schlauch daran anschließen können, ohne dass Sie die Einheit bewegen müssen.



- Platzieren Sie die beiden Rahmenbefestigungsätze über das hintere obere Ende des Aquariums. Platzieren Sie einen direkt über der Stelle, an dem Sie das Ansaugrohr anbringen wollen. Platzieren Sie den anderen direkt über der Stelle, an der Sie den Wasseraustrittsstutzen anbringen wollen. Vergewissern Sie sich, dass sich das lange Ende der Halterung im Aquariuminneren befindet.

Die Gummiringe an den Befestigungsätzen sind so entwickelt, dass sie besser am Glas des Aquariumbeckens haften bleiben. Falls die Aquariumwände dünner als 1,58 cm sind, tauschen Sie den Gummiring gegen die vier kleineren mitgelieferten Saugnäpfe aus.

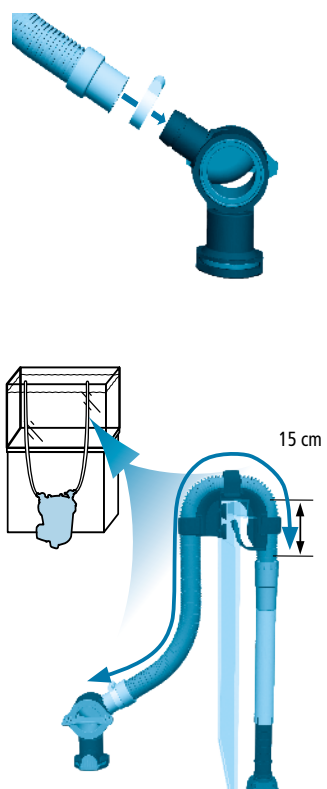
WICHTIG: Stellen Sie sicher, dass Sie das Ansaugrohr nicht in der Nähe von Luftquellen anbringen, z. B. Ausströmsteinen, Belüftungsgeräten, Proteinabschäumern oder dem Auslassventil. Luft, die in den Ansaugkorb gelangt, mindert die Effizienz des Filters.



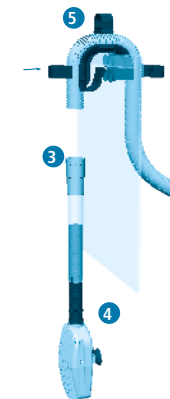
1. Vorbereitung der Einlassverbindungen

- Schließen Sie den Schlauch an eines der beiden Ventile an (mit "IN" markiert):
 - Lockern Sie eine der Metallklammern und schieben Sie sie auf ein Ende des Schlauchs (Gummiteil).
 - Drücken Sie das Ende des Schlauchs so weit wie möglich auf das Ventil.
 - Platzieren Sie die Metallklammer auf der Gummiverbindung und ziehen Sie sie fest.
- Messen Sie den Schlauch und schneiden Sie ihn zurecht. Der Schlauch sollte so lang sein, dass er problemlos vom Aquariuminneren bis zum Filterbehälter reicht.

WICHTIG: Die Schläuche müssen gerade vom Filter zum Aquarienrand verlegt werden; sie sollten nicht durchhängen und nicht in sich gedreht sein. Falls der Schlauch zu lang ist, arbeitet der Filter nicht effizient (die maximale Länge des Schlauchs beträgt 2 m).
- Platzieren Sie das Ventilende des Schlauchs auf die ungefähre Stelle, wo es auf dem Filterdeckel aufliegen wird (sobald der Filter installiert wurde).
- Drehen Sie den Schlauch so weit, dass er auf der Einlassbefestigungshalterung aufliegt.
- Schneiden Sie den Schlauch an einer Stelle, die mindestens 15 cm unter dem Aquariumrand liegt, mit einem Universalmesser ab. Kürzen Sie ihn nicht zu stark. Falls nötig, können Sie ihn bei der finalen Installation noch weiter kürzen.



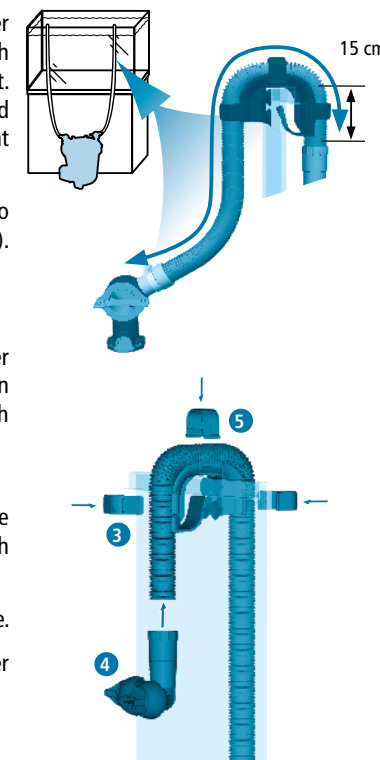
- Drücken Sie das zugeschnittene Ende des Einlassschlauchs in die Gummiverbindung am Ansaugrohr. Drücken Sie den Schlauch mindestens 2,5 cm ein, ohne ihn zu verdrehen.
- Platzieren Sie den Ansaugkorb im Tank und stellen Sie sicher, dass er sich mindestens 7,5 cm vom Aquarienboden entfernt befindet. Passen Sie das Ansaugrohr den Abmessungen Ihres Aquariums an. Lassen Sie einen Abstand von mindestens 7,5 cm zum Aquarienboden. Sobald der Ansaugkorb korrekt positioniert wurde, fixieren Sie ihn an dieser Stelle, indem Sie die Saugnäpfe fest an die Aquariumscheibe drücken.
- Befestigen Sie den Schlauch des Ansaugkorbs mit den drei Rahmenbefestigungsclips an der Rahmenbefestigung.



5. Vorbereitung der Auslassverbindungen

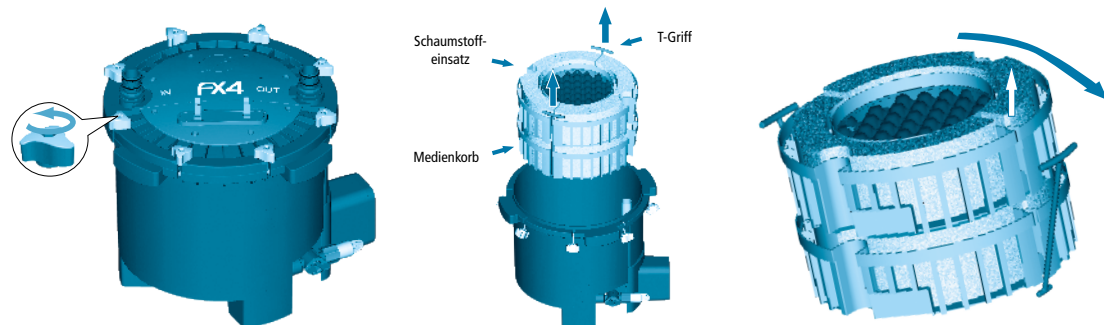
- Schließen Sie den Schlauch an das zweite Ventil an (mithilfe der gleichen Schritte wie für den Einlassschlauch):
 - Lockern Sie die zweite Metallklammer und schieben Sie sie auf das werksseitig vorbereitete Schlauchende (und nicht auf das zugeschnittene Ende).
 - Drücken Sie das Ende des Schlauchs so weit wie möglich auf das Ventil.
 - Platzieren Sie die Metallklammer auf der Gummiverbindung und ziehen Sie sie fest.
- Messen Sie den Schlauch und schneiden Sie ihn zurecht. Auch hier ist wieder eine Schlauchlänge erforderlich, mit der der Schlauch problemlos vom Aquariuminneren bis zum Filterbehälter reicht.

WICHTIG: Die Schläuche müssen gerade vom Filter zum Aquarienrand verlegt werden; sie sollten nicht durchhängen und nicht in sich gedreht sein. Falls der Schlauch zu lang ist, arbeitet der Filter nicht effizient.
- Platzieren Sie das Ventilende des Schlauchs auf die ungefähre Stelle, wo es auf dem Filterdeckel aufliegen wird (sobald der Filter installiert wurde).
- Drehen Sie den Schlauch so weit, dass er auf der Auslassbefestigungshalterung aufliegt.
- Schneiden Sie den Schlauch an einer Stelle, die mindestens 15 cm unter dem Aquariumrand liegt, mit einem Universalmesser ab. Kürzen Sie ihn nicht zu stark. Falls nötig, können Sie ihn bei der finalen Installation noch weiter kürzen.
- Drücken Sie das zugeschnittene Ende des Auslassschlauchs in die Gummiverbindung am Wasseraustrittsstutzen. Drücken Sie den Schlauch mindestens 2,5 cm ein, ohne ihn zu verdrehen.
- Platzieren Sie den Wasseraustrittsstutzen circa 2,5 cm unter der Wasserlinie.
- Befestigen Sie den Schlauch mit den drei Rahmenbefestigungsclips an der Auslasshalterung.



6. Vorbereitung des Filters

1. Lockern und entfernen Sie die acht Deckelschrauben.
2. Nehmen Sie den Filterdeckel ab und legen Sie ihn beiseite. Achten Sie darauf, dass Sie das Ansaugrohr, das am Deckel angebracht ist, nicht beschädigen.
3. Heben Sie mithilfe der roten T-Griffe die Medienkörbe aus dem Filterkanister. Die T-Griffe fallen nach außen ab, damit die Körbe separat transportiert werden können. Die folgenden Abbildungen beziehen sich auf den FX4 Filter; der FX6 verfügt über einen weiteren Korb.



4. Spülen Sie die Körbe, Medienkörbe und Medienmaterialien unter fließendem Leitungswasser ab, um Staub zu entfernen und platzieren Sie die Medien wieder an ihrer ursprünglichen Position. Sie können alternativ auch ein anderes Medium Ihrer Wahl verwenden.

WICHTIG: Um zu verhindern, dass Partikel in die Laufradkammer eindringen können, wodurch das Laufrad blockiert und/oder beschädigt werden kann, müssen alle losen Granulat-Filtermaterialien (Aktivkohle, Zeo-Carb, Ammoniak-Entferner, Torfgranulat usw.) in einen Filtermedienbeutel gegeben werden. Verwenden Sie für diese Filtermedien die Beutel im unteren Korb. Überfüllen Sie die Körbe NIE. Lassen Sie einen Abstand von mindestens 1 cm zwischen der Oberseite des Korbs und dem Medium, damit die Körbe ordnungsgemäß zusammenpassen. Falls der rote Korb verwendet wird, darf die Höhe des Mediums im unteren Korb die angegebene Maximalhöhe nicht übersteigen.

5. Stellen Sie sicher, dass für alle Medien der gleiche Füllstand wie in der Verpackung verwendet wird, es sei denn, Sie entscheiden sich bewusst für einen abweichenden Filterplan und nicht für die empfohlene Menge.
6. Stapeln Sie die Körbe aufeinander und richten Sie sie vorsichtig aneinander aus, so dass alle Formen ineinandergreifen. Stecken Sie die T-Griffe wieder in die dafür vorgesehenen vertikalen Schlitzlöcher ein und platzieren Sie die Körbe wieder im Filterbehälter. Der Schaumstoffeinsatz im oberen Korb sollte ungefähr mit dem oberen Rand des Behälters abschließen (der Auslassschlauch, der an der Innenseite des Behälters angebracht ist, steht leicht hervor).
7. Platzieren Sie den Filterbehälter an seiner endgültigen Position.
8. Vergewissern Sie sich, dass sich das Ablaufventil in der vertikalen (geschlossenen) Stellung befindet.
9. Gießen Sie mindestens 6 Liter Wasser in den Filterbehälter des FX4 und mindestens 8 Liter Wasser in den Filterbehälter des FX6.

WICHTIG: Die korrekte Wassermenge ist für die Systemspülung erforderlich. Bringen Sie den Filterdeckel wieder am Behälter an.

10. Vergewissern Sie sich, dass der Filterdeckel-Dichtring vorhanden und korrekt am Behälterdeckel angebracht ist. Es gibt nur eine Möglichkeit, ihn auszurichten. Drücken Sie den Deckel vorsichtig nach unten, bis der Auslassschlauch fest auf der AUSLASS-Verbindung am Filterdeckel aufsitzt.

WICHTIG: Falls der am Behälterdeckel angebrachte Einlassschlauch aus seiner Halterung gerutscht ist, bringen Sie ihn wieder fest an der EINLASS-Verbindung des Deckels an.

11. Bringen Sie die acht Deckelschrauben wieder an und ziehen Sie sie fest. Der Deckel ist ordnungsgemäß verschlossen, wenn er sich in direktem Kontakt mit dem Behälter befindet. **VERWENDEN SIE KEINE WERKZEUGE, DA DIESE DEN FILTER BESCHÄDIGEN KÖNNEN.**

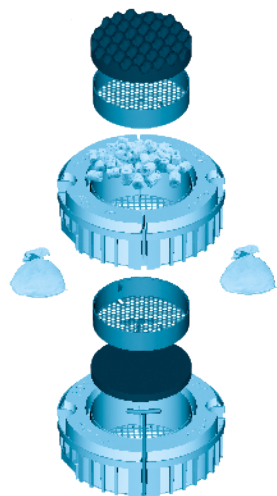
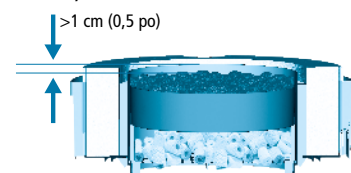


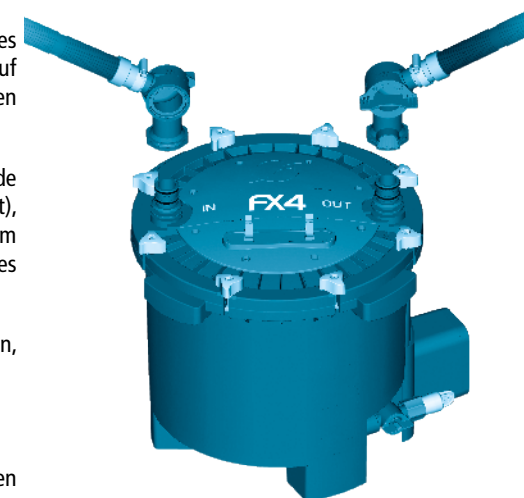
Abb. FX4

7. Installation des Filters

1. Sobald sich die Filtereinheit an ihrer endgültigen Position befindet, vergewissern Sie sich, dass das Aquarium über die benötigte Wassermenge verfügt.

WICHTIG: Bevor Sie fortfahren, beachten Sie die Installationsanforderungen in Abschnitt 3 des Kapitels "Installation und Verwendung".

2. Nehmen Sie das Einlassventil (das sich am Ende des Schlauchs am Ansaugrohr befindet), schieben Sie es auf die EINLASS-Verbindung am Filterdeckel und drücken Sie es nach unten, bis es hörbar einrastet.
3. Nehmen Sie das Auslassventil (das sich am Ende des Schlauchs am Wasseraustrittsstutzen befindet), schieben Sie es auf die AUSLASS-Verbindung am Filterdeckel und drücken Sie es nach unten, bis es hörbar einrastet.
4. Vergewissern Sie sich, dass beide Ventile festsitzen, bevor Sie fortfahren.



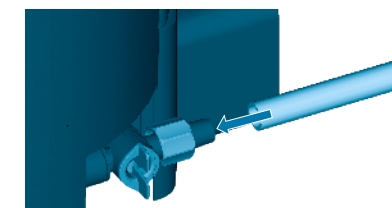
8. Installation des Ablaufventil-Schlauchs

Das Ablaufventil an der Unterseite der Einheit und dessen Schläuche werden für Folgendes verwendet:

- Ablassen des Wassers im Inneren des Filters, um ihn für den Transport leichter zu machen.
- Wechseln des Aquariumwassers: Leeren und Nachfüllen (siehe laminiertes Anweisungsblatt).
- Verwenden Sie das FX Kiesreinigerset (separat erhältlich).

Gehen Sie zum Installieren des Schlauchs für das Ablaufventil folgendermaßen vor:

1. Vergewissern Sie sich, dass sich das Ablaufventil in der geschlossenen (vertikalen) Stellung befindet. Drehen Sie die Kontermutter im Uhrzeigersinn, um sie zu lockern. Entfernen Sie anschließend die Gummikappe.
2. Schließen Sie ein Ende des mitgelieferten Schlauchs an das Ablaufventil an. Drehen Sie die Kontermutter gegen den Uhrzeigersinn und drücken Sie den Schlauch gleichzeitig in Richtung des Ventils.
3. Bringen Sie das andere Ende des Schlauchs an den Clips am Deckel an.



WARNUNG: Es ist wichtig, dass Sie das Ventil in der geschlossenen Position lassen, wenn das Gerät nicht in Betrieb ist. Ein geöffnetes Ventil würde zu einer sofortigen Wasserleckage führen.

9. Aktivieren des Filters

4. Überprüfen Sie Ihre Installation.

Bevor Sie den Filter aktivieren, überprüfen Sie Folgendes:

- A. Das Ablaufventil befindet sich in der geschlossenen (vertikalen) Stellung.
- B. Alle oberen Deckelschrauben sind fest angebracht.
- C. Der Ansaugkorb befindet sich vollständig unter Wasser.
- D. Es befinden sich mindestens 6 Liter Wasser für den FX4 und 8 Liter Wasser für den FX6 im Behälter.

WICHTIG: Beachten Sie, dass der Filter nach dem Verbinden mit der Stromzufuhr aktiviert wird und sofort die automatische Selbstansaugung startet.

1. Öffnen Sie die EINLASS- und AUSLASS-Ventilhebel, indem Sie sie auf die vertikale Stellung setzen.

2. Stecken Sie die Einheit in eine Steckdose ein.

Die elektronische, automatische Selbstansaugung wird gestartet. Dabei geschieht Folgendes:

- E. Die Pumpe läuft 1 Minute lang, um den Filterbehälter mit Aquariumwasser zu befüllen.
- F. Die Pumpe stoppt für 2 Minuten, um die Luft aus dem Filterbehälter zu entfernen.
- G. Die Pumpe startet wieder und bleibt aktiviert und läuft durchgehend, bis sie ausgesteckt wird.

Dieser Vorgang wird immer wiederholt, wenn die Einheit aus- und wieder eingesteckt wird.

Alle 12 Stunden stoppt die Pumpe eine Minute lang, um in der Einheit eingeschlossene Luft zu entfernen.



FLUVAL FX SPEZIFIKATIONEN

	FX4		FX6	
Aquariumkapazität:	250 Gallonen	1,000 Liter	400 Gallonen	1.500 Liter
Pumpenleistung:	700 g/h	2,650 l/h	925 g/h	3,500 l/h
Mechanischer Bereich (Schaumstoff)	217 in. ²	1,400 cm ²	325,5 in. ²	2.100 cm ²
Biovolumen:	1 gallon	3.9 l	1,5 gallons	5,7
Filtervolumen:	3.7 gallons	14 l	5,28 gallons	20 l
Filterzirkulation:*	450 g/h	1,700 l/h	563 g/h	2.130 l/h
Höhe (max.):	6.9ft	2.1 m	10,8ft	3,3 m
Wattleistung 120V/60Hz:	30W		43W	
Wattleistung 230–240 V/50 Hz:	30W		41W	

Die Durchflussraten wurden mit gleichlangen Einlass- und Auslassschläuchen und ohne Medium gemessen.

ACHTUNG: Trennen Sie alle Geräte von der Stromversorgung, wenn sie nicht verwendet werden, bevor Teile hinzugefügt oder entfernt werden und bevor die Geräte gereinigt werden. Ziehen Sie nie am Netzkabel, um den Stecker aus der Steckdose zu ziehen. Ziehen Sie den Netzstecker ab.

WICHTIG

Um die optimale und ordnungsgemäße Funktion Ihres Fluval FX Außenfilters zu gewährleisten, ist eine regelmäßige Wartung erforderlich. Wird dies nicht beachtet, kann es zu Ausfällen des Filters und zum Verlust Ihrer Garantie kommen. Zudem sorgen eine regelmäßige Reinigung und Wartung dafür, dass Fehler und Leistungsminderungen erheblich reduziert oder ganz ausgeschlossen werden können. Beachten Sie die unten stehenden Wartungspläne.

WARTUNGSINTERVALL-TABELLE

TEILE	MONATLICH	ALLE 3 MONATE	ALLE 6 MONATE	JÄHRLICH
Magnetlaufrad		Überprüfen und reinigen		Austauschen
Motordichtring		Überprüfen und reinigen		Austauschen
Ansaugrohr/Ansaugkorb		Überprüfen und reinigen		
Gerippter Schlauch			Überprüfen und reinigen	
Mechanischer Schaumstoff	Überprüfen und reinigen		Halbe Menge austauschen	
Bio-Schaum		Überprüfen und reinigen	Austauschen	
BIOMAX	Spülen		Halbe Menge austauschen	
Aktivkohleeinsatz	Austauschen			
Filterbehälter (Innenseite)*	Überprüfen und reinigen			

AQUARIUM-HYGIENE

Die FX Filter ermöglichen eine unkomplizierte und effiziente Wartung Ihres Aquariums.

Kiesreinigung

Hierfür empfehlen wir die Verwendung des FX Kiesreinigersets. Beachten Sie dazu die Anweisungen in Ihrem FX Kiesreinigerset.

Wasserwechsel

Beachten Sie hierfür das laminierte Anweisungsblatt, das mit Ihrem Filter geliefert wurde.

* **WICHTIG:** Während dieser Wartungen kann Luft in den Filterbehälter gelangen, die die Verunreinigungen vom Boden lösen kann. Wenn Sie die Innenseite des Behälters nicht regelmäßig gewartet haben, können einige Schmutzpartikel zurück in das Aquarium gespült werden.

ACHTUNG: Trennen Sie alle Geräte von der Stromversorgung, wenn sie nicht verwendet werden, bevor Teile hinzugefügt oder entfernt werden und bevor die Geräte gereinigt werden. Ziehen Sie nie am Netzkabel, um den Stecker aus der Steckdose zu ziehen. Ziehen Sie den Netzstecker ab.

FILTERWARTUNG

Vor der regelmäßigen Wartung muss der FX Filterbehälter entleert werden.

1. Entleerung des Filters

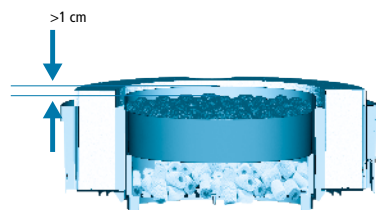
1. Drehen Sie das Einlass- und Auslassventil nacheinander in die geschlossene (horizontale) Position.
2. Trennen Sie die Pumpe vom Stromnetz.
3. Nehmen Sie den Ablaufschlauch von dem Deckel ab und positionieren Sie das Ende in einem geeigneten Becken oder Abfluss.
4. Drehen Sie das Ablaufventil in die geöffnete (horizontale) Position, indem Sie es gegen den Uhrzeigersinn drehen. Trennen Sie dann das Auslassventil.
5. Das Wasser fließt nun sofort aus dem Filterbehälter. Da dieses System nach dem Gravitationsprinzip arbeitet, hört das Wasser auf, aus dem Filterbehälter abzulaufen, sobald der Wasserstand in dem Eimer genauso hoch ist wie in dem Filterbehälter. Wenn dies eintritt, müssen Sie nur das Ventil schließen und den Eimer entleeren. Wiederholen Sie den Ablaufvorgang, bis genug Wasser abgelaufen ist und der Filterbehälter leicht genug ist und zu Ihrer Arbeitsfläche getragen werden kann.

2. Demontage der Einheit

1. Platzieren Sie den Filter an einem für die Wartung geeigneten Ort.
2. Lockern und entfernen Sie die acht Deckelschrauben, entfernen Sie den Filterdeckel und legen Sie ihn beiseite. Achten Sie darauf, dass Sie das Ansaugrohr, das am Deckel angebracht ist, nicht beschädigen.
3. Heben Sie die Medienkörbe mithilfe der roten T-Griffe aus dem Filterbehälter, lassen Sie die T-Griffe aus ihren Schlitzen fallen, und trennen Sie die einzelnen Körbe voneinander.

3. Reinigen oder Ersetzen von Medien

1. Entfernen Sie alle Schaumstoffeinsätze aus den Medienkörben, und spülen Sie sie mit Aquariumwasser oder entchlortem Leitungswasser. Falls erforderlich, ersetzen Sie die Schaumstoffeinsätze durch neue Schaumstoffeinsätze.
2. Spülen Sie biologische Medien mit Aquariumwasser oder tauschen Sie sie, falls erforderlich, aus.
3. Ersetzen Sie chemische Medien nach Bedarf. Chemische Medien können nicht gereinigt werden.
4. Leeren und spülen Sie den Filterbehälter. Verwenden Sie zum Reinigen des Behälters oder Spülen der Körbe NIE Seife, da Rückstände von Reinigungsmitteln das sensible Fischgewebe beschädigen können.
5. Überfüllen Sie die Körbe NIE. Lassen Sie einen Abstand von mindestens 1 cm zwischen der Oberseite des Korbs und dem Medium, damit die Körbe ordnungsgemäß zusammenpassen. Falls der rote Einsatz vorhanden ist, darf das Medium an der Unterseite des Korbs nicht die Höhe der Stützen im Korb übersteigen.



ACHTUNG: Trennen Sie alle Geräte von der Stromversorgung, wenn sie nicht verwendet werden, bevor Teile hinzugefügt oder entfernt werden und bevor die Geräte gereinigt werden. Ziehen Sie nie am Netzkabel, um den Stecker aus der Steckdose zu ziehen. Ziehen Sie den Netzstecker ab.

4. Pumpenwartung

WARTUNG DES FX4 LAUFRADS

Die Laufradkammer verfügt über eine effektive Selbstreinigungsfunktion. Es wird jedoch empfohlen, den Motor zu entfernen und das Laufrad im Rahmen der routinemäßigen Wartung zu überprüfen. Durch das Sauberhalten des Laufrads werden seine Lebensdauer und die Lebensdauer des Motors verlängert. Vor der Pumpenpflege müssen das gesamte Wasser, die Medienkörbe und die Medien aus dem FX4 Filter entfernt werden.

1. So entfernen Sie die Pumpeneinheit:

- A. Legen Sie die Filtereinheit mit der Oberseite nach unten auf eine sichere Arbeitsfläche, so dass die Pumpenschrauben und Schraubeneinlässe sichtbar sind. Beachten Sie, dass der Auslassschlauch leicht an der oberen Kante des Behälters hervorsteht. Biegen oder beschädigen Sie den Schlauch nicht, während er umgedreht ist.
- B. Entfernen Sie die 4 Befestigungsschrauben mit einem Kreuzschlitzschraubendreher. Die Schrauben sind um das Motorgehäuse herum angebracht.
- C. Entfernen Sie die Laufradbaugruppe, indem Sie das Flügelrad anpacken und vorsichtig aus der Kammer ziehen.

HINWEIS: Das Laufrad besteht aus 4 Teilen:

- D. Laufradachse. Die Laufradachse wird auf beiden Seiten der Laufradkammer durch zwei Gummibuchsen gehalten. Die Achse lässt sich leicht herausnehmen.

WICHTIG: Die Achse besteht aus Keramik und ist verschleißfrei. Sie ist aber zerbrechlich. Gehen Sie bei der Wartung sorgsam vor.

- E. Vordere Gummibuchse. Falls sie im rot Bereich des Behälters steckenbleibt, müssen Sie sie vorsichtig herausnehmen. Achten Sie darauf, dass sie nicht beschädigt wird.
- F. Hintere Gummibuchse. Die Gummibuchse muss nicht herausgenommen werden, falls sie nicht mit herauskommt.
- G. Laufradbaugruppe (Magnet + Laufrad)

2. Reinigen Sie das Laufrad und die Laufradkammer gründlich durch Spülen mit sauberem Leitungswasser.

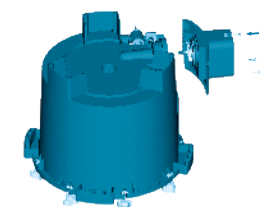
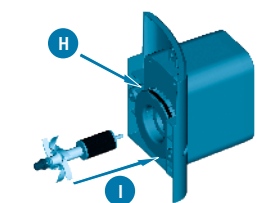
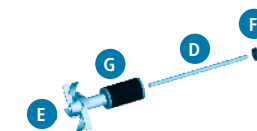
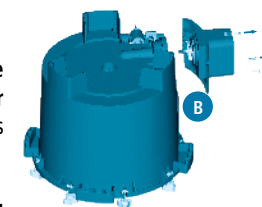
3. Setzen Sie alle Pumpenkomponenten wieder vorsichtig zusammen:

- H. Falls erforderlich, bringen Sie den Dichtring wieder an: Nehmen Sie ihn aus der Vertiefung. Beachten Sie die Wartungsintervall-Tabelle. Nehmen Sie kein Werkzeug zu Hilfe, da der O-Ring dadurch beschädigt werden könnte.
- I. Setzen Sie alle Komponenten in der folgenden Reihenfolge zusammen: Hintere Gummibuchse an der Unterseite der Kammer (falls sie herausgenommen wurde), Keramikachse (bis zum Anschlag einführen); anschließend die Laufradbaugruppe und zuletzt die vordere Gummibuchse, die oben auf die Keramikachse gesetzt wird. Die Achse lässt sich leicht von Hand wieder einsetzen. Achten Sie aber sehr genau darauf, dass die Gummibuchse dabei nicht verrutscht.

4. Bringen Sie die Pumpeneinheit vorsichtig durch Einschrauben der 3 Befestigungsschrauben mithilfe eines Kreuzschlitzschraubendrehers wieder am Behälter an. Beim Wiederausammenbau der Pumpe sollten die 3 Befestigungsschrauben vorsichtig eingeschraubt werden, bis der Pumpenmotordeckel und der Behälter fest sitzen.

HINWEIS: Ziehen Sie die Schrauben zum Verbinden des Gehäuses und Behälters nicht zu fest an.

WICHTIG: Vergewissern Sie sich, dass der Dichtring ordnungsgemäß an seiner Position sitzt.



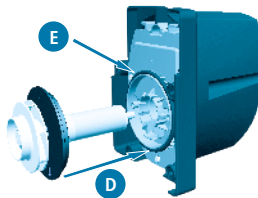
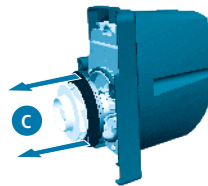
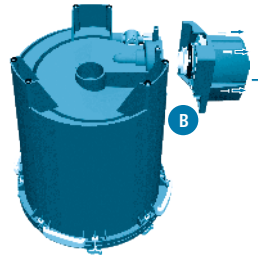
ACHTUNG: Trennen Sie alle Geräte von der Stromversorgung, wenn sie nicht verwendet werden, bevor Teile hinzugefügt oder entfernt werden und bevor die Geräte gereinigt werden. Ziehen Sie nie am Netzkabel, um den Stecker aus der Steckdose zu ziehen. Ziehen Sie den Netzstecker ab.

WARTUNG DES FX6 LAUFRADS

Die Laufradkammer verfügt über eine effektive Selbstreinigungsfunktion. Es wird jedoch empfohlen, den Motor zu entfernen und das Laufrad im Rahmen der routinemäßigen Wartung zu überprüfen. Durch das Sauberhalten des Laufrads werden seine Lebensdauer und die Lebensdauer des Motors verlängert. Vor der Pumpenpflege müssen das gesamte Wasser, die Medienkörbe und die Medien aus dem FX6 Filter entfernt werden.

1. So entfernen Sie die Pumpeneinheit:

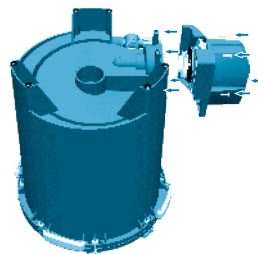
- A. Legen Sie die Filtereinheit mit der Oberseite nach unten auf eine sichere Arbeitsfläche, so dass die Pumpenschrauben und Schraubeneinlässe sichtbar sind. Beachten Sie, dass der Auslassschlauch leicht an der oberen Kante des Behälters hervorsteht. Biegen oder beschädigen Sie den Schlauch nicht, während er umgedreht ist.
- B. Entfernen Sie die 3 Befestigungsschrauben mit einem Kreuzschlitzschraubendreher. Die Schrauben sind um das Motorgehäuse herum angebracht.
- C. Entfernen Sie die Laufradbaugruppe, indem Sie am Flansch ziehen (schwarze Scheibe).



2. Reinigen Sie das Laufrad und die Laufradkammer gründlich durch Spülen mit sauberem Leitungswasser.

3. Setzen Sie alle Pumpenkomponenten wieder vorsichtig zusammen:

- D. Richten Sie die Pfeile an der Laufradbaugruppe aneinander aus. Bevor Sie das Laufrad einsetzen, drücken Sie den Magnet vorsichtig gegen den Flansch, um sicherzustellen, dass die Flanschbuchse fest sitzt.
 - E. Falls erforderlich, bringen Sie den Dichtring wieder an. Beachten Sie die Wartungsintervall-Tabelle.
4. Bringen Sie die Pumpeneinheit durch Einschrauben der 3 Befestigungsschrauben mithilfe eines Kreuzschlitzschraubendrehers wieder am Behälter an. Beim Wiederausammenbau der Pumpe sollten die 3 Befestigungsschrauben vorsichtig eingeschraubt werden, bis der Pumpenmotordeckel und der Behälter fest sitzen. Hinweis: Ziehen Sie die Schrauben zum Verbinden des Gehäuses und Behälters nicht zu fest an.



WICHTIG: Vergewissern Sie sich, dass das Laufradlager (Buchse und O-Ring) korrekt an der Unterseite der Laufradkammer angebracht ist. Obwohl die Buchse aus sehr widerstandsfähigem Material besteht, kann es unter bestimmten Bedingungen abgenutzt werden. Aus diesem Grund wird empfohlen, dass Sie es bei einem Wechsel der Laufradeinheit auch immer austauschen. Beachten Sie die Anweisungen im Ersatzteilpaket. Weitere Informationen finden Sie in der Wartungsintervalltabelle.

WICHTIG: Vergewissern Sie sich, dass der Dichtring nicht zwischen dem Laufradflansch und dem Motor verrutschen kann, und dass das Laufradlager (Buchse und O-Ring) korrekt an der Unterseite der Laufradkammer angebracht ist.

ACHTUNG: Trennen Sie alle Geräte von der Stromversorgung, wenn sie nicht verwendet werden, bevor Teile hinzugefügt oder entfernt werden und bevor die Geräte gereinigt werden. Ziehen Sie nie am Netzkabel, um den Stecker aus der Steckdose zu ziehen. Ziehen Sie den Netzstecker ab.

5. Wiederausammenbau der Einheit

5. Stapeln Sie die Körbe aufeinander und richten Sie sie aneinander aus, so dass alle Formen ineinandergreifen. Stecken Sie die T-Griffe wieder in die dafür vorgesehenen vertikalen Schlitzte ein und platzieren Sie die Körbe wieder im Filterbehälter. Der Schaumstoffeinsatz im oberen Korb sollte ungefähr mit dem oberen Rand des Behälters abschließen.

6. Setzen Sie den Filterdeckel wieder auf den Behälter.

- A. Überprüfen Sie die Deckeldichtung auf Abnutzung.
- B. Bringen Sie den Filterdeckel wieder am Behälter an. Es gibt nur eine Möglichkeit, ihn auszurichten. Drücken Sie den Deckel vorsichtig nach unten, bis der an der Innenseite des Filterbehälters angebrachte Auslassschlauch fest an der Deckelöffnung des AUSLASS-Ventils sitzt.

WICHTIG: Falls der am Behälterdeckel angebrachte Einlassschlauch aus seiner Halterung gerutscht ist, bringen Sie ihn wieder fest an der EINLASS-Verbindung des Deckels an.

7. Bringen Sie die acht Deckelschrauben wieder an und ziehen Sie sie fest. Der Deckel ist ordnungsgemäß verschlossen, wenn er sich in direktem Kontakt mit dem Behälter befindet. **VERWENDEN SIE KEINE WERKZEUGE, DA DIESE DEN FILTER BESCHÄDIGEN KÖNNEN.**

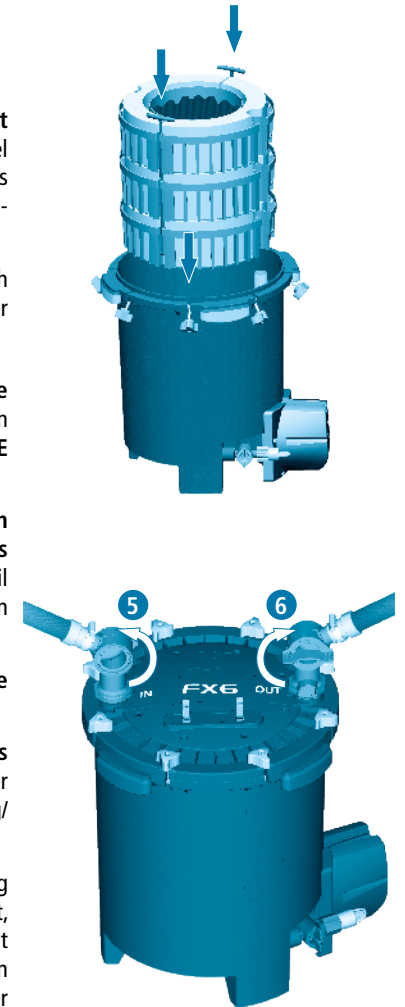
8. Bringen Sie die EINLASS- und AUSLASS-Ventile wieder an den Deckelverbindungen an und drücken Sie sie fest nach unten, bis sie hörbar einrasten. Vergewissern Sie sich, dass das EINLASS-Ventil an den Schlauch am Ansaugkorb und dass das AUSLASS-Ventil an den Schlauch am Wasseraustrittsstutzen angeschlossen ist.

9. Öffnen Sie das EINLASS-Ventil (durch Drehen in die vertikale Stellung).

10. Während das EINLASS-Ventil bereits geöffnet ist, öffnen Sie das AUSLASS-Ventil. Ändern Sie diese Reihenfolge nicht, da der Behälter sonst nicht ordnungsgemäß aufgefüllt wird. Wenn die Selbstansaugung/der Auto-Start nicht mehr funktioniert, siehe "Aktivieren des Filters".

11. Sie hören, wie das Wasser in den Behälter einfließt. Gleichzeitig wird Luft durch den Wasseraustrittsstutzen nach außen befördert, wodurch Luftbläschen im Wasser entstehen und das Wasser aufgewühlt wird. Sobald alle Luftbläschen im Aquarium verschwunden sind, stecken Sie das Netzkabel wieder ein. Die Pumpe fährt mit der normalen, unter "Aktivieren des Filters" beschriebenen Stopp-/Start-Sequenz fort.

Etwaige Reparaturarbeiten sollten von einem autorisierten Kundendienst vorgenommen werden.



FRAGEN? Falls Sie Probleme oder Fragen zum Betrieb dieses Produkts haben, lassen Sie uns zuerst versuchen, Ihnen zu helfen, bevor Sie das Produkt an Ihren Händler zurückgeben. Die meisten Probleme lassen sich in einem Telefongespräch lösen. Sie erreichen uns auch über unsere Website www.fluvalaquatics.com. Wenn Sie uns anrufen (oder uns schreiben), halten Sie alle wichtigen Informationen wie die Modellnummer und/oder Teilenummern bereit.

KUNDENDIENST

Falls dieses Produkt fehlerhaft sein sollte, geben Sie es zusammen mit dem Kaufnachweis entweder an Ihren örtlichen Zoofachhändler oder senden Sie es mit im Voraus bezahlten Versandkosten an:

HAGEN Deutschland GmbH & Co. KG,
Lehmweg 99-105, 25488 Holm
Service-Hotline: +49 4103 960-2000
Montag – Freitag von 9:00 – 16:00 Uhr
E-Mail an: kundenservice@rchagen.com

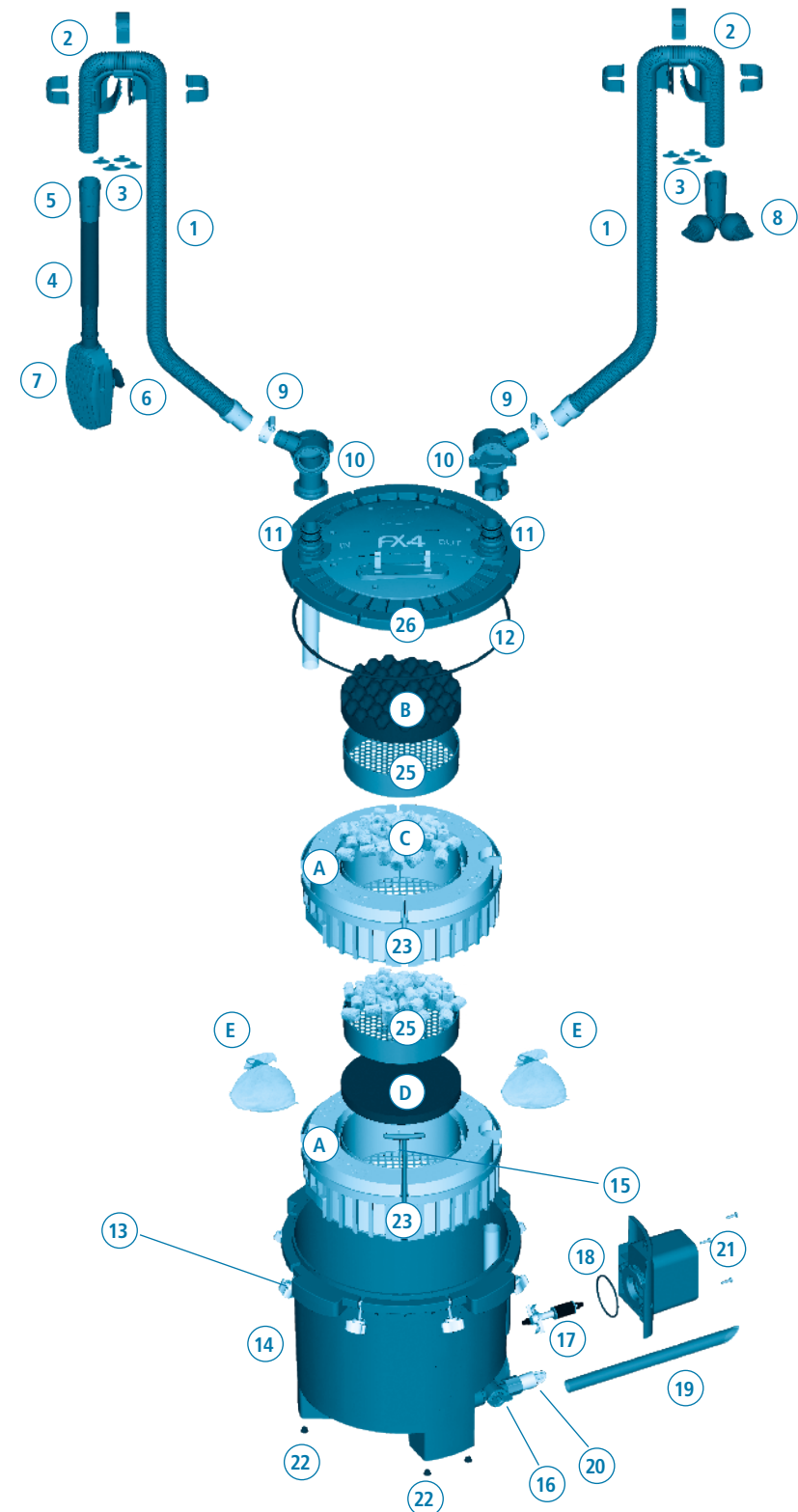
Mehr Informationen über unser gesamtes Produktprogramm erhalten Sie auf unserer Website: www.hagen.com

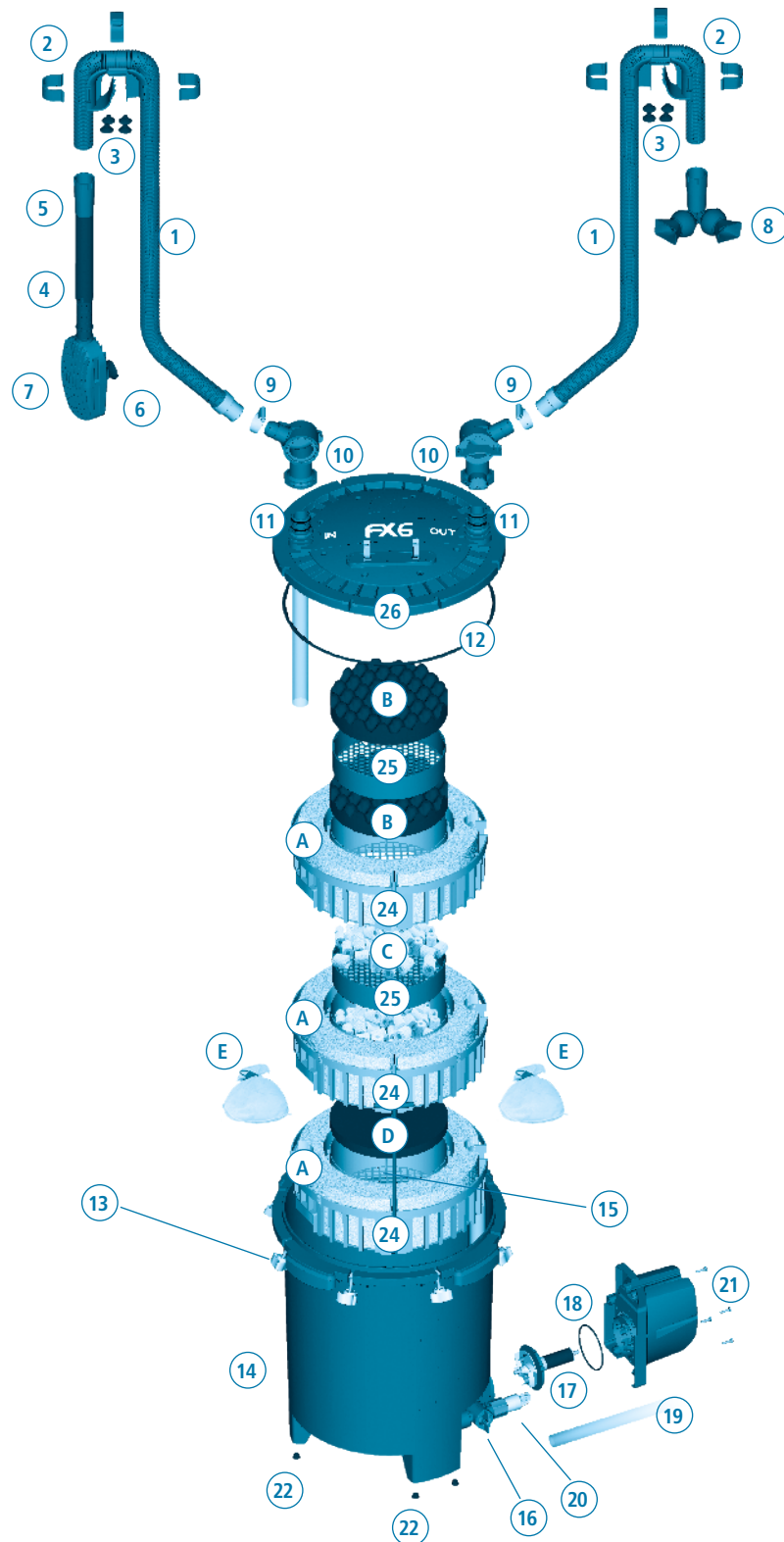


RECYCLING: Dieses Symbol steht für die getrennte Entsorgung von elektrischen und elektronischen Artikeln (WEEE). Das bedeutet, dass das Produkt entsprechend der europäischen Richtlinie 2012/19/EU gehandhabt werden muss, d. h. es muss recycelt oder demontiert werden, um die negativen Auswirkungen auf die Umwelt zu minimieren. Überprüfen Sie bei Ihrer lokalen Umweltschutzbehörde, ob spezielle Entsorgungsanweisungen beachtet werden müssen oder bringen Sie das Produkt zur Entsorgung an eine offizielle, lizenzierte Müllsammelstelle. Elektronische Produkte, die nicht gemäß der Vorschriften entsorgt werden, können Umwelt- oder Gesundheitsschäden aufgrund des Vorhandenseins giftiger Substanzen verursachen.

Drei Jahre Garantie

Der FX4/FX6 Außenfilter verfügt über eine Garantie gegen Material- und Herstellungsdefekte bei normaler Aquariennutzung sowie eine Servicegarantie von 3 Jahren ab dem Kaufdatum. Teile, die nicht ausgetauscht oder instandgehalten werden können, werden nach Hagens Ermessen gebührenfrei repariert oder ausgetauscht, wenn der gesamte Filter mit all seinen Komponenten zusammen mit einem gültigen Kaufbeleg in einer frankierten Sendung zurückgesendet wird. Diese Garantie gilt nicht für Filter, die falsch oder fahrlässig verwendet oder manipuliert wurden. Sie gilt zudem nicht für Filter, die falsch zusammengesetzt oder unsachgemäß gewartet wurden oder wenn die Wartungsanweisungen nicht vollständig beachtet wurden. Diese Garantie gilt nicht für Verschleißteile, wie z. B. das Laufrad, die Laufradabdeckung oder die Motordichtung. Wir übernehmen unabhängig von der Ursache keine Haftung für den Verlust von oder Schäden an Tieren oder Sachgegenständen. Bevor Sie den Filter unter den Garantiebedingungen zurücksenden, vergewissern Sie sich, dass Sie alle Einrichtungs- und Wartungsanweisungen beachtet haben. Falls Sie sich nicht sicher sind, kontaktieren Sie Ihren Aquaristik-Fachhändler für weitere Informationen, bevor Sie das Produkt zurücksenden. **IHRE GESETZLICHEN RECHTE BLEIBEN HIERVON UNBERÜHRT.**





Pieza	Descripción	Cantidad
1	Tubos nervados	1
2	Sujetador de mangueras (1) y presillas (3)	2
3	Ventosas de succión del salvatubos	8
4	Tubo de entrada	1
5	Conectores de goma	2
6	Ventosa de succión del filtro de alimentación	2
7	Filtro de alimentación	1
8	Conjunto de salida	1
9	Abrazadera metálica (para tubos)	2
10	Válvulas aquastop	2
11	Junta tórica "Click-fit" de la tapa superior	4
12	Junta tórica/Tapa del filtro	1
13	Cierres de la tapa	8
14	Cartucho filtrante	1
15	Manija tipo barra en T	2
16	Válvula de vaciado	1
17	Conjunto de impulsor magnético	1
18	Aro sellador del motor	1
19	Tubos de la válvula de vaciado	1
20	Tapa de vaciado	1
21	Unidad de la bomba (motor) y cable de alimentación	1
22	Pies de goma	6
23	Cesta de los medios filtrantes-FX4	2
24	Cesta de los medios filtrantes-FX6	3
25	Bandejas filtrantes apilables	2
26	Filter Lid	1

Número de artículo FX4	Número de artículo FX6	Cantidad de repuestos
A20236	A20236	1
A20230	A20230	1
A20232	A20232	4
A20225	A20225	1
A20228	A20228	2
A15041	A15041	4
A20221	A20221	1
A20227	A20226	1
A20234	A20234	2
A20216	A20216	1
A20212	A20212	2
A20210	A20210	1
A20215	A20215	1
N/A	N/A	
A20242	A20241	1
A20219	A20219	1
A20208	A20206	1
A20211	A20207	1
A20237	A20237	1
N/A	N/A	
A20202	A20201	1
A20121	A20121	4
A20239		1
	A20239	1
A20243	A20243	1
N/A	N/A	

Pieza	Descripción	FX4 Cantidad	FX6 Cantidad	Número de artículo FX4	Número de artículo FX6	Cantidad de repuestos
A	Espuma	4	6	A228	A228	3
B	Espuma biológica Bio Foam	1	2	A239	A239	2
C	Anillos de cerámica (BIOMAX)	2	2	A1456	A1456	1
D	Almohadilla de carbón	1	1	A249	A249	2
E	Bolsas de medios filtrantes	2	2	A1428	A1428	2

ADVERTENCIA: Para evitar lesiones, se deben tener en cuenta las precauciones básicas de seguridad, incluidas las que se detallan a continuación:

1. LEA Y CUMPLA CON TODAS LAS MEDIDAS DE SEGURIDAD

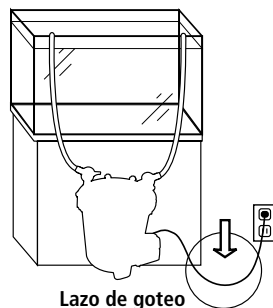
y las advertencias importantes que figuran en el aparato, antes de usarlo. De lo contrario, podría ocasionar la muerte de los peces y/o dañar el aparato.

2. **PELIGRO:** Para evitar una posible descarga eléctrica, se debe tener especial cuidado, ya que se manipula agua al usar el equipo del acuario. En las situaciones que se describen a continuación, no intente hacer una reparación usted mismo; lleve el aparato a un centro autorizado que provea los servicios necesarios o deséchelo.

- Si el aparato se cae al agua, NO lo agarre. Primero desenchúfelo y luego retírelo. Si los componentes eléctricos del aparato se mojan, desenchúfelo inmediatamente.
- Si el aparato presenta indicios de una pérdida irregular de agua o si el dispositivo de corriente residual (o interruptor accionado por corriente de pérdida a tierra) se apaga, desconecte el cable de la fuente de alimentación del suministro eléctrico y retire la bomba del agua.
- Examine cuidadosamente el aparato después de la instalación. No se debe enchufar si hay agua en las piezas que no están diseñadas para estar mojadas.

D. No haga funcionar ningún aparato que tenga el cable o enchufe dañados, si no funciona apropiadamente o si se ha caído o dañado de alguna manera. El cable de este aparato no puede ser reemplazado. Si el cable está dañado, deberá desechar la unidad. Nunca corte el cable.

E. Para evitar que el enchufe o el tomacorriente se mojen, coloque el aparato al costado de un tomacorriente de pared. Con el fin de evitar que el agua gotee en el tomacorriente o el enchufe, el usuario debe utilizar un "lazo de goteo" (ver imagen) en el cable que conecta el aparato al tomacorriente. El "lazo de goteo" es la parte del cable que está por debajo del nivel del tomacorriente o el conector, para evitar que el agua resbale por el cable y entre en contacto con el tomacorriente. Si el enchufe o el tomacorriente se mojan, NO desenchufe el cable. Desconecte el fusible o el interruptor que proporciona la alimentación al aparato. A continuación, desenchufe el cable y verifique si hay agua en el tomacorriente.



Lazo de goteo

3. **ADVERTENCIA:** Es necesario que tenga mucho cuidado cuando los niños usen cualquier tipo de aparato o se encuentren cerca de este. Este aparato puede ser usado por niños de 8 años en adelante y por personas con capacidades físicas, sensoriales o mentales reducidas, o sin experiencia ni conocimiento, si son supervisados o han recibido instrucciones sobre el uso del aparato de manera segura y comprenden los peligros implicados. Los niños no deben jugar con el aparato. La limpieza y el mantenimiento del usuario no deben realizarlos niños sin supervisión.

4. Para evitar lesiones, no toque las piezas móviles ni las calientes.

5. **PRECAUCIÓN:** Siempre desenchufe o desconecte todos los aparatos que están dentro del acuario antes de colocar las manos en el agua, o antes de agregar o quitar piezas, o mientras instala, manipula o realiza el mantenimiento del equipo. Tome el cable del enchufe y desconéctelo. Nunca tire con fuerza del cable para quitar el enchufe del tomacorriente. Siempre desenchufe el aparato cuando no lo utilice.

6. Este aparato no es una bomba de filtro sumergible para acuarios. Fue diseñado para usarse en acuarios decorativos domésticos. Puede usarse con agua dulce o salada. Temperatura máxima del agua 35° C. No use este aparato para una función que no sea para la que está diseñado (p. ej.: NO lo utilice en piscinas, baños, etc.). El uso de accesorios no recomendados o no vendidos por el fabricante del aparato puede crear condiciones de uso peligrosas e invalidará la garantía.

7. Este es un APARATO DOMÉSTICO DISEÑADO PARA USO DOMÉSTICO y es apto para uso en INTERIORES únicamente. No instale ni guarde el aparato en lugares expuestos a la intemperie o a temperaturas bajo cero.

8. Asegúrese de que este aparato esté bien instalado antes de utilizarlo y de que la conexión eléctrica se realice de acuerdo con los datos de la etiqueta de clasificación. No permita que la bomba de filtro funcione sin agua.

9. Si necesitara una extensión, utilice un cable con calibre apropiado. Un cable para un amperaje o vataje inferior al del aparato puede sobrecalentarse. Se debe tener cuidado al colocar el cable para que nadie se tropiece con él ni lo desenchufe. Un electricista calificado deberá realizar la conexión.

10. GUARDE ESTAS INSTRUCCIONES para consultarlas en el futuro.

1. Antes de comenzar

- Para obtener mejores resultados, llene completamente el acuario de agua antes de comenzar el ensamble.
- Tómese de 30 a 45 minutos para ensamblar e instalar el aparato.
- Herramientas necesarias: destornillador de estrella y cuchillo para uso general.
- Lea todas las instrucciones.

NO ENCHUFE EL FILTRO ANTES DE QUE ESTÉ COMPLETAMENTE ENSAMBLADO Y HASTA QUE LA UNIDAD ESTÉ LLENA DE AGUA.

2. Desempaque e identifique todas las piezas

Utilice como referencia el diagrama que aparece al comienzo del manual.

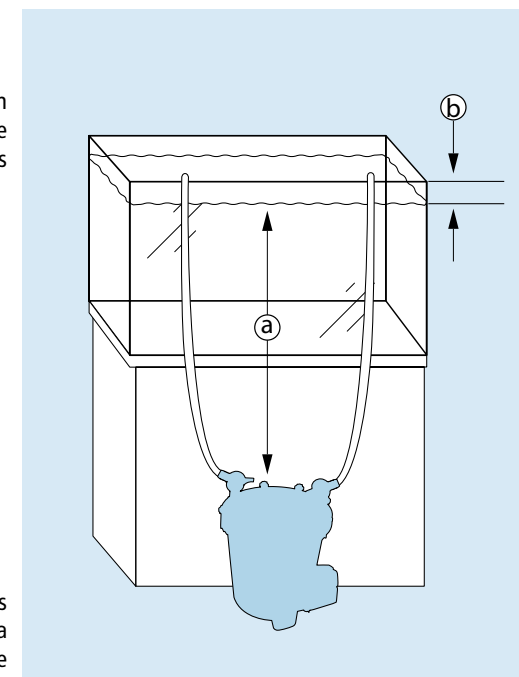
3. Prepare el acuario

- Defina la ubicación del filtro. Recuerde que este es un sistema alimentado por gravedad. Para que funcione correctamente, se deben respetar debidamente todos los requisitos de instalación.

	FX4	FX6
a	mínimo 20 cm a 150 cm	mínimo 20 cm a 150 cm
b	máximo 20 cm	máximo 20 cm

IMPORTANTE:

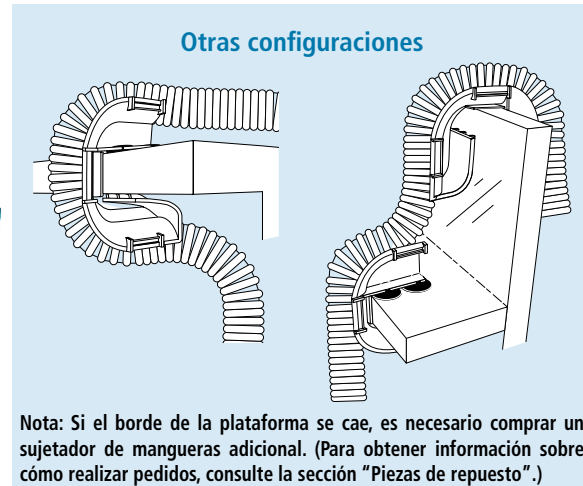
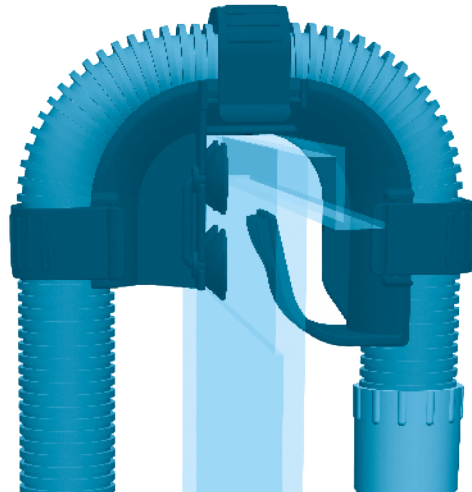
- NUNCA instale el filtro por encima del nivel del agua.
- Los tubos que se proporcionan con la unidad tienen 4 metros (13,1 pies) de largo. Si necesita un tubo más largo, la entrada no debe superar los 2 metros (6,5 pies) y la longitud total de los tubos de entrada juntos no debe superar los 5 metros (16,4 pies).
- El tubo debe seguir un recorrido recto desde el filtro hasta el borde del acuario, sin holgura y sin bucles.
- Para obtener el mejor rendimiento, el filtro debe estar totalmente por debajo del acuario (como muestra la imagen).
- Coloque la válvula de vaciado de forma que le permita conectar el tubo proporcionado sin necesidad de mover la unidad.



- Coloque los dos sujetadores de mangueras sobre el borde trasero superior del acuario. Coloque uno de ellos exactamente arriba del lugar donde desea colocar el tubo de entrada. Coloque el otro exactamente arriba del lugar donde desea colocar la boquilla de salida. Asegúrese de que el extremo largo del soporte esté dentro del acuario.

El diseño de los anillos de goma permite que se adhieran mejor al vidrio del tanque. Si el espesor de las paredes del acuario es inferior a 1,58 cm (5/8 pulg.), reemplace el anillo de goma por las cuatro ventosas de succión más pequeñas que vienen con el equipo.

IMPORTANTE: Asegúrese de colocar el tubo de entrada lejos de cualquier fuente de aire (piedra difusora, dispositivo de aireación, recogedor de proteínas o válvula de salida). Si ingresa aire en el filtro de alimentación, se reduce la eficiencia del filtro.

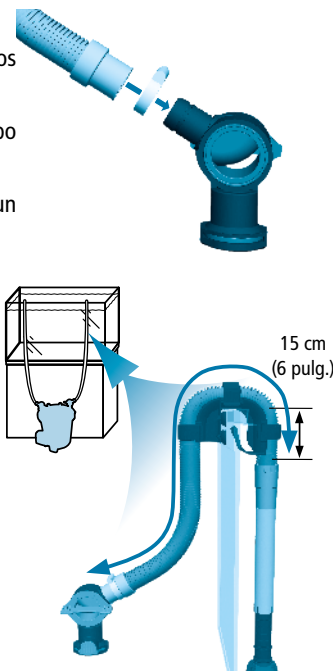


1. Prepare las conexiones de entrada

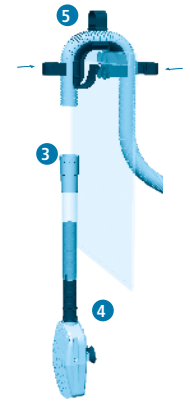
- Conecte el tubo a una de las dos válvulas (marcadas con letras "IN"):
 - Afloje una de las abrazaderas metálicas y deslícela hasta uno de los extremos del tubo (la parte de goma).
 - Empuje, completamente hasta donde llegue, uno de los extremos del tubo en la válvula.
 - Coloque la abrazadera metálica sobre el conector de goma y ajuste con un destornillador.
- Mida el tubo y córtelo. Necesitará que el tubo tenga una longitud que se extienda holgadamente desde adentro del acuario hasta el cartucho filtrante.

IMPORTANTE: El tubo debe seguir un recorrido recto desde el filtro hasta el borde del acuario, sin holgura y sin bucles. Si el tubo es demasiado largo, el filtro no funcionará eficazmente (la longitud máxima del tubo es de 2 m [6,5 pies]).

 - Coloque el extremo del tubo de la válvula aproximadamente en el lugar donde se colocará en la tapa del filtro (una vez instalado el filtro).
 - Estire el tubo de modo que se apoye sobre el conjunto del salvatubos de "entrada".
 - A una distancia de, al menos, 15 cm (6 pulg.) detrás del borde del acuario, use un cuchillo de usos múltiples para cortar el tubo. No lo corte demasiado. Recuerde que siempre puede cortarlo aún más en la instalación final, si es necesario.



- Empuje el borde cortado del tubo de "entrada" en el conector de goma del tubo de entrada. Empuje el tubo aproximadamente 2,5 cm (1 pulg.) sin doblarlo.
- Coloque el filtro de alimentación en el tanque y asegúrese de que esté ubicado a una distancia mínima de 7,5 cm (3 pulg.) del fondo. Ajuste el tubo de entrada para lograr la mejor extensión para su acuario, respetando los 7,5 cm (3 pulg.) desde el fondo. Una vez que el filtro de alimentación se encuentra correctamente ubicado, asegúrelo en su lugar; para ello, presione las ventosas contra el vidrio.
- Ajuste el tubo del filtro de alimentación en el sujetador de mangueras utilizando las tres presillas del sujetador de mangueras.

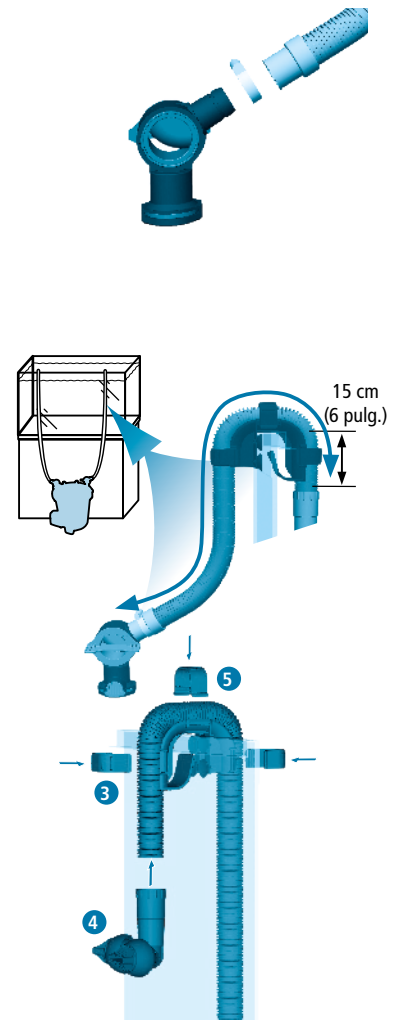


5. Prepare las conexiones de salida

- Conecte el tubo a la segunda válvula (tal como lo hizo para el tubo de entrada):
 - Desajuste la segunda abrazadera metálica y deslícela por el extremo suelto del tubo (no el extremo cortado).
 - Empuje, completamente hasta donde llegue, uno de los extremos del tubo en la válvula.
 - Coloque la abrazadera metálica sobre el conector de goma y ajuste con un destornillador.
- Mida el tubo y córtelo. Nuevamente, necesitará que el tubo tenga una longitud que se extienda holgadamente desde el interior del acuario hasta el cartucho filtrante.

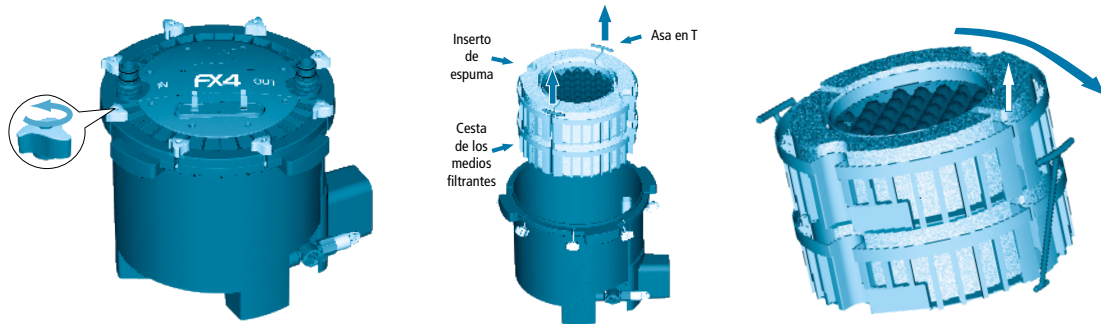
IMPORTANTE: El tubo debe seguir un recorrido recto desde el filtro hasta el borde del acuario, sin holgura y sin bucles. Si el tubo es muy largo, el filtro no funcionará correctamente.

 - Coloque el extremo del tubo de la válvula aproximadamente en el lugar donde se colocará en la tapa del filtro (una vez instalado el filtro).
 - Estire el tubo de modo que se apoye sobre el conjunto del sujetador de mangueras de "salida".
 - A una distancia de, al menos, 15 cm (6 pulg.) detrás del borde del acuario, use un cuchillo de usos múltiples para cortar el tubo. No lo corte demasiado. Recuerde que siempre puede cortarlo aún más en la instalación final, si es necesario.
- Empuje el extremo cortado del tubo de "salida" por el conector de goma de la boquilla de salida. Empuje el tubo aproximadamente 2,5 cm (1 pulg.) sin doblarlo.
- Coloque la boquilla en el tanque a unos 2,5 cm (1 pulg.), aproximadamente, por debajo de la línea del agua.
- Ajuste el tubo al conjunto de "salida"; para ello, utilice las tres presillas del sujetador de mangueras.



6. Prepare el filtro

1. Desajuste y desacople los ocho sujetadores de tapa.
2. Retire la tapa del filtro y póngala a un lado. Tenga cuidado de no dañar el tubo de entrada conectado a la tapa.
3. Con las asas en T rojas, levante las cestas de medios filtrantes del cartucho filtrante. Las asas en T caerán hacia afuera para poder manipular las cestas por separado. Las imágenes a continuación se denominan FX4; FX6 tiene una cesta adicional.

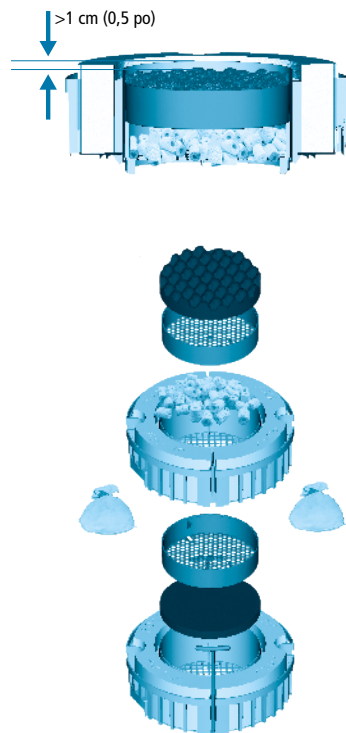


4. Enjuague las cestas, las bandejas filtrantes y los materiales filtrantes con agua corriente de grifo para quitar el polvo y coloque los medios filtrantes en su posición original. Si prefiere, seleccione otros medios filtrantes.

IMPORTANTE: Para evitar que las partículas ingresen en la cámara del impulsor, tapen y/o dañen el impulsor, el material filtrante granulado suelto (carbón, Zeo-Carb, removedor de amoníaco, gránulos de turba, etc.) debe colocarse en una bolsa de medios filtrantes. Use las bolsas en la cesta inferior para estos medios filtrantes. **NUNCA** llene demasiado las cestas. Deje un espacio libre de 1 cm (0,5 pulg.) como mínimo desde la parte superior de las cestas hasta los medios filtrantes de modo tal que las cestas puedan colocarse juntas de manera adecuada. Si se encuentra la bandeja roja, los medios filtrantes de la parte inferior de la cesta no deben superar la altura de los soportes de la bandeja en la cesta.

5. Cerciérese de que cada tipo de medio filtrante esté en el mismo nivel que estaba antes, a menos que escoja deliberadamente un plan de filtración diferente del recomendado en el montaje.
6. Apile las cestas bien alineadas, de modo tal que todas las formas coincidan. Vuelva a colocar las asas en T en las ranuras verticales y coloque las cestas en el cartucho filtrante. La espuma de la cesta superior debería estar a la misma altura que el borde superior del cartucho (el tubo de salida, que se encuentra sujeto a la parte interna del cartucho, sobresaldrá levemente).
7. Desplace el cartucho filtrante a su posición final.
8. Asegúrese de que la válvula de vaciado se encuentre en posición vertical (cerrada).
9. Vierta al menos 6 litros (1,6 galones) de agua para FX4 y 8 litros (2 galones) de agua para FX6 dentro del cartucho del filtro.
IMPORTANTE: Si es necesario, corrija el volumen de agua para proceder al cebado del sistema.

10. Vuelva a colocar la tapa en el cartucho. Verifique para asegurarse de que el anillo de sellado de la tapa del filtro esté colocado e instalado correctamente en la tapa del cartucho. La orientación posible es una sola. Presione levemente la tapa hacia abajo hasta que el tubo de salida se encuentre firmemente ajustado en la conexión de SALIDA (OUT) de la tapa del filtro.
IMPORTANTE: Si el tubo de entrada que se colocó en la tapa del cartucho se salió de la base, asegúrese de volver a insertarlo por completo debajo de la conexión de ENTRADA (IN) de la tapa.
11. Reemplace y ajuste a mano las ocho presillas de la tapa. La tapa se cierra correctamente cuando se encuentra en contacto directo con el cartucho. **NO UTILICE NINGUNA HERRAMIENTA, PORQUE PODRÍA CAUSAR DAÑOS AL APARATO.**



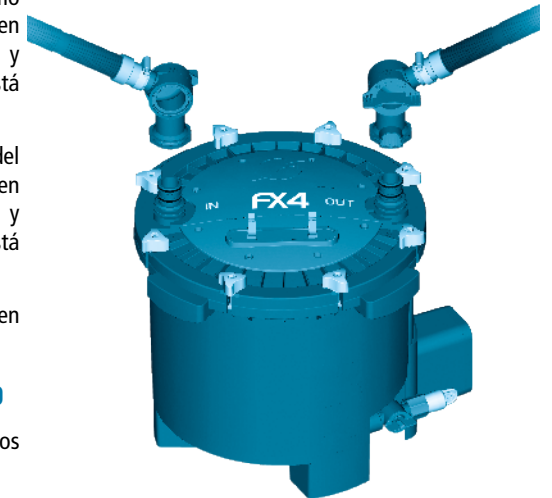
Demostración de FX4

7. Instalación del filtro

1. Una vez que el filtro se encuentra en su posición final, asegúrese de que el acuario tenga la cantidad de agua adecuada.

IMPORTANTE: Antes de continuar, repase los Requisitos de instalación en la sección n.º 3 del capítulo "Instalación y uso".

2. Tome la válvula de entrada (ubicada en el extremo del tubo sujetado al tubo de entrada), deslícela en la conexión de ENTRADA (IN) de la tapa del filtro y presione hasta que haga clic, lo que significa que está en su lugar.
3. Tome la válvula de salida (ubicada en el extremo del tubo sujetado a la boquilla de salida), deslícela en la conexión de SALIDA (OUT) de la tapa del filtro y presione hasta que haga clic, lo que significa que está en su lugar.
4. Cerciérese de que ambas válvulas estén aseguradas en su lugar antes de proceder.



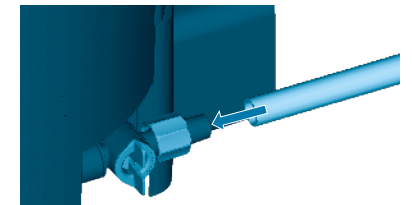
8. Instalación del tubo de la válvula de vaciado

La válvula de vaciado ubicada en la base de la unidad y los tubos permiten:

- Descargar el agua que se encuentra dentro del filtro para que sea más liviano moverlo.
- Cambie el agua del acuario: vacíelo y vuelva a llenarlo.
- Utilice el kit limpiador de grava FX (se vende por separado).

Para instalar el tubo de vaciado, siga estos pasos:

1. Asegúrese de que la válvula de vaciado se encuentre en posición cerrada (vertical); gire la tuerca de sujeción en el sentido de las agujas del reloj para aflojarla; luego, retire la tapa de goma.
2. Conecte uno de los extremos del tubo proporcionado en la válvula de vaciado. Gire la tuerca de sujeción en el sentido contrario a las agujas del reloj mientras presiona el tubo en el sentido de la válvula. (creare nuova imagine)
3. Conecte el otro extremo del tubo en las presillas de la tapa.



ADVERTENCIA: Es importante dejar la válvula en posición OFF (Apagado) cuando no está en funcionamiento. Si deja la válvula abierta, comenzará a derramarse agua de inmediato.

9. Arranque del filtro

1. Compruebe la instalación.

Antes de encender el filtro, asegúrese de que:

- A. La válvula de vaciado se encuentre en posición cerrada (vertical).
- B. Todos los sujetadores de la tapa superior estén bien ajustados.
- C. El filtro de alimentación se encuentre totalmente sumergido en el agua.
- D. Haya, al menos, 6 liters (1.6 gallons) de agua en el FX4 y 8 litros (2 galones) de agua en el FX6 en el cartucho.

MUY IMPORTANTE: Tenga en cuenta que la unidad arranca apenas se enchufa y que, inmediatamente a continuación, realiza su secuencia automática de cebado..

1. Abra las palancas de la válvula IN y OUT, y colóquelas en posición vertical.

2. Enchufe la unidad al tomacorriente.

Comenzará la secuencia automática de cebado electrónico. Esto es lo que sucederá:

- E. La bomba funcionará durante un minuto para llenar el cartucho del filtro del acuario.
- F. La bomba se detendrá durante dos minutos para expulsar aire del cartucho del filtro.
- G. La bomba volverá a arrancar, continuará encendida y seguirá funcionando hasta que se desenchufe.

Esta secuencia se repite cada vez que la unidad se desenchufa y se vuelve a enchufar.

Cada 12 horas, la bomba se detendrá durante un minuto para expulsar el aire que haya quedado atrapado dentro del dispositivo.



ESPECIFICACIONES DE FLUVAL FX

	FX4		FX6	
	250 galones	1,000 litros	400 galones	1,500 litros
Capacidad del acuario:	250 galones	1,000 litros	400 galones	1,500 litros
Caudal de la bomba:	700 g/h	2,650 l/h	925 g/h	3,500 l/h
Área mecánica (espuma)	217 pulg. ²	1,400 cm ²	325,5 pulg. ²	2,100 cm ²
Volumen biológico:	1 gallone	3.9 l	1,5 galones	5,9 l
Volumen de filtración:	3,7 galones	14 l	5,28 galones	20 l
Circulación del filtro*:	450 g/h	1,700 l/h	563 g/h	2,130 l/h
Altura de elevación (máx.):	6,9 pies	2,1 m	10,8 pies	3,3 m
Vatajes 120 V/60 Hz:	30W		43 W	
Vatajes 230-240 V/50 Hz:	30W		41 W	

*Nota: Los caudales se midieron con tubos de entrada y salida de la misma longitud, y sin medios filtrantes.

PRECAUCIÓN: Siempre desenchufe el aparato del tomacorriente cuando no esté en funcionamiento, antes de agregar o quitar piezas, y antes de limpiarlo. Nunca tire con fuerza del cable para quitar el enchufe del tomacorriente. Tome el cable del enchufe y desconéctelo.

IMPORTANTE

Para garantizar el funcionamiento óptimo y adecuado de su filtro externo Fluval FX, es necesario hacer un mantenimiento periódico. De lo contrario, el filtro podría funcionar incorrectamente y se invalidará su garantía. Asimismo, una limpieza y un mantenimiento periódicos reducirán significativamente o evitarán por completo las fallas y la disminución del rendimiento. Consulte el programa de mantenimiento que figura abajo.

TABLA DE FRECUENCIA DE MANTENIMIENTO

COMPONENTES	MENSUALMENTE	CADA 3 MESES	CADA 6 MESES	ANUALMENTE
Impulsor magnético		Verificar y limpiar		Reemplazar
Aro sellador del motor		Verificar y limpiar		Reemplazar
Tubo de entrada/alimentación		Verificar y limpiar		
Tubos nervados			Verificar y limpiar	
Espuma mecánica	Verificar y limpiar		Reemplazar la mitad de la cantidad	
Espuma biológica Bio-Foam		Verificar y limpiar	Reemplazar	
BIOMAX	Enjuagar		Reemplazar la mitad de la cantidad	
Almohadilla de carbón	Reemplazar			
Cartucho (parte interior)*	Verificar y limpiar			

MANTENIMIENTO DEL ACUARIO

Los filtros FX le permiten realizar un mantenimiento sencillo y eficiente del acuario.

Limpieza de grava

Para llevar a cabo esta operación, le recomendamos usar el kit de limpieza de grava FX. Consulte las instrucciones que vienen con el kit de limpieza de grava FX.

Cambios de agua

Para llevar a cabo esta operación, consulte la hoja plástica de instrucciones que viene con el filtro.

*** IMPORTANTE:** Durante esta operación, es posible que quede aire atrapado dentro del cartucho que pueda agitar la tierra hacia el fondo. Si no ha realizado las tareas de mantenimiento habituales del interior del cartucho como se recomienda en la tabla de frecuencia de mantenimiento, es posible que algunas partículas vuelvan a entrar al acuario.

PRECAUCIÓN: Siempre desenchufe el aparato del tomacorriente cuando no esté en funcionamiento, antes de agregar o quitar piezas, y antes de limpiarlo. Nunca tire con fuerza del cable para quitar el enchufe del tomacorriente. Tome el cable del enchufe y desconéctelo.

MANTENIMIENTO DEL FILTRO

Antes de proceder con el mantenimiento periódico, es necesario vaciar el cartucho.

1. Drenaje del filtro

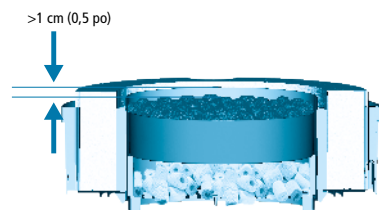
1. Gire las válvulas de ENTRADA (IN) y SALIDA (OUT) en orden hasta la posición de cierre (horizontal).
2. Desconecte la bomba de la fuente de alimentación eléctrica.
3. Quite el tubo de vaciado de las presillas de la tapa, y coloque un extremo en un recipiente o un drenaje adecuados.
4. Gire la válvula de depuración hacia la posición de abierto (horizontal), en sentido contrario a las agujas del reloj. Luego, desconecte la válvula de SALIDA (OUT).
5. El agua comenzará a drenarse desde el cartucho inmediatamente. Dado que este es un método de vaciado por gravedad, el agua dejará de drenarse una vez que el nivel del agua dentro del cartucho sea igual al del recipiente de drenaje. Cuando esto ocurra, cierre la válvula y vacíe el recipiente. Repita el proceso de drenaje hasta que se haya eliminado la cantidad suficiente de agua como para que el cartucho sea liviano y pueda llevarlo hasta su área de trabajo.

2. Desarmado de la unidad

1. Coloque el filtro en un lugar apropiado para realizar tareas de mantenimiento.
2. Afloje y retire los ocho sujetadores de la tapa; retire la tapa del filtro y déjela a un lado. Tenga cuidado de no dañar el tubo de entrada conectado a la tapa.
3. Con las tasas en T rojas, levante las cestas de medios filtrantes del cartucho filtrante; deje que las asas en T caigan hacia afuera de las ranuras y separe las cestas.

3. Limpieza o reemplazo de medios filtrantes

1. Retire los insertos de espuma de las cestas de medios filtrantes y de las bandejas; enjuague con agua del acuario o con agua de grifo sin cloro, o reemplace con nueva espuma, si es necesario.
2. Lave los medios filtrantes biológicos con agua del vacuario; o bien, si es necesario, reemplácelos.
3. Reemplace los medios químicos, si es necesario. Los medios químicos no pueden limpiarse.
4. Vacíe y lave el cartucho filtrante. **NUNCA** use jabón ni detergente cuando limpie el cartucho o enjuague las canastas y las bandejas; podrían quedar restos de los productos de limpieza y dañar los sensibles tejidos de los peces.
5. **NUNCA llene demasiado las cestas.** Deje un espacio libre de 1 cm (0,5 pulg.) como mínimo desde la parte superior de las cestas hasta los medios filtrantes de modo tal que las cestas puedan colocarse juntas de manera adecuada. Si se encuentra la bandeja roja, los medios filtrantes de la parte inferior de la cesta no deben superar la altura de los soportes de la bandeja en la cesta.



PRECAUCIÓN: Siempre desenchufe el aparato del tomacorriente cuando no esté en funcionamiento, antes de agregar o quitar piezas, y antes de limpiarlo. Nunca tire con fuerza del cable para quitar el enchufe del tomacorriente. Tome el cable del enchufe y desconéctelo.

4. Cuidado de la bomba

MANTENIMIENTO DEL IMPULSOR FX4

El impulsor tiene una característica de autolimpieza efectiva. Sin embargo, se recomienda retirar el motor e inspeccionar el impulsor como parte del mantenimiento de rutina. Si mantiene la limpieza del impulsor, esta pieza y el motor durarán más tiempo. Antes de proceder al mantenimiento de la bomba, deben extraerse por completo el agua, las cestas de medios filtrantes y los medios filtrantes del filtro FX4.

1. Para extraer la bomba:

- A. Coloque el filtro boca abajo en un área de trabajo segura de modo que pueda ver los tornillos de la bomba y los asientos de los tornillos. Recuerde que el tubo de salida sobresale levemente del borde superior del vaso. Procure no doblar ni dañar el tubo mientras está boca abajo.
- B. Desatornille los 3 tornillos de sujeción con un destornillador de estrella (cabeza cruzada). Los tornillos están alrededor de la cubierta del motor.
- C. Tome el ventilador y jálelo suavemente hacia el exterior del recinto para quitar el conjunto del impulsor.

NOTA: El impulsor consta de 4 partes:

- D. Eje del impulsor. El eje del impulsor está sujeto a ambos lados del recinto del impulsor mediante dos cojinetes de goma. El eje puede extraerse fácilmente con la mano con cuidado.
- IMPORTANTE:** El eje está hecho de cerámica resistente al desgaste ocasionado por el uso. No obstante, se trata de un elemento frágil. Manéjelo con cuidado durante el mantenimiento.
- E. Cojinete de goma frontal. Si permanece en la parte rojo del cartucho, es necesario retirarlo procurando no dañarlos.
- F. Cojinete de goma trasero. Si el cojinete de goma permanece en su lugar, no es necesario retirarlo.
- G. Conjunto del impulsor (imán + ventilador del impulsor).

2. Limpie el impulsor y el recinto del impulsor por completo con agua corriente.

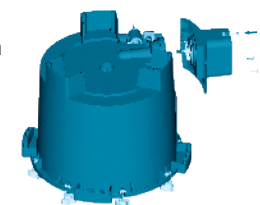
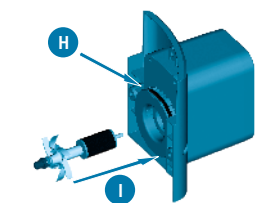
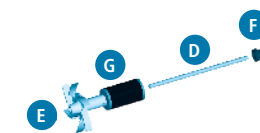
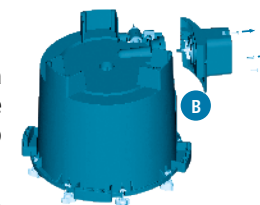
3. Vuelva a ensamblar todos los componentes de la bomba con cuidado.

- H. Si es necesario, reemplace el anillo de sellado: Retírelo de la rendija. Consulte el Programa de frecuencia de mantenimiento. Para llevar a cabo esta operación, no utilice ninguna herramienta ya que la junta tórica podría dañarse.
- I. Vuelva a armar todas las partes en el siguiente orden: el cojinete de goma trasero en el fondo del recipiente (si se retiró), el eje cerámico (presiónelo hasta que se detenga); a continuación, el conjunto del impulsor y, en el extremo, el cojinete de goma frontal en la parte superior del eje cerámico. El eje puede volver a colocarse fácilmente con la mano; sin embargo, tenga mucho cuidado de no desmontar el cojinete de goma.

4. Con cuidado, vuelva a colocar la bomba en el cartucho y fijela utilizando los 3 tornillos de sujeción y un destornillador de estrella (cabeza cruzada). Al volver a armar la bomba, los 3 tornillos de sujeción deberían ajustarse ligeramente hasta que la tapa del motor de la bomba y el cartucho se encuentren debidamente ajustados.

NOTA: No sobreajuste la carcasa al cartucho.

IMPORTANTE: Asegúrese de que el aro sellador no se salga de la base.



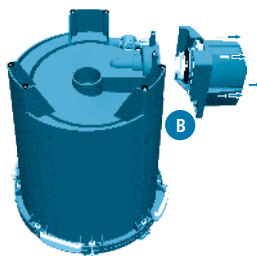
PRECAUCIÓN: Siempre desenchufe el aparato del tomacorriente cuando no esté en funcionamiento, antes de agregar o quitar piezas, y antes de limpiarlo. Nunca tire con fuerza del cable para quitar el enchufe del tomacorriente. Tome el cable del enchufe y desconéctelo.

MANTENIMIENTO DEL IMPULSOR FX6

El impulsor tiene una característica de autolimpieza efectiva. Sin embargo, se recomienda retirar el motor e inspeccionar el impulsor como parte del mantenimiento de rutina. Si mantiene la limpieza del impulsor, esta pieza y el motor durarán más tiempo. Antes de proceder al mantenimiento de la bomba, deben extraerse por completo el agua, las cestas de medios filtrantes y los medios filtrantes del filtro FX6.

1. Para extraer la bomba:

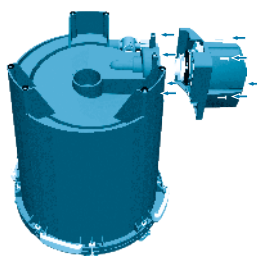
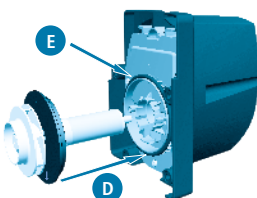
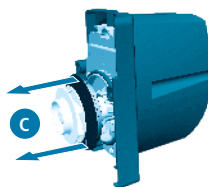
- A. Coloque el filtro boca abajo en un área de trabajo segura de modo que pueda ver los tornillos de la bomba y los asientos de los tornillos. Recuerde que el tubo de salida sobresale levemente del borde superior del vaso. Procure no doblar ni dañar el tubo mientras está boca abajo.
- B. Desatornille los 4 tornillos de sujeción con un destornillador de estrella (cabeza cruzada). Los tornillos están alrededor de la cubierta del motor.
- C. Agarre la brida (disco negro) del conjunto del impulsor para extraer este último.



2. Limpie el impulsor y el recinto del impulsor por completo con agua corriente.

3. Vuelva a ensamblar todos los componentes con cuidado.

- D. Alinee las dos flechas en el montaje del impulsor. Antes de insertar el impulsor, presione ligeramente el imán contra la brida para asegurarse de que el cojinete de la brida se encuentre en la base por completo.
 - E. Si es necesario, reemplace el anillo de sellado. Consulte el Programa de frecuencia de mantenimiento.
4. Vuelva a colocar la bomba en el cartucho utilizando los 4 tornillos de sujeción y un destornillador de estrella (cabeza cruzada) Phillips. Al volver a armar la bomba, los 4 tornillos de sujeción deberían ajustarse ligeramente hasta que la tapa del motor de la bomba y el cartucho se encuentren debidamente ajustados. Nota: No sobreajuste la carcasa al cartucho.



IMPORTANTE: Asegúrese de que el cojinete del impulsor (cojinete y junta tórica) estén bien colocados en la parte inferior del recinto del impulsor. Si bien la boquilla está hecha de un material muy resistente, tiende a desgastarse en ciertas condiciones. Es por esto que se recomienda reemplazarla siempre que se reemplace el impulsor. Siga las instrucciones que se incluyen en el paquete de piezas de repuesto. Consulte la tabla de frecuencia de mantenimiento para obtener más detalles.

IMPORTANTE: Asegúrese de que el anillo de sellado no se resbale entre la brida del impulsor y el motor, y que el cojinete del impulsor (cojinete y junta tórica) esté bien colocado en la parte inferior del recinto del impulsor.

PRECAUCIÓN: Siempre desenchufe el aparato del tomacorriente cuando no esté en funcionamiento, antes de agregar o quitar piezas, y antes de limpiarlo. Nunca tire con fuerza del cable para quitar el enchufe del tomacorriente. Tome el cable del enchufe y desconéctelo.

5. Rearmado de la unidad

1. **Apile las cestas de modo tal que las formas coincidan.** Vuelva a insertar las asas en T en las ranuras verticales y coloque las cestas en el cartucho filtrante. La espuma de la cesta superior debería estar a la misma altura del borde superior del cartucho.

2. Coloque la tapa del filtro.

- A. **Inspeccione la junta de la tapa para comprobar si presenta desgastes.**

Vuelva a colocar la tapa del filtro en el cartucho. La orientación posible es una sola. Ejercer una ligera presión hasta que el tubo de salida, colocado en la parte interna del cartucho filtrante, se encuentre bien colocado en su base en la apertura de la tapa de la válvula de salida (OUT).

IMPORTANTE: Si el tubo de entrada que se colocó en la tapa del cartucho se salió de la base, asegúrese de volver a insertarlo por completo debajo de la conexión de ENTRADA (IN) de la tapa.

3. **Reemplace y ajuste a mano las ocho presillas de la tapa.** La tapa se cierra correctamente cuando se encuentra en contacto directo con el cartucho. **NO UTILICE NINGUNA HERRAMIENTA, PORQUE PODRÍA CAUSAR DAÑOS AL APARATO.**

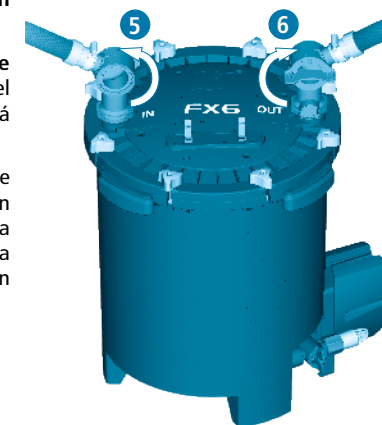
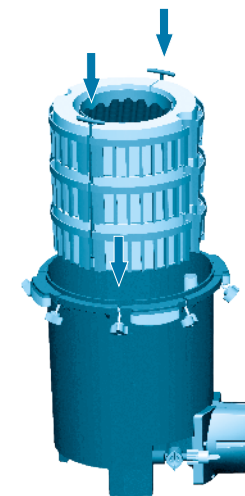
4. **Vuelva a colocar las válvulas de ENTRADA (IN) y SALIDA (OUT) en los conectores de la tapa y presione firmemente hasta que queden bien colocadas en su lugar.** Asegúrese de que la válvula de ENTRADA (IN) esté conectada al tubo colocado en el filtro de alimentación y que la válvula de SALIDA (OUT) esté conectada al tubo sujetado a la boquilla de salida.

5. **Abra la válvula de ENTRADA (IN) (gírela hasta la posición vertical).**

6. **Con la válvula de ENTRADA (IN) abierta, abra la válvula de SALIDA (OUT).** No modifique esta secuencia; de lo contrario, el cartucho no volverá a llenarse correctamente. Si el cartucho ya no está cebado, consulte "Arranque del filtro".

7. **Podrá oír cómo el agua llena el cartucho.** Mientras tanto, el aire saldrá por la boquilla de salida y producirá burbujeo y agitación en el acuario. Una vez que se detiene el burbujeo en el acuario, vuelva a enchufar el cable de alimentación. La bomba reanudará su secuencia habitual de detención/arranque, tal como se describe en la sección "Arranque del filtro".

Cualquier servicio de mantenimiento deberá efectuarlo un agente de servicio autorizado.



FLUVAL FX4

DESEA REALIZAR PREGUNTAS? Si tiene algún inconveniente o preguntas acerca del funcionamiento de este producto, permítanos ayudarlo antes de devolverlo a su distribuidor. La mayoría de los problemas puede resolverse inmediatamente mediante una llamada. O, si lo prefiere, puede comunicarse con nosotros a través de nuestro sitio web en www.fluvalaquatics.com. Cuando llame (o escriba), tenga disponible toda la información importante, como el número del modelo o los números de las piezas.

EE.UU.

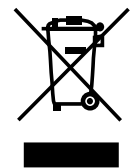
LLAME A NUESTRO NÚMERO GRATUITO
1-800-724-2436 entre las 8.30 y 16.00 horas
(hora del Este) y pida comunicarse con el Servicio
de Atención al Cliente.

PARA OBTENER SERVICIO DE REPARACIÓN
AUTORIZADO, devuelva el producto con la factura
fecha y USD 4 por concepto de gastos de envío a:

Consumer Repairs
Rolf C. Hagen (USA) Corp
305 Forbes Blvd
Mansfield, MA 02048

ESPAÑA

Rolf C Hagen España S.A
Avda. De Beniparrell, 11 y 13 – P.I. L'Alteró
46460 Silla Valencia
Tlf. 961200945

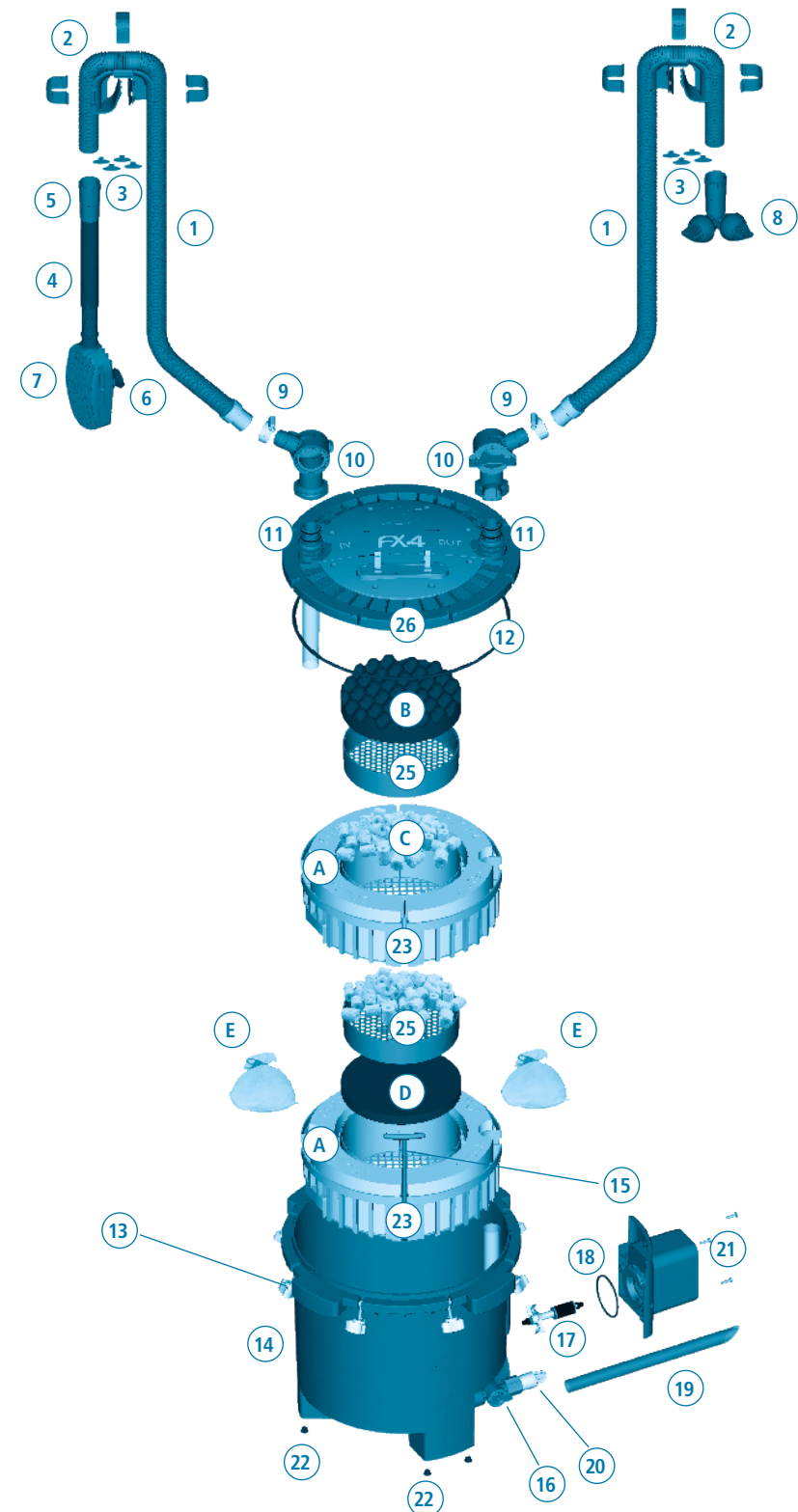


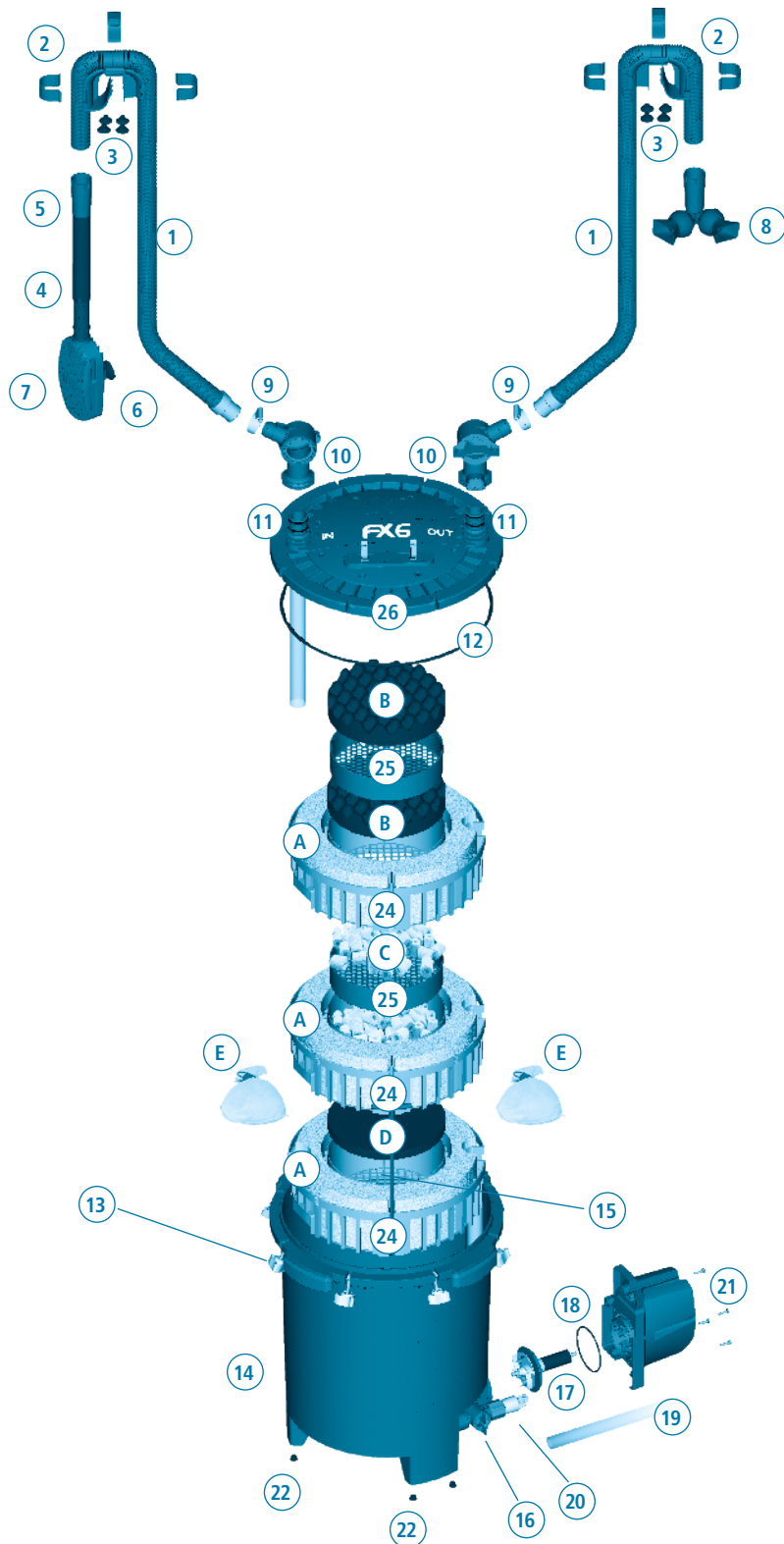
RECICLAJE: Este producto lleva el símbolo de clasificación selectiva para residuos de aparatos eléctricos y electrónicos (WEEE). Esto significa que este producto debe manipularse según la Directiva Europea 2012/19/EC para ser reciclado o desmantelado para disminuir el impacto ambiental. Consulte con una agencia ambiental local para recibir instrucciones sobre posibles modos de desecho o llévelo a un punto de recolección de residuos oficial registrado. Los productos electrónicos que no son parte de este proceso selectivo son considerados potencialmente riesgosos para la salud humana y el medio ambiente debido a la presencia de sustancias peligrosas.

Garantía de tres años

Los cartuchos filtrantes Fluval FX4/FX6 están garantizados contra defectos de materiales y mano de obra en condiciones de uso y servicio normales del acuario durante 3 años a partir de la fecha de compra. Las piezas no sustituibles y no reparables serán reparadas o reemplazadas según el criterio de Hagen, sin costo alguno, cuando devuelva el filtro completo con todos sus componentes, un comprobante de compra válido y el pago del envío. La garantía no se aplica a los filtros que hayan sido sometidos a uso indebido, negligencia o maltrato. Tampoco se aplica a los filtros que se ensamblaron de modo incorrecto o cuyo mantenimiento fue inadecuado, o si las instrucciones de instalación y mantenimiento no se respetaron debidamente. La garantía no se aplica a las piezas de desgaste, como el impulsor, la tapa del impulsor o el sello del motor. No se asume ninguna responsabilidad en relación con la pérdida o los daños de los animales de cría o de la propiedad personal, independientemente de qué los ocasionen. Antes de devolver el filtro conforme a los términos de la garantía, procure que se hayan respetado todas las instrucciones de ensamble y mantenimiento. Si tiene alguna duda, comuníquese con el vendedor especialista en productos acuáticos local para obtener más información antes de devolver el producto.

ESTA GARANTÍA NO AFECTA SUS DERECHOS ESTABLECIDOS POR LEY.





Onderdeel	Beschrijving	Aantal	FX4-artikelnummer	FX6-artikelnummer	Aantal reserveonderdelen
1	Geribbelde slang	1	A20236	A20236	1
2	Randkoppeling (1) & klemmen (3)	2	A20230	A20230	1
3	Zuignappen randkoppeling	8	A20232	A20232	4
4	Inlaatbuis	1	A20225	A20225	1
5	Rubber koppelingen	2	A20228	A20228	2
6	Zuignap inlaatzeef	2	A15041	A15041	4
7	Inlaatzeef	1	A20221	A20221	1
8	Uitlaatconstructie	1	A20227	A20226	1
9	Metalen klem (voor slang)	2	A20234	A20234	2
10	AquaStop kleppen	2	A20216	A20216	1
11	Click-fit O-ring bovendecksel	4	A20212	A20212	2
12	O-ring (filterdeksel)	1	A20210	A20210	1
13	Dekselsluitingen	8	A20215	A20215	1
14	Filterbus	1	N/A	N/A	
15	T-staafhendel	2	A20242	A20241	1
16	Nutsklep	1	A20219	A20219	1
17	Magnetische rotorgroep	1	A20208	A20206	1
18	Afdichtring motor	1	A20211	A20207	1
19	Slang nutsklep	1	A20237	A20237	1
20	Afvoerdop	1	N/A	N/A	
21	Pompeenheid (motor) en voedingskabel	1	A20202	A20201	1
22	Rubber poten	6	A20121	A20121	4
23	Filtermandje- FX4	2	A20239		1
24	Filtermandje- FX6	3		A20239	1
25	Stapelbare mediabakjes	2	A20243	A20243	1
26	Filter Lid	1	N/A	N/A	

Onderdeel	Beschrijving	FX4 Aantal	FX6 Aantal	FX4-artikelnummer	FX6-artikelnummer	Aantal reserveonderdelen
A	Schuim	4	6	A228	A228	3
B	Bio Schuim	1	2	A239	A239	2
C	Keramische ringen (BIOMAX)	2	2	A1456	A1456	1
D	Koolstofkussen	1	1	A249	A249	2
E	Filtermediazak	2	2	A1428	A1428	2

WAARSCHUWING - Om verwondingen te vermijden, dient u de volgende veiligheidsvoorschriften in acht te nemen:

1. LEES EN VOLG ALLE VEILIGHEIDSinSTRUCTIES

en alle belangrijke waarschuwingen op het toestel vóór het gebruik ervan. Anders kan dit het leven van de vissen in gevaar brengen en/of schade toebrengen aan het toestel.

2. GEVAAR – Om mogelijke elektrische schokken te vermijden, dient u speciale voorzorgen te nemen, aangezien u bij het gebruik van aquariumuitrusting in contact komt met water. In elk van de onderstaande situaties mag u zelf niet overgaan tot de herstelling, maar dient u het toestel terug te zenden naar een erkend dienstverlenend bedrijf voor onderhoud, of het weg te gooien.

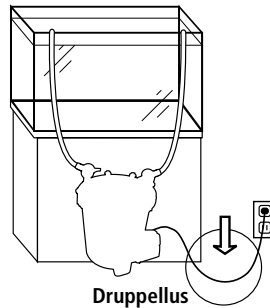
A. Als het toestel in het water valt, grijp er dan NIET naar! Trek eerst de stekker uit en haal het dan uit het water. Als elektrische onderdelen van het toestel nat zijn, trek dan de stekker onmiddellijk uit.

B. Als het toestel tekenen van abnormale waterlekkege vertoont, of als de verliesstroomschakelaar (of aardlekschakelaar) afspringt, dient u de voedingskabel uit het stopcontact te trekken en de pomp uit het water te halen.

C. Controleer het toestel zorgvuldig na de installatie. Het mag niet worden ingeschakeld als er water te zien is op delen die niet nat mogen zijn.

D. Gebruik geen enkel toestel wanneer de kabel of stekker beschadigd is, als het slecht werkt of op eender welke manier gevallen of beschadigd is. De stroomkabel van dit toestel kan niet worden vervangen. Indien de kabel beschadigd is, moet het toestel worden weggegooid. Snij nooit in de kabel.

E. Om te vermijden dat de stekker van het toestel of het stopcontact nat wordt, plaatst u het toestel aan een zijde van een stopcontact dat op een muur is geplaatst. Om te voorkomen dat er water op het stopcontact of de stekker druppelt, moet de gebruiker een "druiplus" (zie foto) leggen in de kabel die het toestel aansluit op een stopcontact. De "druiplus" is dat deel van de kabel onder het stopcontact of het aansluitstuk, dat verhindert dat er water langs de kabel naar beneden loopt en in aanraking komt met het stopcontact. Als de stekker of het stopcontact toch nat wordt, trek dan de stekker NIET uit. Schakel de zekering of de vermogensschakelaar uit die het toestel van stroom voorziet. Trek daarna de stekker uit en controleer of er water in het stopcontact zit.



3. WAARSCHUWING – Wanneer een toestel wordt gebruikt door of in de buurt van kinderen, is nauwlettend toezicht vereist. Dit toestel kan alleen worden gebruikt door kinderen vanaf 8 jaar en door personen met verminderde fysieke, zintuiglijke of mentale capaciteiten, of met onvoldoende ervaring of kennis, indien zij onder toezicht staan of instructies over het veilige gebruik van het toestel hebben gekregen en zich bewust zijn van de gevaren die eraan verbonden zijn. Kinderen mogen niet met het toestel spelen. Zij mogen het alleen reinigen en onderhouden als zij onder toezicht staan.

4. Raak geen bewegende of warme onderdelen aan, om verwondingen te vermijden.

5. **WAARSCHUWING** – Schakel altijd alle toestellen in het aquarium uit of trek de stekker uit vóór u uw handen in het water steekt, vóór het aanbrengen of verwijderen van onderdelen en tijdens de installatie, het onderhoud of de bediening van het toestel. Hou de stekker vast en trek om hem uit het stopcontact te verwijderen. Ruk de kabel nooit los om de stekker uit het stopcontact te trekken. Trek de stekker van een toestel altijd uit het stopcontact wanneer het niet gebruikt wordt.

6. Dit toestel is geen onderdompelbare aquariumfilter-pomp. Het is bedoeld voor sieraquariums voor huishoudelijk gebruik. Het mag worden gebruikt met zoet of zout water. Maximale watertemperatuur 35°C. Gebruik dit toestel niet voor andere doeleinden (dus NIET gebruiken in zwembaden, badkamers, enz.). Het gebruik van accessoires die niet worden aanbevolen of verkocht door de fabrikant van het toestel, kan tot een onveilige situatie leiden en maakt uw garantie ongeldig.

7. Dit toestel is **BEDOELD VOOR HUISHOUDELIJK GEBRUIK** en enkel geschikt voor BINNENgebruik. Installeer of bewaar dit toestel niet op plaatsen waar het is blootgesteld aan het weer of aan temperaturen onder het vriespunt.

8. Zorg dat dit toestel veilig geïnstalleerd is alvorens ermee te werken, en dat de elektrische verbinding in overeenstemming is met de gegevens op het vermogensplaatje. Zorg ervoor dat de filterpomp niet droog komt te staan.

9. Als er een verlengkabel nodig is, moet die een correct vermogen hebben. Een kabel met minder ampère of watt dan het vermogen van het toestel kan oververhit geraken. Zorg ervoor dat de kabel op zo'n manier wordt gelegd dat men er niet over kan vallen of aan kan trekken. De verbinding moet worden gemaakt door een gekwalificeerde elektricien.

10. BEWAAR DEZE INSTRUCTIES

zodat u ze altijd kunt raadplegen.

1. Alvorens te beginnen

- Om de beste resultaten te halen, vul het aquarium tot boven met water alvorens met de opbouw te beginnen.
- Trek 30-45 minuten uit voor de opbouw en installatie.
- Benodigheden: Phillips schroevendraaier en stanleymes.
- Lees alle instructies.

STEEK DE STEKKER VAN DE FILTER PAS IN HET STOPCONTACT NA DE INSTALLATIE EN WANNEER DE EENHEID GEVULD IS MET WATER.

2. Pak alle onderdelen uit en identificeer ze

Gebruik de tabel bij het begin van de handleiding.

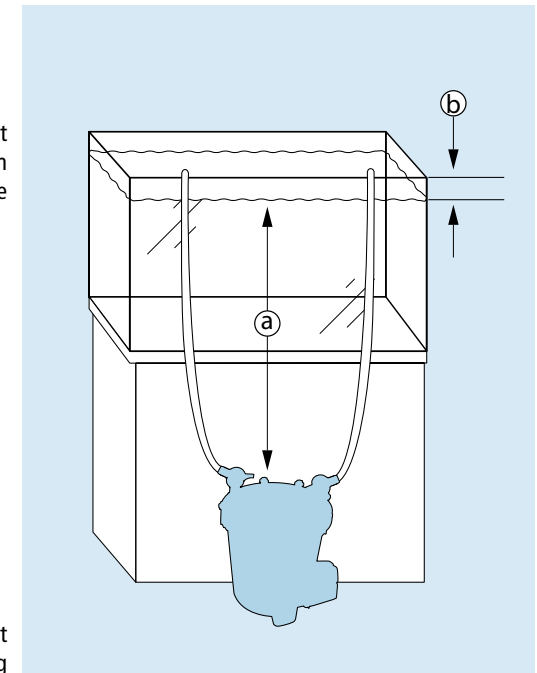
3. Maak het aquarium klaar

1. Beslis waar de filter moet komen. Onthoud dat dit systeem wordt beïnvloed door de zwaartekracht. Om het correct te laten werken, moeten de onderstaande installatievoorschriften allemaal worden nageleefd.

	FX4	FX6
a	min. 20 cm tot 150 cm	min. 20 cm tot 150 cm
b	max. 20 cm	max. 20 cm

BELANGRIJK:

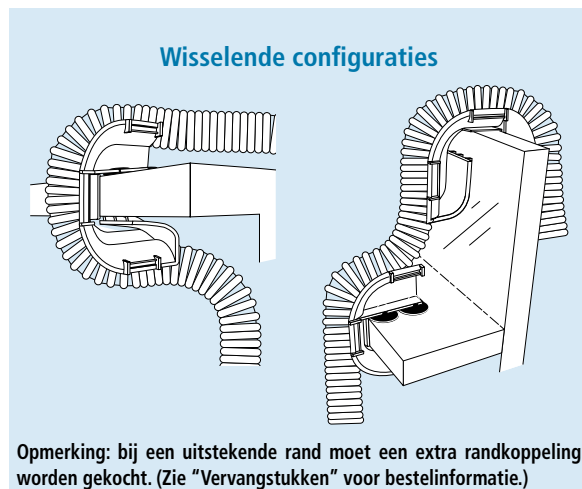
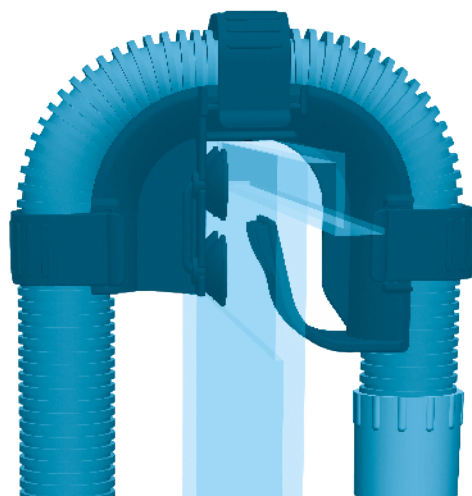
- De meegeleverde slang is 4 meter lang.
- Als langere slangen nodig zijn, mag de inlaatslang niet langer zijn dan 2 meter en mogen de inlaat- en uitlaatslang samen niet langer zijn dan 5 meter.
- De slang moet een rechte baan volgen van de filter naar de aquariumrand, zonder slap te hangen en zonder lussen.
- Om optimaal te presteren, moet de filter zich helemaal onder het aquarium bevinden (zoals op de afbeelding).
- Plaats de nutsklep zo dat u de meegeleverde slang kunt vastmaken zonder de eenheid te verplaatsen.



- Plaats de twee randkoppelingen over de bovenrand achteraan het aquarium. Plaats de ene vlak boven de plaats waar u de inlaatbuis wilt aanbrengen, en de andere vlak boven de plaats waar u de uitlaatpijp wilt aanbrengen. Zorg dat het lange eind van de steun zich aan de binnenkant van het aquarium bevindt.

De rubber ringen op de koppelingen dienen om beter op het glas van het aquarium te kleven. Als de aquariumwanden dunner zijn dan 1,58 cm, vervang dan de rubber ring door de vier kleinere meegeleverde zuignappen.

BELANGRIJK: plaats de inlaatbuis uit de buurt van een luchtbron - een luchtsteen, een verluchttingsapparaat, de eiwitafschiemer of de uitlaatklep. Lucht die in de inlaatzeef dringt, zal de efficiëntie van de filter verminderen.

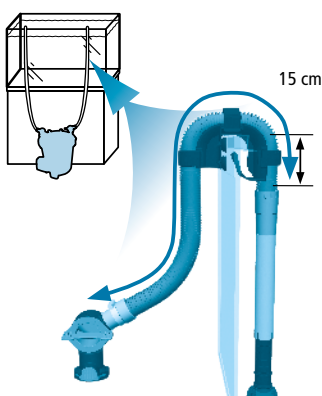


1. Breng de inlaatverbindingen tot stand

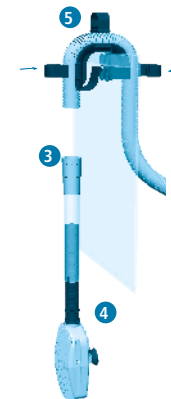
- Sluit de slang aan op een van de twee kleppen (met de markering "IN"):
 - Maak een van de metalen klemmen los en schuif die op één eind van de slang (het rubber gedeelte).
 - Duw het eind van de slang op de klep; duw helemaal tot het einde, zo ver het gaat.
 - Plaats de metalen klem over het rubber aansluitstuk en draai ze vast.
- Meet en snij de slang af. De slang moet zo lang zijn dat ze comfortabel van binnen in het aquarium tot de filterbus reikt.

BELANGRIJK: de slang moet een rechte baan volgen van de filter naar de aquariumrand, zonder slap te hangen en zonder lussen. Als de slang te lang is, zal de filter niet efficiënt werken (de maximale lengte van de slang is 2 meter).

 - Plaats het klepeind van de slang ongeveer op de plaats waar het op het filterdeksel zal komen (nadat de filter geïnstalleerd is).
 - Rek de slang uit, zodat ze boven de randsteun aan de "inlaat" rust.
 - Gebruik een stanleymes om de slang op ten minste 15 cm buiten de aquariumrand af te snijden. Snij de slang niet te kort af. Onthoud dat u ze tijdens de eindinstallatie altijd korter kunt afsnijden als dat nodig blijkt.



- Druk het afgesneden eind van deze "inlaatslang" in het rubber aansluitstuk op de inlaatbuis. Druk de slang er ten minste 2,5 cm in zonder ze te verdraaien.
- Plaats de inlaatzeef in het aquarium, op ten minste 7,5 cm van de bodem. Stel de inlaatbuis af op de beste lengte voor uw aquarium en zorg dat ze 7,5 cm van de bodem verwijderd blijft. Zodra de inlaatzeef correct geplaatst is, moet u ze vastzetten door de zuignappen tegen het glas te drukken.
- Maak de slang van de inlaatzeef vast aan de randkoppeling met de drie klemmen.

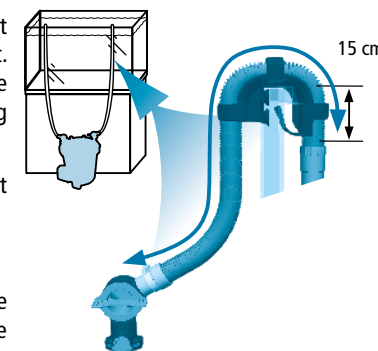


5. Breng de uitgangsverbindingen tot stand

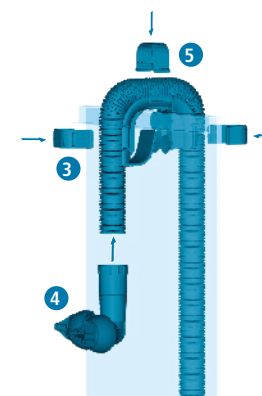
- Sluit de slang aan op de tweede klep (net als bij de inlaatslang):
 - Maak de tweede metalen klem los en schuif die op het fabriekseind van de slang (niet het afgesneden eind).
 - Duw het eind van de slang op de klep; duw helemaal tot het einde, zo ver het gaat.
 - Plaats de metalen klem over het rubber aansluitstuk en draai ze vast.
- Meet en snij de slang af. De slang moet opnieuw zo lang zijn dat ze comfortabel van binnen in het aquarium tot de filterbus reikt.

BELANGRIJK: de slang moet een rechte baan volgen van de filter naar de aquariumrand, zonder slap te hangen en zonder lussen. Als de slang te lang is, zal de filter niet efficiënt werken.

 - Plaats het klepeind van de slang ongeveer op de plaats waar het op het filterdeksel zal komen (nadat de filter geïnstalleerd is).
 - Rek de slang uit, zodat ze boven de randsteun aan de "uitgang" rust.
 - Gebruik een stanleymes om de slang op ten minste 15 cm buiten de aquariumrand af te snijden. Snij de slang niet te kort af. Onthoud dat u ze tijdens de eindinstallatie altijd korter kunt afsnijden als dat nodig blijkt.

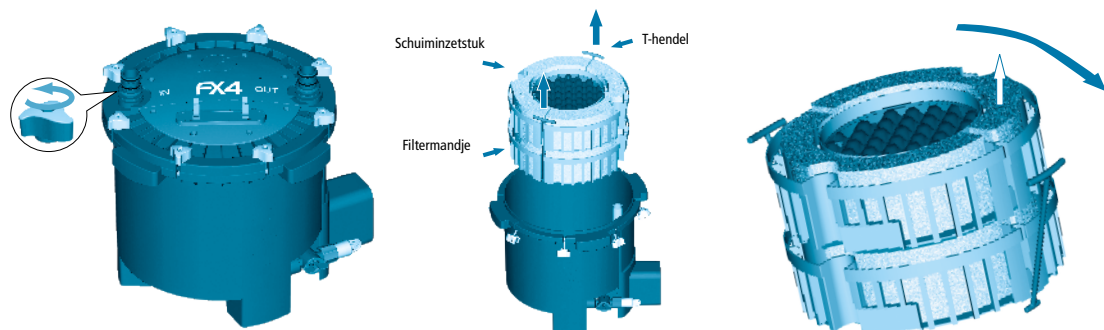


- Druk het afgesneden eind van deze "uitlaatslang" in het rubber aansluitstuk van de uitlaatpijp. Druk de slang er ten minste 2,5 cm in zonder ze te verdraaien.
- Plaats de pijp in het aquarium ongeveer 2,5 cm onder de waterlijn
- Maak de slang vast aan de "uitlaatsteun" met de drie klemmen van de randkoppeling.



6. Maak de filter klaar

1. Maak de acht dekselsluitingen los en ontkoppel ze.
2. Verwijder het filterdeksel en leg het opzij. Zorg dat u de op het deksel aangesloten inlaatbuis niet beschadigt.
3. Hef met de rode T-hendels de filtermandjes uit de filterbus. De T-hendels vallen naar buiten, zodat de mandjes apart kunnen



worden gehanteerd. De onderstaande afbeeldingen verwijzen naar FX4; FX6 heeft een extra mandje.

4. Spoel de mandjes, de mediabakjes en het mediamateriaal onder stromend leidingwater om ze te ontdoen van stof, en plaats de media terug in hun oorspronkelijke positie. Of gebruik desgewenst andere, zelf gekozen media.

BELANGRIJK: om te voorkomen dat deeltjes de rotorkamer binnendringen en de rotor blokkeren en/of beschadigen, moet al het losse filtermateriaal in de vorm van korrels (Carbon, Zeo-Carb, Ammonia Remover, Turfkorreltjes, enz.) in een filtermediazak worden gedaan. Gebruik hiervoor de zakken aan het onderste mandje. Doe de mandjes NOOIT te vol. Zorg dat er vanaf de bovenkant van de mandjes ten minste 1 cm vrije ruimte is, zodat de mandjes goed in mekaar passen. Als het rode bakje er is, mogen de filtermedia onderaan het mandje niet boven de steunen in het mandje uitkomen.

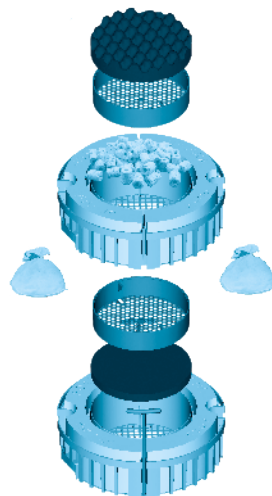
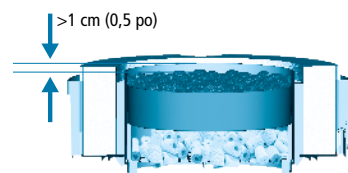
5. Zorg dat elk type van filtermedium wordt geplaatst op hetzelfde niveau waarin het verpakt was, tenzij u bewust een ander filtratieplan kiest dan de aanbevolen opbouw.
6. Stapel de mandjes op mekaar en lijn ze mooi uit, zodat alle vormen passen. Steek de T-hendels terug in hun verticale gleuven en plaats de mandjes terug in de filterbus. Het schuim in het bovenste mandje moet ongeveer gelijk komen met de bovenrand van de filterbus (de uitlaatbuis, die aan de binnenkant van de filterbus is vastgemaakt, moet lichtjes uitsteken).
7. Breng de filterbus in de eindpositie.
8. Zorg dat de nutsklep in de verticale (gesloten) stand staat.
9. Giet ten minste 6 liter water voor FX4 en 8 liter voor FX6 in de filterbus.

BELANGRIJK: het watervolume moet juist zijn om het systeem op gang te kunnen brengen.

10. Plaats het filterdeksel terug op de bus. Zorg dat de afdichting van het filterdeksel juist op het deksel van de filterbus is aangebracht. Er is maar één richting mogelijk. Druk zachtjes op het deksel tot de uitlaatbuis stevig in de OUT-verbinding op het filterdeksel zit.

BELANGRIJK: als de inlaatbuis die aan het deksel van de filterbus vastzit, uit de zitting is geschoven, steek ze er dan helemaal terug in onder de IN-verbinding van het deksel.

11. Breng de acht dekselsluitingen terug aan en draai ze met de hand vast. Het deksel is goed gesloten wanneer het rechtstreeks tegen de filterbus komt. **GEBRUIK GEEN GEREEDSCHAP, WANT DAT KAN DE EENHEID BESCHADIGEN.**



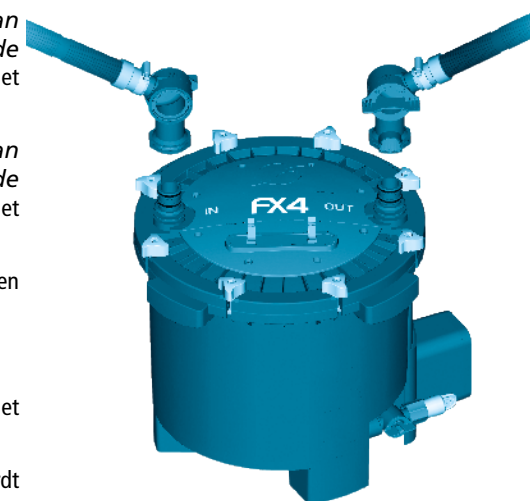
Afbeelding FX4

7. Installeer de filter

1. Zorg dat het aquarium de juiste hoeveelheid water bevat nadat de filtereenheid op haar plaats zit.

BELANGRIJK: lees eerst de installatievereisten in #3 van het hoofdstuk "Installatie en gebruik" alvorens verder te gaan.

2. Neem de inlaatklep vast (die aan het eind van de slang zit dat is vastgemaakt aan de inlaatbuis); schuif ze op de IN-verbinding op het filterdeksel, en druk tot ze op haar plaats klikt.
3. Neem de uitlaatklep vast (die aan het eind van de slang zit dat is vastgemaakt aan de uitlaatpijp); schuif ze op de OUT-verbinding op het filterdeksel, en druk tot ze op haar plaats klikt.
4. Zorg dat beide kleppen vast op hun plaats zitten alvorens verder te gaan.



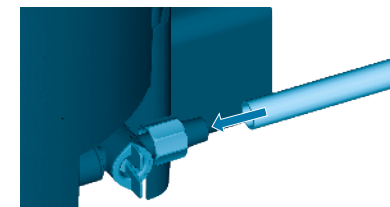
8. Installeer de slang van de nutsklep

De nutsklep onderaan de eenheid en haar slang maken het mogelijk om:

- Het water in de filter af te laten, zodat de filter lichter wordt en verplaatst kan worden.
- Het aquariumwater te verversen: maak het aquarium leeg en vul het opnieuw.
- De FX kiezelreiniger te gebruiken (apart verkocht).

Ga voor de installatie van de nutsslang als volgt te werk:

1. Zorg dat de nutsklep zich in de gesloten (verticale) stand bevindt; draai de borgmoer naar rechts om ze los te maken, en verwijder vervolgens de rubber dop.
2. Maak één eind van de meegeleverde slang vast aan de nutsklep. Draai de borgmoer naar links terwijl u de slang in de richting van de klep duwt.
3. Bevestig het andere eind van de slang aan de klemmen op het deksel.



WAARSCHUWING: Het is belangrijk om de klep in de OFF-stand te laten als ze niet in gebruik is. Als de klep open staat, gaat onmiddellijk water verloren.

9. Start de filter

1. Keur uw installatie.

Zorg voor het inschakelen van de filter dat:

- A. De nutsklep in de gesloten (verticale) stand staat.
- B. Alle dekselsluitingen goed vastzitten.
- C. De inlaatzeef helemaal ondergedompeld is.
- D. Er ten minste **6 liter voor FX4** en **8 liter water voor FX6** in de filterbus zit.

HEEL BELANGRIJK: u moet weten dat de eenheid na het inschakelen meteen begint te werken en onmiddellijk haar automatische pompcyclus doorloopt.

1. Open de IN & OUT-klephendels door ze in de verticale stand te zetten.

2. Steek de stekker van de eenheid in een stopcontact.

De elektronische automatische pompcyclus gaat van start. Het volgende gebeurt:

E. De pomp werkt 1 minuut om de filterbus met aquariumwater te vullen.

F. De pomp stopt 2 minuten om lucht uit de filterbus te laten.

G. De pomp start opnieuw; ze blijft aanstaan en werkt doorlopend tot ze wordt uitgeschakeld.

Deze cyclus wordt automatisch herhaald telkens als de eenheid wordt uitgeschakeld en opnieuw ingeschakeld.

Om de 12 uur stopt de pomp 1 minuut om lucht af te laten die in de eenheid vast kan zitten.



SPECIFICATIES FLUVAL FX

	FX4		FX6	
	Aquariumcapaciteit:	250 gallon	1,000 liter	400 gallon
Pomppopbrengst:	700 g/u	2650 l/h	925 g/u	3 500 l/u
Mechanische zone (schuim)	217 in. ²	1,400 cm ²	325,5 in. ²	2 100 cm ²
Biologisch volume:	1 gallon	3,9 l	1,5 gallon	5,9 l
Filtratievolume:	3,7 gallons	14 l	5,28 gallon	20 l
Filtercirculatie*:	450 g/u	1,700 l/h	563 g/u	2 130 l/u
Opvoerhoogte (max.):	6,9ft	2,1 m	10,8ft	3,3 m
Wattverbruik 120V/60Hz:	30W		43W	
Wattverbruik 230-240V/50Hz:	30W		41W	

*Opmerking: debiet werd gemeten met in- en uitlaatslangen van dezelfde lengte en zonder media.

LET OP: trek de stekker van toestellen altijd uit het stopcontact wanneer ze niet gebruikt worden, vóór het aanbrengen of verwijderen van onderdelen, en vóór het schoonmaken. Ruk de kabel nooit los om de stekker uit het stopcontact te trekken. Hou de stekker vast en trek om hem uit het stopcontact te verwijderen.

BELANGRIJK

Om uw Fluval FX externe filter optimaal te laten werken, is regelmatig onderhoud vereist. Als u dat nalaat, kan de filter defect raken en zal u de garantie niet kunnen inroepen. Door regelmatige reiniging en onderhoud zal u bovendien storings- en prestatieverlies fors zien afnemen of zelfs volledig kunnen voorkomen. Raadpleeg het volgende onderhoudsschema.

ONDERHOUDSTABEL

ONDERDELEN	MAANDELIJKS	OM DE 3 MAANDEN	OM DE 6 MAANDEN	JAARLIJKS
Magnetische rotor		Controle & reiniging		Vervangen
Afdichtring motor		Controle & reiniging		Vervangen
Inlaatbuis/zeef		Controle & reiniging		
Geribbelde slang			Controle & reiniging	
Mechanisch schuim	Controle & reiniging		Halve hoeveelheid vervangen	
Bio Schuim		Controle & reiniging	Vervangen	
BIOMAX	Spoelen		Halve hoeveelheid vervangen	
Koolstofkussen	Vervangen			
Bus (binnenzijde)*	Controle & reiniging			

AQUARIUMONDERHOUD

Dankzij FX filters kan u uw aquarium eenvoudig en efficiënt onderhouden.

Kiezelreiniging

Hiervoor raden wij u het gebruik van de FX kiezelreinigingskit aan. Volg de instructies die bij uw FX kiezelreinigingskit zitten.

Water verversen

Hiervoor verwijzen wij naar het plastic instructieblad dat bij uw filter zit.

*** BELANGRIJK:** Tijdens deze handelingen kan er in de filterbus lucht vastzitten die het vuil op de bodem dooreen kan schudden. Als u de binnenkant van de filterbus niet regelmatig onderhouden hebt volgens de aanbevelingen in de onderhoudstabel, kunnen sommige deeltjes terug in het aquarium terecht komen.

LET OP: trek de stekker van toestellen altijd uit het stopcontact wanneer ze niet gebruikt worden, vóór het aanbrengen of verwijderen van onderdelen, en vóór het schoonmaken. Ruk de kabel nooit los om de stekker uit het stopcontact te trekken. Hou de stekker vast en trek om hem uit het stopcontact te verwijderen.

FILTERONDERHOUD

Voor het periodieke onderhoud moet het water uit de filterbus worden gelaten.

1. Maak de filter leeg

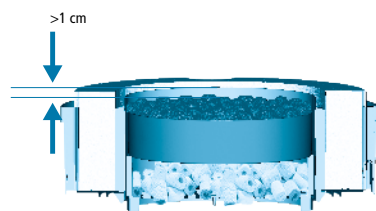
1. Draai de IN- en OUT-kleppen in volgorde in de gesloten (horizontale) stand.
2. Trek de stekker van de pomp uit.
3. Trek de nutsslang van de klemmen op het deksel en plaats het uiteinde ervan in een geschikte emmer of afvoerbus.
4. Draai de aftapklep naar links in de open (horizontale) stand. Ontkoppel daarna de OUT-klep.
5. Het water begint onmiddellijk uit de filterbus te vloeien. Aangezien deze methode wordt beïnvloed door de zwaartekracht, zal er geen water meer afvloeien zodra het waterpeil in de filterbus gelijkstaat met het peil in de afvoeremmer. Sluit dan gewoon de klep en giet de emmer leeg. Herhaal dit proces tot er genoeg water uit de filterbus is en die licht genoeg is om naar uw werkplek te dragen.

2. Demonteer de eenheid.

1. Breng de filter naar een plaats die geschikt is voor onderhoud.
2. Draai de acht dekselsluitingen los en verwijder ze; verwijder het filterdeksel en leg het opzij. Zorg dat u de op het deksel aangesloten inlaatbuis niet beschadigt.
3. Hef met de rode T-hendels de filtermandjes uit de filterbus; laat de T-hendels uit hun gleuven vallen en scheid de mandjes.

3. Filtermedia reinigen of vervangen

1. Haal alle inzetstukken van schuim uit de mediamandjes en -bakjes, spoel ze met aquariumwater of chloorvrij leidingwater, of vervang ze als dat nodig is.
2. Spoel de biologische media met aquariumwater, of vervang ze als dat nodig is.
3. Vervang de chemische media als dat nodig is. De chemische media kunnen niet gereinigd worden.
4. Ledig en spoel de filterbus. Gebruik **NOOIT** zeep of detergenten bij de reiniging van de bus of het spoelen van de mandjes en bakjes, want overblijvende sporen van schoonmaakproducten kunnen de gevoelige celweefsels van de vissen aantasten.
5. Doe de mandjes **NOOIT** te vol. Zorg dat er vanaf de bovenkant van de mandjes ten minste 1 cm vrije ruimte is, zodat de mandjes goed in mekaar passen. Als het rode bakje er is, mogen de filtermedia onderaan het mandje niet boven de steunen in het mandje uitkomen.



LET OP: trek de stekker van toestellen altijd uit het stopcontact wanneer ze niet gebruikt worden, vóór het aanbrengen of verwijderen van onderdelen, en vóór het schoonmaken. Ruk de kabel nooit los om de stekker uit het stopcontact te trekken. Hou de stekker vast en trek om hem uit het stopcontact te verwijderen.

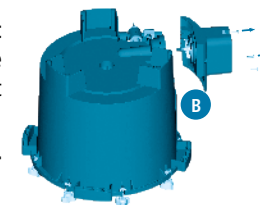
4. Pomponderhoud

FX4 ROTORONDERHOUD

De rotorschacht heeft een zelfreinigende functie. Het is echter aanbevolen om de motor te verwijderen en de rotor te controleren tijdens het vaste onderhoud. Door de rotor schoon te houden, verlengt u zijn levensduur en die van de motor. Voor het pomponderhoud moet u al het water uit de FX4 filter laten lopen, de filtermandjes en de filtermedia verwijderen.

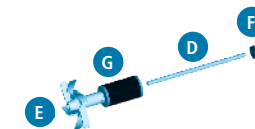
1. Om de pompeenheid te verwijderen:

- A. Plaats de filtereenheid ondersteboven op een veilige werkplek, zodat de pompschroeven en schroefzittingen zichtbaar zijn. Onthoud dat de uitlaatbuis iets uit de bovenrand van de filterbus steekt. Zorg dat u de buis niet buigt of beschadigt terwijl ze ondersteboven staat.
- B. Draai de 3 bevestigingsschroeven los met een Phillips schroevendraaier (kruiskop). De schroeven bevinden zich rond de motorbehuizing.
- C. Verwijder de rotorgroep door de ventilator te grijpen en langzaam van de schacht te trekken.



OPMERKING: Er zijn 4 onderdelen aan de rotor:

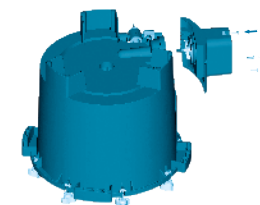
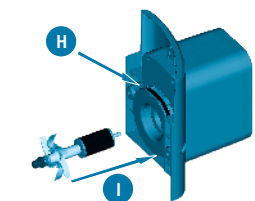
- D. Rotorstang. De rotorstang zit aan weerszijden van de rotorschacht vast met twee rubber bussen. De stang kan makkelijk, zij het voorzichtig met de hand worden uitgetrokken.
- E. Voorste rubber bus. Als ze in het rood deel van de filterbus blijft, moet ze verwijderd worden zonder dat ze schade oploopt.
- F. Achterste rubber bus. Als de rubber bus op haar plaats blijft, hoeft ze niet verwijderd te worden.
- G. Rotorgroep (magneet + rotorventilator)



2. Reinig de rotor en de rotorschacht grondig door ze met helder stromend water te spoelen.

3. Steek alle pomponderdelen terug zorgvuldig in mekaar:

- H. Vervang zo nodig de afdichtring: verwijder hem uit het kijkgat. Raadpleeg de onderhoudstabel. Gebruik hiervoor geen gereedschap, want dan kan de O-ring schade oplopen.
- I. Steek alle onderdelen in deze volgorde terug in mekaar: Achterste rubber bus onderaan de schacht (indien verwijderd), keramische stang (duw ertegen tot ze stopt), vervolgens de rotorgroep en ten slotte de voorste rubber bus bovenaan de keramische stang. De stang kan gemakkelijk met de hand worden teruggeplaatst; let er wel goed op dat de rubber bus niet los komt te zitten.



OPMERKING: maak de behuizing niet te stevig vast tegen de filterbus.

BELANGRIJK: zorg dat de afdichtring niet uit de zitting schuift.

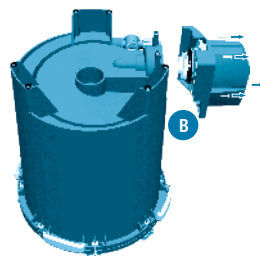
LET OP: trek de stekker van toestellen altijd uit het stopcontact wanneer ze niet gebruikt worden, vóór het aanbrengen of verwijderen van onderdelen, en vóór het schoonmaken. Ruk de kabel nooit los om de stekker uit het stopcontact te trekken. Hou de stekker vast en trek om hem uit het stopcontact te verwijderen.

FX6 ROTORONDERHOUD

De rotorschacht heeft een zelfreinigende functie. Het is echter aanbevolen om de motor te verwijderen en de rotor te controleren tijdens het vaste onderhoud. Door de rotor schoon te houden, verlengt u zijn levensduur en die van de motor. Voor het pomponderhoud moet u al het water uit de FX6 filter laten lopen, de filtermandjes en de filtermedia verwijderen.

1. Om de pompeenheid te verwijderen:

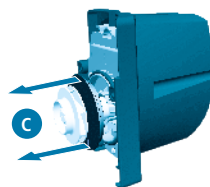
- Plaats de filtereenheid ondersteboven op een veilige werkplek, zodat de pompschroeven en schroefzittingen zichtbaar zijn. Onthoud dat de uitlaatbuis iets uit de bovenrand van de filterbus steekt. Zorg dat u de buis niet buigt of beschadigt terwijl ze ondersteboven staat.
- Draai de 4 bevestigingsschroeven los met een Phillips schroevendraaier (kruiskop). De schroeven bevinden zich rond de motorbehuizing.
- Verwijder de rotorgroep door de flens ervan (zwarte schijf) vast te nemen.



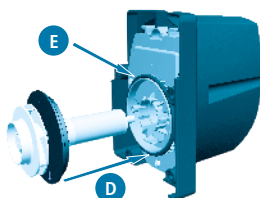
2. Reinig de rotor en de rotorschacht grondig door ze met helder stromend water te spoelen.

3. Steek alle pomponderdelen terug zorgvuldig in mekaar:

- Breng de twee pijlen op de rotorgroep op één lijn. Druk de magneet lichtjes tegen de flens om zeker te zijn dat de lagerbus volledig in de zitting is, en steek dan de rotor in.
- Vervang zo nodig de afdichtring. Raadpleeg de onderhoudstabel.

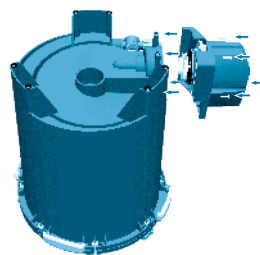


4. Maak de pompeenheid terug vast aan de filterbus, door de 4 bevestigingsschroeven met een Phillips-schroevendraaier (kruiskop) aan te draaien. Tijdens de montage van de pomp moeten de 4 bevestigingsschroeven langzaam worden aangedraaid, tot het pompmotordeksel en de filterbus goed vastzitten. Opmerking: maak de behuizing niet te stevig vast tegen de filterbus.



BELANGRIJK: zorg dat het rotorlager (lagerbus en O-ring) correct wordt aangebracht onderaan de rotorschacht. Hoewel de lagerbus is gemaakt van heel sterk materiaal, zal ze in bepaalde omstandigheden snel verslijten. Om deze reden is het raadzaam dat u ze vervangt telkens als de rotoreenheid wordt vervangen. Volg de instructies die bij het pakket van vervangstukken horen. Raadpleeg de onderhoudstabel voor meer details.

BELANGRIJK: zorg dat de afdichtring niet tussen de rotorflens en de motor schuift, en dat het rotorlager (lagerbus en O-ring) correct wordt aangebracht onderaan de rotorschacht.



LET OP: trek de stekker van toestellen altijd uit het stopcontact wanneer ze niet gebruikt worden, vóór het aanbrengen of verwijderen van onderdelen, en vóór het schoonmaken. Ruk de kabel nooit los om de stekker uit het stopcontact te trekken. Hou de stekker vast en trek om hem uit het stopcontact te verwijderen.

5. Steek de eenheid terug in mekaar

- Stapel de mandjes en lijn ze uit, zodat alle vormen passen. Steek de T-hendels terug in hun verticale gleuven en plaats de mandjes terug in de filterbus. Het schuim in het bovenste mandje moet ongeveer gelijk staan met de bovenrand van de filterbus.

2. Breng het filterdeksel terug aan.

- Controleer de pakking van het deksel op schade.
- Plaats het filterdeksel terug op de bus. Er is maar één richting mogelijk. Druk zachtjes op het deksel tot de uitlaatbuis, vastgemaakt aan de binnenkant van de filterbus, stevig in de dekselopening voor de uitlaatklep (OUT) zit.

BELANGRIJK: als de inlaatbuis die aan het deksel van de filterbus vastzit, uit de zitting is geschoven, steek ze er dan helemaal terug in onder de IN-verbinding van het deksel.

- Breng de acht dekselsluitingen terug aan en draai ze met de hand vast. Het deksel is goed gesloten wanneer het rechtstreeks tegen de filterbus komt. **GEBRUIK GEEN GEREEDSCHAP, WANT DAT KAN DE EENHEID BESCHADIGEN.**

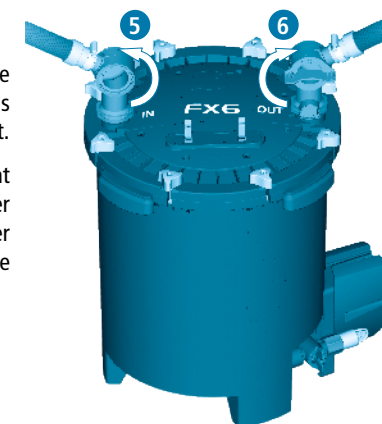
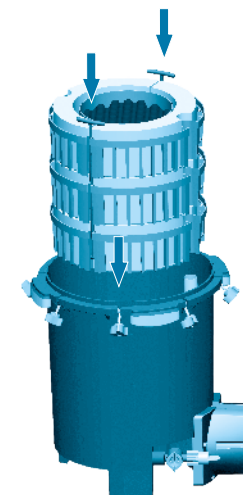
- Plaats de IN en OUT-kleppen terug op de dekselkoppelingen en druk stevig tot ze op hun plaats klikken. Zorg dat de IN-klep is aangesloten op de slang die is vastgemaakt aan de inlaatzeef, en de OUT-klep op de slang die is vastgemaakt aan de uitlaatpijp.

5. Open de IN-klep (draai in verticale stand).

- Open de OUT-klep terwijl de IN-klep al open is. Verander deze volgorde niet, anders zal de filterbus niet terug worden gevuld zoals het moet. Zie "Start de filter" als de filterbus niet langer gevuld wordt.

- U zal horen hoe de filterbus met water wordt gevuld. Intussen gaat er lucht door de uitlaatpijp, waardoor er belletjes in het aquariumwater ontstaan. Als die luchtbelletjes verdwenen zijn, steek dan de stekker van de voedingskabel terug in. De pomp zal opnieuw haar normale start/stopcyclus doorlopen zoals beschreven in "Start de filter".

Ander onderhoud moet worden uitgevoerd door een gemachtigde onderhoudsmedewerker.



VRAGEN? Indien u problemen of vragen heeft over de werking van dit product, wend u dan eerst tot ons alvorens het product terug te sturen naar uw verdeler. De meeste problemen kunnen onmiddellijk telefonisch worden afgehandeld. Desgewenst kunt u met ons ook contact opnemen via onze website www.fluvalaquatics.com.

DUITSLAND

ERKENDE DIENST VOOR ONDERHOUD EN HERSTELLING:
HAGEN Deutschland Gmb H & Co. KG
Lehmweg, 99-105, D-25488 Holm
Tel: 04103 / 960-0

FRANKRIJK

BEL ONS OP HET GRATIS NUMMER: +33 1 64 88 14 18
Vraag naar de Klantendienst.

ERKENDE DIENST VOOR HERSTELLING ONDER GARANTIE:

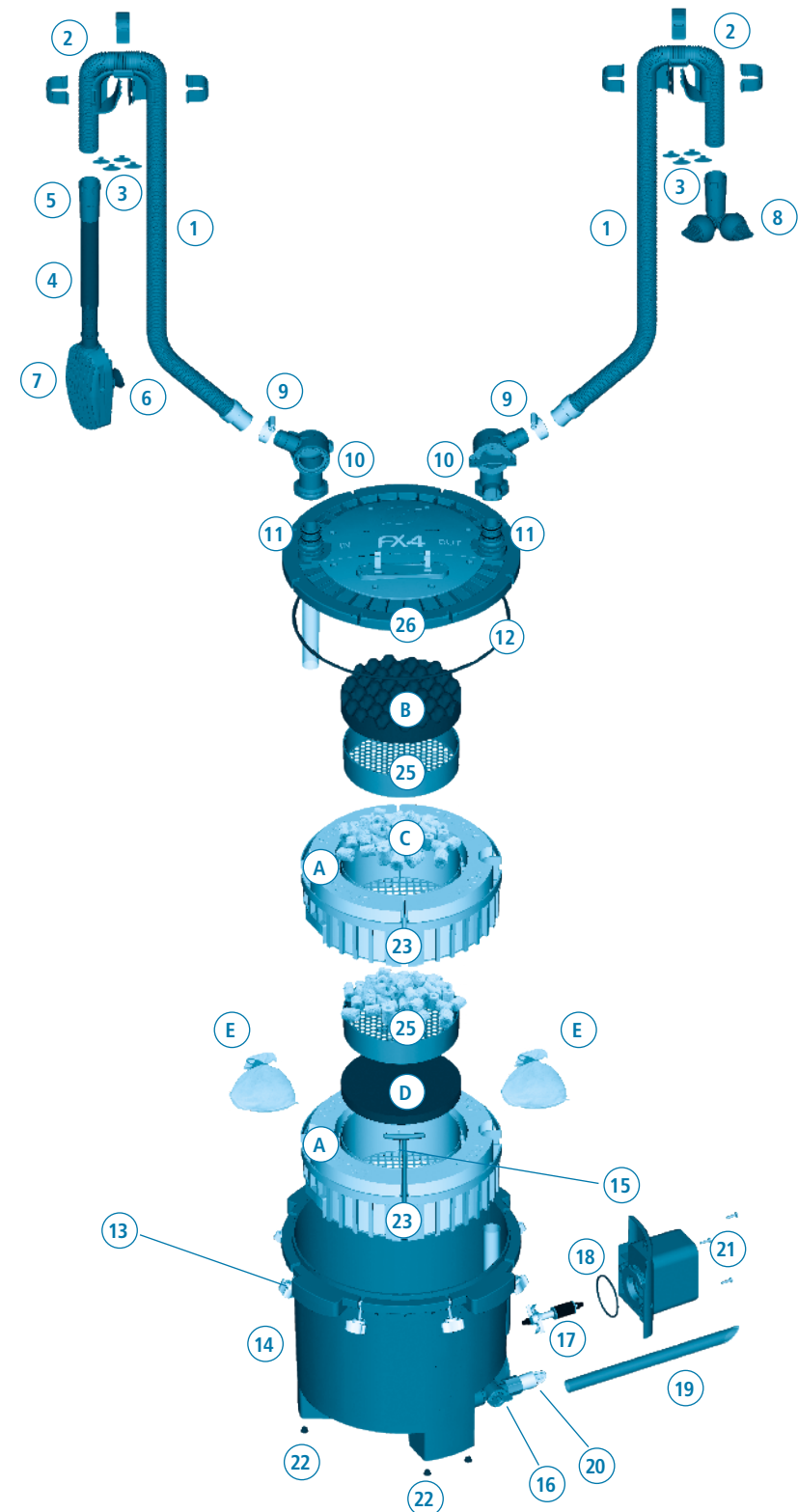
Terugsturen met gedateerd ontvangstbewijs en 4,00 euro port en transportkosten aan:
Rolf C. Hagen (France) SA., Parisud 4, boulevard Jean Monnet, F-77388 Combs la Ville

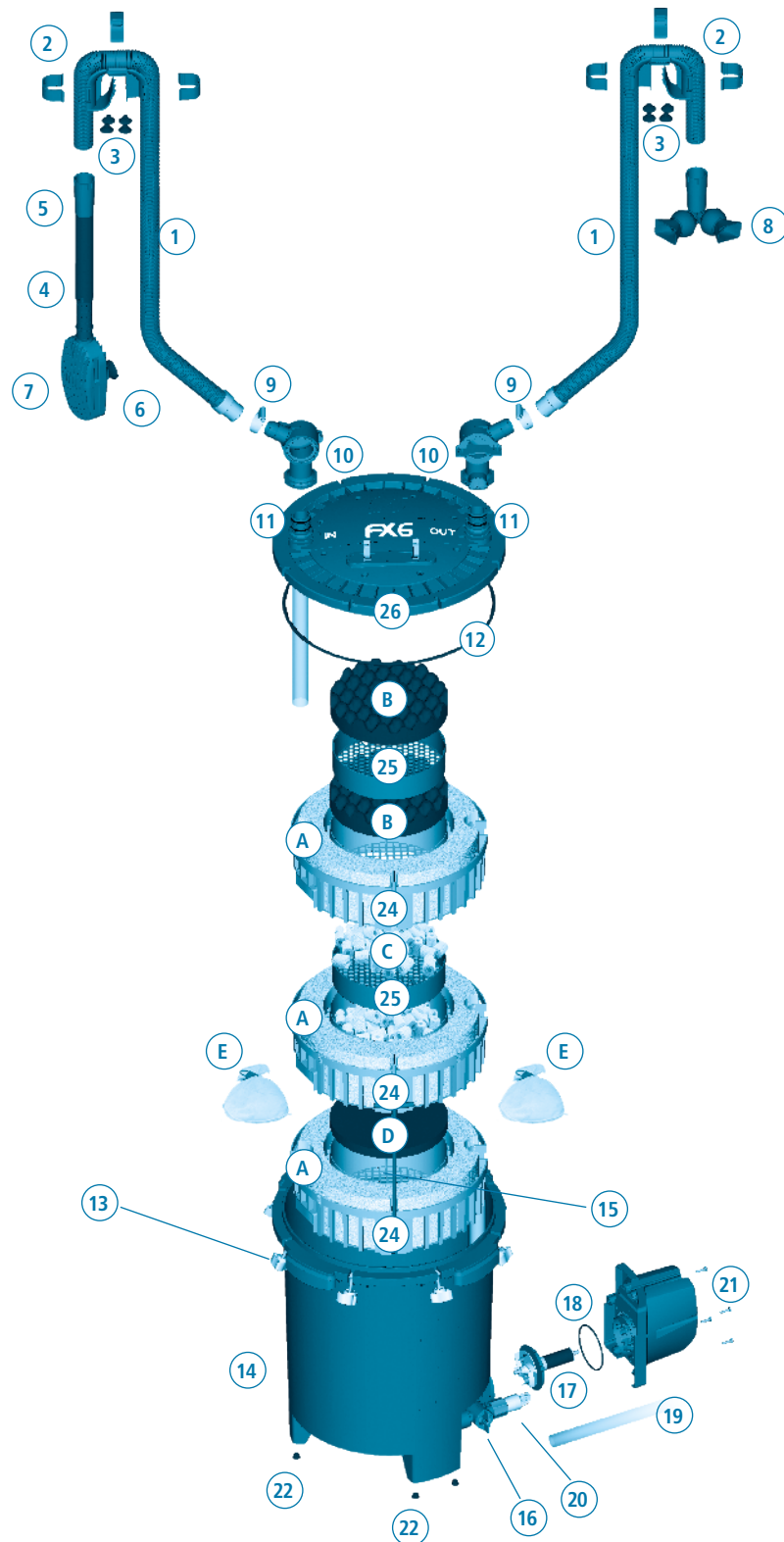


RECYCLING: Op dit toestel staat het symbool van de selectieve afvalsortering van elektrische en elektronische apparaten (WEEE). Dit betekent dat dit product moet worden verwerkt conform de Europese Richtlijn 2012/19/EG om te worden gerecycled of ontmanteld met het oog op een minimale impact op het milieu. Vraag aan uw lokale milieudienst naar de richtlijnen voor verwijdering of breng het product naar een officieel erkend inzamelpunt. Elektronische producten die niet worden opgenomen in het afvalsorteerproces, kunnen gevaarlijk zijn voor het milieu en de gezondheid door de aanwezigheid van schadelijke stoffen.

Drie jaar garantie

Bij een normaal gebruik en onderhoud van het aquarium is de Fluval FX4/FX6 Busfilter gewaarborgd tegen materiaal- en productiefouten gedurende een periode van 3 jaar vanaf de aankoopdatum. Niet-vervangbare en niet-duurzame onderdelen worden naar eigen goeddunken van Hagen kosteloos hersteld of vervangen, wanneer de volledige filter wordt teruggestuurd met alle onderdelen, samen met een geldig aankoopbewijs en portvrij. Deze garantie heeft geen betrekking op filters die onderhevig waren aan verkeerd gebruik, nalatigheid of schokken. Ze is evenmin van toepassing op filters die verkeerd zijn gemonteerd of onderhouden of waarbij de instructies voor installatie en onderhoud niet correct gevolgd zijn. De garantie is niet van toepassing op slijtageonderdelen zoals de rotor, het rotordeksel of de motorafdichting. Bij verlies of schade aan dieren of persoonlijke bezittingen is aansprakelijkheid uitgesloten, ongeacht de oorzaak ervan. Alvorens de filter onder de garantievoorwaarden terug te sturen, moet u ervoor zorgen dat alle montage-, regel- en onderhoudsinstructies gevolgd zijn. Als u twijfelt, vraag dan advies aan uw lokale aquariumspecialist alvorens het product terug te sturen. **DEZE WAARBORG HEEFT GEEN EFFECT OP UW STATUTAIRE RECHTEN.**





Peça	Descrição	Quantidade
1	Manguera estriada	1
2	Conector do aro (1) e cliques (3)	2
3	Ventosas do conector do aro	8
4	Tubo de entrada	1
5	Conectores de borracha	2
6	Ventosa do filtro de entrada	2
7	Filtro de entrada	1
8	Unidade de saída	1
9	Grampo de metal (para mangueira)	2
10	Válvulas AquaStop	2
11	O-ring Click-fit da tampa superior	4
12	O-Ring (tampa do filtro)	1
13	Fixadores da tampa	8
14	Caixa do filtro	1
15	Pega com barra em T	2
16	Válvula de conveniência	1
17	Conjunto do rotor magnético	1
18	Anel de vedação do motor	1
19	Manguera da válvula de conveniência	1
20	Tampão de drenagem	1
21	Unidade da bomba (motor) e cabo de alimentação	1
22	Calços em borracha	6
23	Cesto de meios - FX4	2
24	Cesto de meios - FX6	3
25	Tabuleiros de meios empilhável	2
26	Filter Lid	1

Número do item FX4	Número do item FX6	Quantidade Peças sobreselentes
A20236	A20236	1
A20230	A20230	1
A20232	A20232	4
A20225	A20225	1
A20228	A20228	2
A15041	A15041	4
A20221	A20221	1
A20227	A20226	1
A20234	A20234	2
A20216	A20216	1
A20212	A20212	2
A20210	A20210	1
A20215	A20215	1
N/A	N/A	
A20242	A20241	1
A20219	A20219	1
A20208	A20206	1
A20211	A20207	1
A20237	A20237	1
N/A	N/A	
A20202	A20201	1
A20121	A20121	4
A20239		1
	A20239	1
A20243	A20243	1
N/A	N/A	

Peça	Descrição	FX4 Quantidade	FX6 Quantidade	Número do item FX4	Número do item FX6	Quantidade Peças sobreselentes
A	Espuma	4	6	A228	A228	3
B	Bio-Foam	1	2	A239	A239	2
C	Anéis cerâmicos (BIOMAX)	2	2	A1456	A1456	1
D	Almofada de carbono	1	1	A249	A249	2
E	Embalagens de meios	2	2	A1428	A1428	2

AVISO - Para evitar ferimentos, deve seguir as precauções básicas de segurança, incluindo as seguintes:

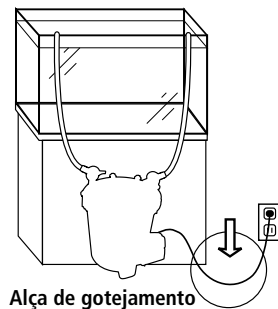
1. LEIA E SIGA TODAS AS INSTRUÇÕES DE SEGURANÇA

e todos os avisos importantes antes de utilizar o equipamento. O não cumprimento destas instruções poderá resultar na morte dos peixes e/ou danos no equipamento.

2. PERIGO – Para evitar possíveis choques elétricos, deve ter cuidados especiais, uma vez que é usada água na utilização do equipamento de aquário. Em cada uma das seguintes situações, não tente efetuar reparações; devolva o equipamento a um representante autorizado para manutenção ou elimine-o.

- Se o equipamento cair na água, NÃO tente agarrá-lo! Primeiro, desligue a ficha da tomada e, de seguida, retire-o da água. Se quaisquer componentes elétricos do equipamento se molharem, desligue imediatamente a ficha da tomada.
- Se o equipamento apresentar qualquer sinal de fugas de água anormais ou se o RCD (ou GFCI - Interruptor de Corrente Com Falhas de Ligação à Terra) se desligar, desligue o cabo de alimentação da fonte de alimentação e retire a bomba da água.
- Examine o equipamento com cuidado após a instalação. Não deve ser ligado à tomada se encontrar água em peças que não foram concebidas para ficarem molhadas.
- Não utilize o equipamento se este tiver uma ficha ou um cabo danificado, se funcionar de forma errada, se o deixar cair ou se estiver danificado de alguma forma. O cabo de alimentação deste equipamento não pode ser substituído. Se o cabo de alimentação estiver danificado, o equipamento deve ser eliminado. Nunca corte o cabo de alimentação.

E. Para evitar molhar a ficha ou a tomada do equipamento, coloque o equipamento ao lado de uma tomada de parede. Para evitar que caia água na tomada ou na ficha, o utilizador deve colocar uma "alça de gotejamento" no cabo que liga o equipamento a uma tomada (ver fotografia). A "alça de gotejamento" consiste naquela parte do cabo abaixo do nível da tomada ou da ficha e evita que a água percorra o cabo e entre em contacto com a tomada. Se a ficha ou a tomada ficarem molhadas, NÃO retire o cabo da tomada. Desligue o fusível ou o disjuntor que fornece energia ao equipamento. De seguida, retire a ficha da tomada e procure vestígios de água na tomada.



3. AVISO – É necessária supervisão quando o equipamento é utilizado por crianças ou junto das mesmas. Este equipamento pode ser utilizado por crianças a partir dos 8 anos de idade e por pessoas com capacidades físicas, sensoriais e mentais reduzidas ou com falta de experiência e conhecimento apenas sob supervisão ou caso tenham recebido instruções de utilização de forma segura do equipamento e compreendam os perigos envolvidos. As crianças não devem brincar com o equipamento. A limpeza e a manutenção por parte do utilizador não devem ser feitas por crianças sem supervisão.

- Para evitar ferimentos, não toque nas peças móveis ou quentes.
- CUIDADO** – Desligue sempre a alimentação elétrica de todos os equipamentos do aquário antes de colocar as mãos na água, antes de colocar ou retirar peças e durante a instalação, manutenção ou manuseamento do equipamento. Agarre a ficha e puxe-a para retirá-la da tomada. Nunca puxe um cabo com força para retirar uma ficha da tomada. Desligue sempre da tomada elétrica o equipamento quando não o estiver a utilizar.
- Este equipamento não é uma bomba de filtro de aquário submersível. Destina-se à utilização em aquários domésticos ornamentais. Pode ser utilizado com água doce ou salgada. Temperatura máxima da água de 35 °C. Não dê outra utilização ao equipamento para além daquela a que foi destinada (isto é: NÃO utilize em piscinas, banheiras, etc.). A utilização de acessórios não recomendados ou vendidos pelo fabricante do equipamento pode provocar uma situação de insegurança e invalidar a sua garantia.
- Este é um **EQUIPAMENTO DOMÉSTICO** apenas indicado para utilização em espaços **INTERIORES**. Não instale ou armazene o equipamento em locais onde fique exposto a condições climatéricas ou a temperaturas abaixo da congelação.
- Certifique-se de que o equipamento está instalado de forma segura antes de o colocar em funcionamento e de que a ligação elétrica está de acordo com os dados na etiqueta de classificação. Não deixe que a bomba de filtro seque.
- Se for necessário um cabo de extensão, deve utilizar um cabo com classificação apropriada. Um cabo com capacidade em amperes ou em watts inferior à do equipamento pode sobreaquecer. Deverá ter cuidado ao colocar o cabo de alimentação, de forma a que ninguém o puxe nem tropece sobre o mesmo. A ligação deve ser efetuada por um instalador elétrico qualificado.

10. GUARDE ESTAS INSTRUÇÕES para referência futura.

1. Antes de começar

- Para melhores resultados, encha o aquário com água antes de iniciar a configuração.
- Preveja 30-45 minutos para configuração e instalação.
- Ferramentas necessárias: Chave Phillips e x-acto.
- Leia todas as instruções antes de começar.

NÃO LIGUE O FILTRO ATÉ CONCLUSÃO DA CONFIGURAÇÃO E A UNIDADE ESTAR CHEIA DE ÁGUA.

2. Retire da embalagem e identifique todas as peças

Utilize o diagrama apresentado no início do manual.

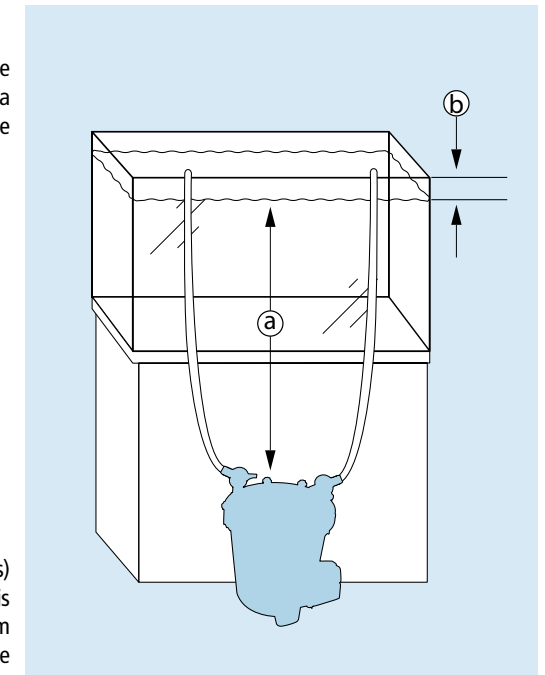
3. Prepare o aquário

- Decida a localização do filtro. Não se esqueça de que este é um sistema alimentado por gravidade. Para que funcione devidamente, todos os Requisitos de Instalação abaixo devem ser cumpridos.

	FX4	FX6
a	mín. 20 cm a 150 cm	mín. 20 cm a 150 cm
b	máx. 20 cm	máx. 20 cm

IMPORTANTE:

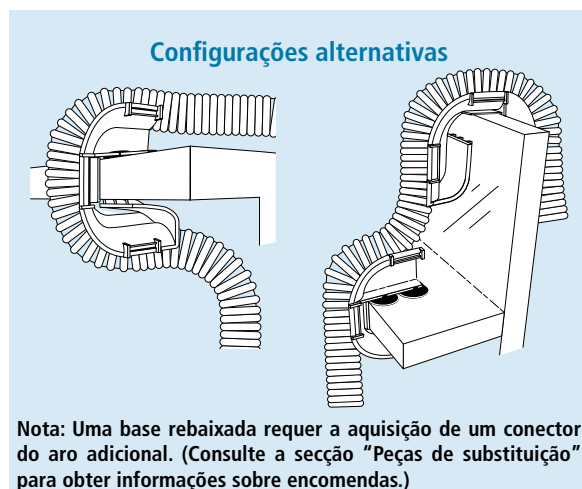
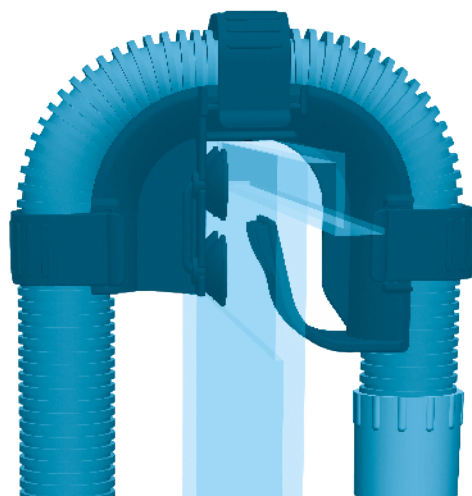
- NUNCA instale o filtro acima do nível da água.
- A mangueira fornecida com a unidade tem 4 m (13,1 pés) de comprimento. Se for necessária uma mangueira mais comprida, a entrada da mangueira não deverá exceder os 2 m (6,5 pés) e o comprimento total da mangueira de entrada e de saída em combinação não deverá exceder os 5 m (16,4 pés).
- A mangueira deve percorrer um trajeto reto desde o filtro ao aro do aquário, sem voltas ou folgas.
- Para o melhor desempenho, o filtro deve estar totalmente debaixo do aquário (tal como na figura indicada).
- Coloque a válvula de conveniência de forma a que possa ligar a mangueira fornecida sem mover a unidade.



1. Coloque os dois conectores do aro sobre a extremidade superior traseira do aquário. Coloque um por cima do local onde pretende posicionar o tubo de entrada; coloque o outro mesmo por cima do local onde pretende posicionar o bocal de saída. Certifique-se de que a extremidade longa do suporte se encontra no interior do aquário.

Os anéis de borracha nos conectores foram concebidos para permitir uma melhor aderência ao vidro. Se as paredes do aquário tiverem uma espessura inferior a 1,58 cm (5/8 pol.), substitua o anel de borracha pelas quatro ventosas mais pequenas fornecidas.

IMPORTANTE: Certifique-se de que coloca o tubo de entrada afastado de qualquer fonte de ar—pedra porosa dispositivo de arejamento, escumador de proteínas ou válvula de saída. O ar que entra no filtro de entrada irá diminuir a eficiência do filtro.

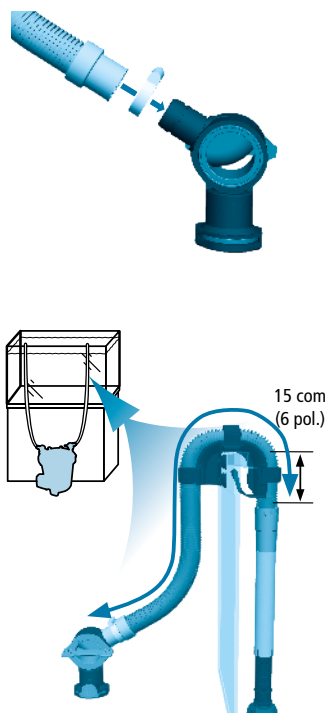


1. Prepare as ligações de entrada

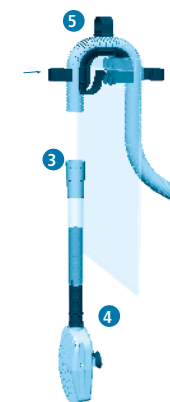
1. Ligue a mangueira a uma das duas válvulas (com marcação "IN" (ENTRADA)):
 - A. Desaperte um dos grampos de metal e faça-o deslizar até uma extremidade da mangueira (a parte de borracha).
 - B. Empurre a extremidade da mangueira na direção da válvula; empurre por completo, até onde possível.
 - C. Coloque o grampo de metal por cima do conector de borracha e aperte.
2. Meça e corte a mangueira. Irá precisar de uma mangueira com um comprimento que permita ir desde o interior do aquário até à caixa do filtro.

IMPORTANTE: A mangueira deve percorrer um trajeto reto desde o filtro ao aro do aquário, sem voltas ou folgas. Se a mangueira for demasiado comprida, o filtro não funcionará de forma eficiente (a mangueira tem um comprimento máximo de 2 m/6,5 pés).

 - D. Coloque a extremidade da válvula da mangueira no local aproximado onde irá colocar a tampa do filtro (depois de o filtro estar instalado).
 - E. Estique a mangueira de forma a que fique pousada sobre o suporte do aro de "entrada".
 - F. Num ponto a cerca de, pelo menos, 15 cm (6 pol.) para lá do aro do aquário utilize um x-acto para cortar a mangueira. Não a corte muito curta. Não se esqueça que pode sempre cortá-la mais curta na instalação final, se necessário.



3. Empurre a extremidade cortada desta mangueira de "entrada" na direção do conector de borracha no tubo de entrada. Empurre a mangueira pelo menos 2,5 cm (1 pol.) sem a torcer.
4. Coloque o filtro de entrada no aquário, certificando-se de que está a pelo menos 7,5 cm (3 pol.) do fundo. Ajuste o tubo de entrada para a melhor extensão no seu aquário, respeitando a regra de ficar a 7,5 cm (3 pol.) do fundo. Depois de posicionar corretamente o filtro de entrada, bloqueie-o na devida posição pressionando as ventosas contra o vidro.
5. Fixe a mangueira do filtro de entrada no conector do aro usando os três cliques do conector do aro.

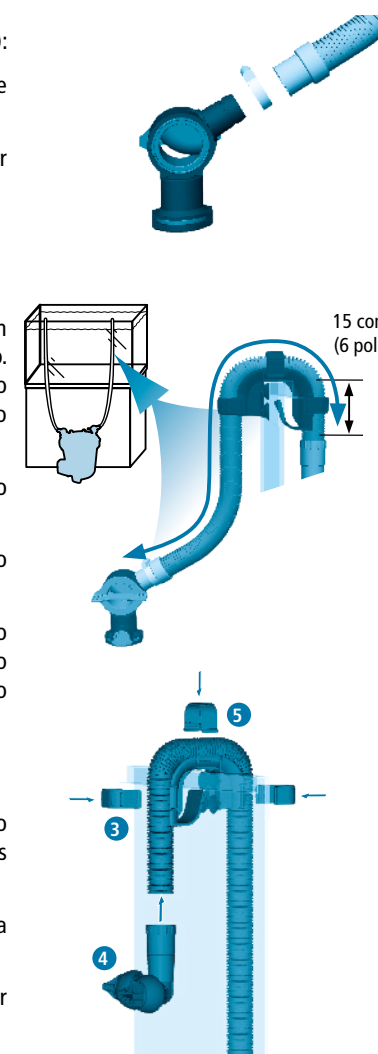


5. Prepare as ligações de saída

1. Ligue a mangueira à segunda válvula (tal como na mangueira de entrada):
 - A. Desaperte o segundo grampo de metal e faça-o deslizar até à extremidade com acabamento de fábrica da mangueira (não a extremidade cortada).
 - B. Empurre a extremidade da mangueira na direção da válvula; empurre por completo, até onde possível.
 - C. Coloque o grampo de metal por cima do conector de borracha e aperte.
2. Meça e corte a mangueira. Irá precisar, novamente, de uma mangueira com um comprimento que permita ir desde o interior do aquário até à caixa do filtro.

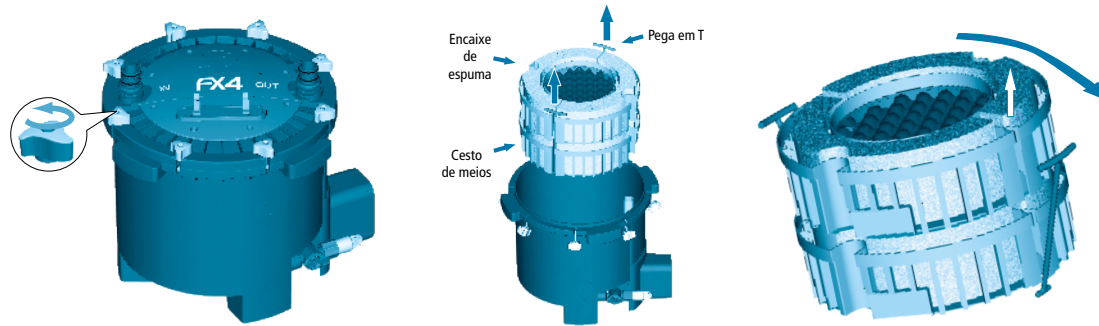
IMPORTANTE: A mangueira deve percorrer um trajeto reto desde o filtro ao aro do aquário, sem voltas ou folgas. Se a mangueira for demasiado comprida, o filtro não funcionará de forma eficiente

 - A. Coloque a extremidade da válvula da mangueira no local aproximado onde irá colocar a tampa do filtro (depois de o filtro estar instalado).
 - B. Estique a mangueira de forma a que fique pousada sobre o suporte do aro de "saída".
 - C. Num ponto a cerca de, pelo menos, 15 cm (6 pol.) para lá do aro do aquário utilize um x-acto para cortar a mangueira. Não a corte muito curta. Não se esqueça que pode sempre cortá-la mais curta na instalação final, se necessário.



6. Prepare o filtro

1. Desaperte e desengate os oito fixadores da tampa.
2. Retire a tampa do filtro e coloque-a de lado. Cuidado para não danificar o tubo de entrada ligado à tampa.
3. Utilizando as pegas em T vermelhas, levante os cestos de meios da caixa do filtro. As pegas em T cairão para fora para que os cestos possam ser manuseados em separado. As imagens abaixo referem-se a FX4; FX6 possui um cesto adicional.



4. Lave os cestos, tabuleiros dos meios e materiais dos meios com água da torneira para remover qualquer poeira e coloque os meios na posição original. Ou, se preferir, selecione outro meio da sua preferência.

IMPORTANTE: Para impedir a entrada de partículas na câmara do rotor, bloqueando elou danificando o rotor, todos os materiais de filtragem em grânulos soltos (Carbão, Zeo-Carb, Eliminador de Amoníaco, Grânulos de Turfa, etc.) devem ser colocados numa embalagem de meios de filtragem. Utilize as embalagens no cesto inferior para estes meios de filtragem. NUNCA encha em demasia os cestos. Deixe, pelo menos, 1 cm (0,5 pol.) de espaço livre desde a parte superior até aos meios, para que os cestos encaixem devidamente. Se o tabuleiro vermelho estiver presente, os meios na parte inferior do cesto não devem exceder a altura do tabuleiro que suporta o cesto.

5. Certifique-se de que cada tipo de meio está colocado ao mesmo nível a que foi acondicionado, exceto se estiver a escolher deliberadamente um plano de filtragem diferente da configuração recomendada.
6. Empilhe os cestos, alinhando-os cuidadosamente, para que todas as formas coincidam. Insira novamente as pegas em T nas respetivas ranhuras verticais e coloque os cestos na caixa do filtro. A espuma do cesto superior deve ficar quase alinhada com a extremidade superior da caixa (o tubo de saída, que está fixo no interior da caixa, irá sobressair ligeiramente).
7. Mova a caixa do filtro para a posição final.
8. Certifique-se de que a válvula de conveniência está na posição vertical (fechada).
9. Encha a caixa do filtro com, pelo menos, 6 litros (1,6 galões) de água para FX4 e 8 litros (2 galões) de água para FX6.

IMPORTANTE: É necessário o volume de água correto para a purga do sistema.

10. Coloque novamente a tampa do filtro na caixa. Certifique-se de que o anel de vedação da tampa do filtro está devidamente colocado na tampa da caixa. Apenas existe uma orientação possível. Pressione suavemente a tampa para baixo até que o tubo de saída fique firmemente assente na ligação de SAÍDA da tampa do filtro.

IMPORTANTE: Se o tubo de entrada ligado à tampa da caixa tiver saído do lugar, certifique-se de que volta a inseri-lo sob a ligação de ENTRADA da tampa.

11. Coloque novamente os oito fixadores da tampa e aperte-os manualmente. A tampa está devidamente fechada quando fica em contacto direto com a caixa. NÃO UTILIZE QUAISQUER FERRAMENTAS, POIS PODERÁ DANIFICAR A UNIDADE.

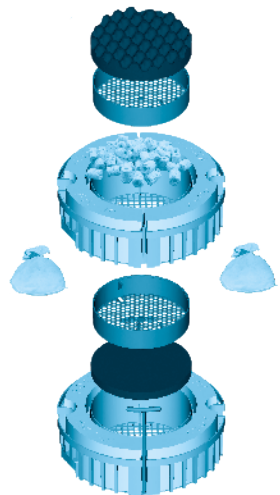
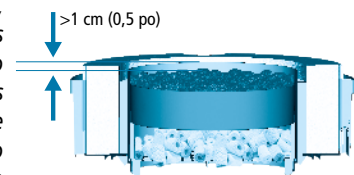


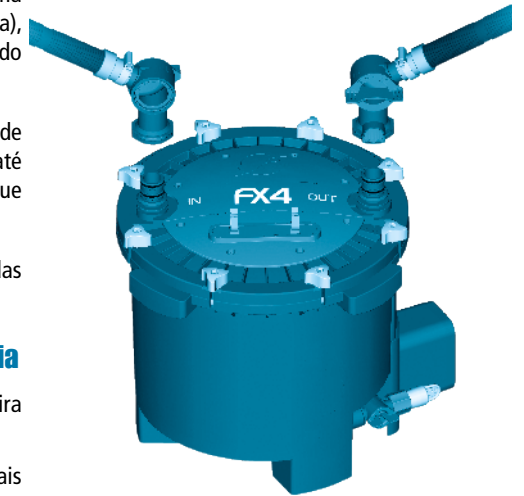
Ilustração de FX4

7. Instale o filtro

1. Quando a unidade do filtro se encontrar na posição final, certifique-se de que o aquário possui a quantidade adequada de água.

IMPORTANTE: Antes de prosseguir, verifique os Requisitos de Instalação na secção N.º 3 do capítulo "Instalação e utilização".

2. Segure na válvula de entrada (que se encontra na extremidade da mangueira ligada ao tubo de entrada), faça-a deslizar até à ligação de ENTRADA na tampa do filtro e pressione até que encaixe na posição correta.
3. Segure na válvula de saída (que se encontra na extremidade da mangueira ligada ao bocal de saída), faça-a deslizar até à ligação de SAÍDA na tampa do filtro e pressione até que encaixe na posição correta.
4. Certifique-se de que ambas as válvulas estão bloqueadas na devida posição antes de avançar.



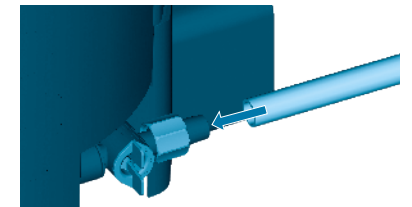
8. Instale a mangueira da válvula de conveniência

A válvula de conveniência na base da unidade e a sua mangueira permitem:

- Efetue a descarga da água dentro do filtro para o tornar mais leve e possibilitar a sua movimentação.
- Mude a água do aquário: esvazie e reabasteça.
- Use o kit de limpeza de gravilha FX (vendido em separado).

Para instalar a mangueira de conveniência, efetue o seguinte:

1. Certifique-se de que a válvula de conveniência está na posição fechada (vertical); rode a porca de bloqueio para a direita para a soltar e, depois, remova o tampão de borracha.
2. Ligue uma extremidade da mangueira fornecida à válvula de conveniência. Rode a porca de bloqueio para a direita enquanto empurra a mangueira na direção da válvula. (criar uma nova imagem)
3. Ligue a outra extremidade da mangueira aos cliques na tampa. (criar uma nova imagem)



AVISO: É importante deixar a válvula na posição DESLIGADA quando não estiver a ser utilizada. Uma válvula aberta irá resultar num derrame imediato de água.

9. Inicie o filtro

5. Verifique a sua instalação.

Antes de ligar o filtro, certifique-se de que:

- A. A válvula de conveniência está na posição fechada (vertical).
- B. Todos os fixadores da tampa superior estão bem apertados.
- C. O filtro de entrada está totalmente submerso na água.
- D. Na caixa do filtro existem, pelo menos, 6 litros (1,6 galões) de água para FX4 e 8 litros (2 galões) de água para FX6.

MUITO IMPORTANTE: Tenha em atenção que assim que ligar a unidade, esta irá iniciar e irá passar imediatamente pela sequência de purga automática.

1. 2. Abra as alavancas da válvula de ENTRADA e SAÍDA colocando-as na posição vertical.
3. Ligue a unidade a uma tomada elétrica. A sequência de purga automática eletrónica irá iniciar. Ocorrerá o seguinte:
 - E. A bomba funcionará durante 1 minuto para encher a caixa do filtro com água do aquário.
 - F. A bomba parará durante 2 minutos para expulsar o ar da caixa do filtro.
 - G. A bomba começará a funcionar novamente; permanecerá ligada e funcionará continuamente até ser desligada.

Esta sequência irá repetir-se sempre que a unidade for desligada e novamente ligada.

A cada 12 horas, a bomba parará durante 1 minuto para expulsar todo o ar que possa ter ficado no interior da unidade.



ESPECIFICAÇÃO DO FLUVAL FX

	FX4		FX6	
	250 galões	1,000 litros	400 galões	1.500 litros
Capacidade do aquário:	250 galões	1,000 litros	400 galões	1.500 litros
Saída da bomba:	700 g/h	2.650 L/h	925 g/h	3.500 L/h
Área mecânica (espuma)	217 pol. ²	1,400 cm ²	325,5 pol. ²	2.100 cm ²
Volume biológico:	1 galão	3,9 L	1,5 galões	5,9 L
Volume de filtragem:	3,7 galões	14 L	5,28 galões	20 L
Circulação de filtragem*:	450 g/h	1,700 L/h	563 g/h	2.130 L/h
Altura da cabeça (máx.):	6,9 pés	2,1 m	10,8 pés	3,3 m
Potência 120 V/60 Hz:	30W		43 W	
Potência 230-240 V/50 Hz:	30W		41 W	

*Nota: As taxas de fluxo foram medidas com mangueiras de entrada e de saída com o mesmo comprimento e sem meios.

CUIDADO: Desligue sempre quaisquer equipamentos de uma tomada quando não estiver a ser utilizada, antes de instalar ou retirar quaisquer peças e antes de limpar. Nunca puxe um cabo com força para retirar uma ficha da tomada. Agarre a ficha e puxe-a para retirá-la da tomada.

IMPORTANTE

Para garantir um funcionamento ideal e adequado do seu Filtro Externo Fluval FX é necessário efetuar uma manutenção regular. Se não seguir estas advertências, tal poderá avariar o filtro e irá invalidar a sua garantia. Para além disso, a manutenção e a limpeza regulares irão reduzir bastante ou prevenir totalmente a ocorrência de avarias e a redução no desempenho. Consulte o plano de manutenção em baixo.

TABELA DE FREQUÊNCIA DE MANUTENÇÃO

COMPONENTES	MENSAL	TRIMESTRAL	SEMESTRAL	ANUAL
Rotor magnético		Verificar e limpar		Substituir
Anel de vedação do motor		Verificar e limpar		Substituir
Tubo/filtro de entrada		Verificar e limpar		
Mangueira estriada			Verificar e limpar	
Espuma mecânica	Verificar e limpar		Substituir metade da quantidade	
Bio-Foam		Verificar e limpar	Substituir	
BIOMAX	Enxaguar		Substituir metade da quantidade	
Almofada de carbono	Substituir			
Caixa (interior)*	Verificar e limpar			

MANUTENÇÃO DO AQUÁRIO

Os filtros FX permitem-lhe efetuar uma manutenção fácil e eficiente do seu aquário.

Limpeza da gravilha

Para esta operação recomendamos que utilize o kit de limpeza de gravilha FX. Consulte as instruções incluídas com o seu Kit de Limpeza de Gravilha FX.

Mudar a água

Para esta operação consulte a folha de instruções plástica incluída com o seu filtro.

*** IMPORTANTE:** Durante estas operações, pode ficar ar no interior da caixa que pode agitar a sujidade no fundo. Caso não faça a manutenção regular do interior da caixa, tal como recomendado na tabela de frequência de manutenção, algumas partículas poderão entrar novamente no aquário.

CUIDADO: Desligue sempre quaisquer equipamentos de uma tomada quando não estiver a ser utilizada, antes de instalar ou retirar quaisquer peças e antes de limpar. Nunca puxe um cabo com força para retirar uma ficha da tomada. Agarre a ficha e puxe-a para retirá-la da tomada.

MANUTENÇÃO DO FILTRO

Antes de realizar as tarefas de manutenção periódica, é necessário drenar a caixa.

1. Drene o filtro

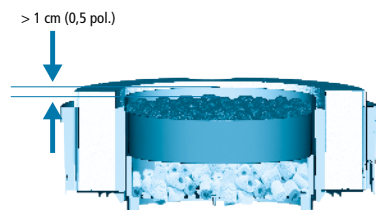
1. Coloque as válvulas de ENTRADA e de SAÍDA em sequência na posição fechada (horizontal).
2. Desligue a bomba da fonte de alimentação elétrica.
3. Remova a mangueira de conveniência dos cliques na tampa e posicione a sua extremidade num recipiente ou local de descarga adequado.
4. Coloque a válvula de purga na posição aberta (horizontal) rodando-a para a esquerda. Em seguida, desligue a válvula de SAÍDA.
5. A água começará a drenar imediatamente da caixa. Uma vez que se trata de um método alimentado pela gravidade, a água deixará de drenar assim que o nível de água na caixa e o recipiente de drenagem Assim que isso acontecer, basta fechar a válvula e esvaziar o recipiente. Repita o processo de drenagem até ser retirada água suficiente para tornar a caixa suficientemente leve para transportar para a sua área de trabalho.

2. Desmonte a unidade

1. Coloque o filtro numa área conveniente para realizar operações de manutenção.
2. Desaperte e retire os oito fixadores da tampa; retire a tampa do filtro e coloque-a de lado. Cuidado para não danificar o tubo de entrada ligado à tampa.
3. Utilizando as pegas em T vermelhas, levante os cestos de meios da caixa do filtro; deixe as pegas em T cair das ranhuras e separe os cestos.

3. Limpeza ou substituição de meios

1. Retire todos os encaixes de espuma dos cestos de meios e tabuleiros, lave com água do aquário ou água da torneira sem cloro ou substitua com espuma nova, conforme necessário.
2. Lave os meios biológicos com água do aquário, ou substitua, conforme necessário.
3. Substitua os meios químicos, conforme necessário. Os meios químicos não podem ser limpos.
4. utilize sabão ou detergentes para limpar a caixa ou lavar os cestos e tabuleiros, uma vez que os vestígios de produtos de limpeza poderão danificar os tecidos sensíveis dos peixes.
5. NUNCA encha em demasia os cestos. Deixe, pelo menos, 1 cm (0,5 pol.) de espaço livre desde a parte superior até aos meios, para que os cestos encaixem devidamente. Se o tabuleiro vermelho estiver presente, os meios na parte inferior do cesto não devem exceder a altura do tabuleiro que suporta o cesto.



CUIDADO: Desligue sempre quaisquer equipamentos de uma tomada quando não estiver a ser utilizada, antes de instalar ou retirar quaisquer peças e antes de limpar. Nunca puxe um cabo com força para retirar uma ficha da tomada. Agarre a ficha e puxe-a para retirá-la da tomada.

4. Cuidados com a bomba

MANUTENÇÃO DO ROTOR FX4

A cavidade do rotor possui uma característica eficaz de autolimpeza. No entanto, recomenda-se a remoção do motor e a inspeção do rotor como parte da sua rotina de manutenção. Se mantiver o rotor limpo, irá prolongar o seu tempo de vida útil e o tempo de vida útil do motor. Antes de realizar a manutenção da bomba terá de retirar toda a água do filtro FX6, custos dos meios e meios.

1. Para remover a unidade da bomba:

- A. Coloque a unidade do filtro ao contrário numa área de trabalho segura para que os parafusos da bomba e respetivos orifícios fiquem visíveis. Tenha em atenção que o tubo de saída fica ligeiramente saliente em relação ao aro superior da caixa. Não dobre nem danifique o tubo enquanto este está virado ao contrário.
- B. Desaperte os 3 parafusos de fixação com uma chave Phillips (cabeça em T). Os parafusos encontram-se em torno da estrutura do motor.
- C. Retire o conjunto do rotor segurando na ventoinha e removendo-a com cuidado da cavidade.

NOTA: O rotor é constituído por 4 peças:

- D. Veio do rotor. O veio do rotor é perfeitamente retido em ambos os lados do rotor graças a dois casquilhos de borracha. O veio pode ser facilmente extraído de forma manual e com cuidado.

IMPORTANTE: O veio é concebido em cerâmica, resistente ao desgaste decorrente da utilização, mas continua a ser frágil. Manuseie com cuidado durante a manutenção.

- E. Casquilho de borracha frontal. Se permanecer na secção vermelho da caixa, é necessário removê-lo tendo o cuidado para não danificá-lo.
- F. Casquilho de borracha traseiro. Se o casquilho de borracha permanecer em posição, não é necessário removê-lo.
- G. Conjunto do rotor (íman + ventoinha do rotor)

2. Limpe cuidadosamente o rotor e a cavidade do rotor lavando com água corrente.

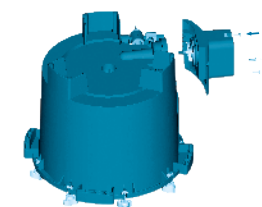
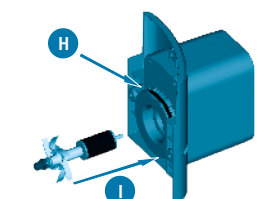
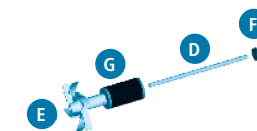
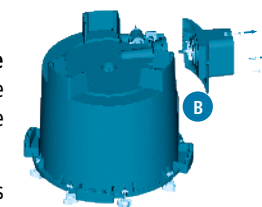
3. Volte a montar todos os componentes da bomba cuidadosamente:

- H. Substitua o anel de vedação, se necessário: Retire-o da abertura. Consulte a "Tabela de Frequência de Manutenção". Para esta operação não utilize quaisquer ferramentas pois existe o risco de danificar o O-ring.
- I. Volte a montar as peças na seguinte ordem: Casquilho de borracha traseiro no fundo da cavidade (se removido), veio de cerâmica (empurrar até parar); em seguida, o conjunto do rotor e, por fim, o casquilho de borracha frontal na parte superior do veio de cerâmica. O veio pode ser facilmente reinserido de forma manual; no entanto, preste atenção certificando-se de que o casquilho de borracha não fica desencaixado.

4. Volte a colocar cuidadosamente a unidade da bomba na caixa utilizando os 3 parafusos de fixação, com uma chave de parafusos Phillips (cabeça em T). Enquanto monta novamente a bomba, os 3 parafusos de fixação devem ser cuidadosamente aparafusados até a tampa do motor da bomba e a caixa ficarem devidamente fixas.

NOTA: Não aperte em demasia a mangueira à caixa.

IMPORTANTE: Certifique-se de que o anel de vedação não escorrega da respetiva posição.



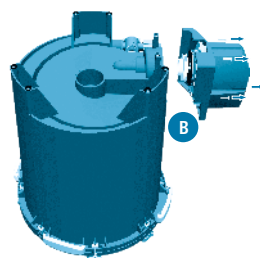
CUIDADO: Desligue sempre quaisquer equipamentos de uma tomada quando não estiver a ser utilizada, antes de instalar ou retirar quaisquer peças e antes de limpar. Nunca puxe um cabo com força para retirar uma ficha da tomada. Agarre a ficha e puxe-a para retirá-la da tomada.

MANUTENÇÃO DO ROTOR FX6

A cavidade do rotor possui uma característica eficaz de autolimpeza. No entanto, recomenda-se a remoção do motor e a inspeção do rotor como parte da sua rotina de manutenção. Se mantiver o rotor limpo, irá prolongar o seu tempo de vida útil e o tempo de vida útil do motor. Antes de realizar a manutenção da bomba terá de retirar toda a água do filtro FX6, cestos dos meios e meios.

1. Para remover a unidade da bomba:

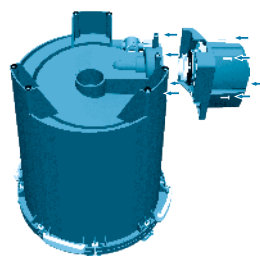
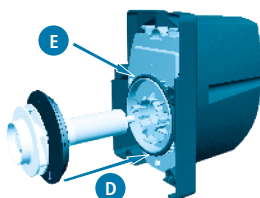
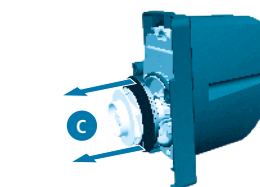
- A. Coloque a unidade do filtro ao contrário numa área de trabalho segura para que os parafusos da bomba e respetivos orifícios fiquem visíveis. Tenha em atenção que o tubo de saída fica ligeiramente saliente em relação ao aro superior da caixa. Não dobre nem danifique o tubo enquanto este está virado ao contrário.
- B. Desaperte os 4 parafusos de fixação com uma chave Phillips (cabeça em T). Os parafusos encontram-se em torno da estrutura do motor.
- C. Retire o conjunto do rotor segurando na respetiva flange (disco preto).



2. Limpe cuidadosamente o rotor e a cavidade do rotor lavando com água corrente.

3. Volte a montar todos os componentes da bomba cuidadosamente:

- D. Alinhe as duas setas no conjunto do rotor. Antes de inserir o rotor, pressione suavemente o íman contra a flange para garantir que o casquilho da flange está devidamente encaixado.
 - E. Coloque novamente o anel de vedação, se necessário. Consulte a Tabela de Frequência de Manutenção.
4. Volte a fixar a unidade da bomba à caixa utilizando os 4 parafusos de fixação com uma chave Phillips (cabeça em T). Quando montar novamente a bomba, os 4 parafusos de fixação devem ser cuidadosamente aparafusados até a tampa do motor da bomba e a caixa fiquem devidamente fixas. Nota: Não aperte em demasia a mangueira à caixa.



IMPORTANTE: Certifique-se de que o rolamento do rotor (casquilho e O-Ring) está devidamente colocado no fundo da cavidade do rotor. Embora o casquilho seja fabricado em material muito resistente é propenso a determinadas condições de desgaste. Por este motivo recomendamos que o substitua sempre que a unidade do rotor seja substituída. Siga as instruções disponibilizadas com a embalagem das peças de substituição. Para mais detalhes, consulte a Tabela de frequência de manutenção.

IMPORTANTE: Certifique-se de que o anel de vedação não escorrega entre a flange do rotor e o motor e que o rolamento do rotor (casquilho e O-Ring) está devidamente colocado no fundo da cavidade do rotor.

CUIDADO: Desligue sempre quaisquer equipamentos de uma tomada quando não estiver a ser utilizada, antes de instalar ou retirar quaisquer peças e antes de limpar. Nunca puxe um cabo com força para retirar uma ficha da tomada. Agarre a ficha e puxe-a para retirá-la da tomada.

5. Volte a montar a unidade

1. Empilhe os cestos, alinhando-os para que todas as formas coincidam. Insira novamente as pegas em T nas respetivas ranhuras verticais e coloque os cestos na caixa do filtro. A espuma que se encontra no cesto superior deve coincidir com a extremidade superior da caixa.

2. Coloque novamente a tampa do filtro.

- A. Inspeccione a vedação da tampa quanto ao desgaste.
- B. Coloque novamente a tampa do filtro na caixa. Apenas existe uma orientação possível. Pressione suavemente a tampa para baixo até que o tubo de saída, fixo no interior da caixa do filtro, fique firmemente assente na abertura da tampa da válvula de SAÍDA.

IMPORTANTE: Se o tubo de entrada ligado à tampa da caixa tiver saído do lugar, certifique-se de que volta a inseri-lo sob a ligação de ENTRADA da tampa.

3. Coloque novamente os oito fixadores da tampa e aperte-os manualmente. A tampa está devidamente fechada quando fica em contacto direto com a caixa. **NÃO UTILIZE QUAISQUER FERRAMENTAS, POIS PODERÁ DANIFICAR A UNIDADE.**

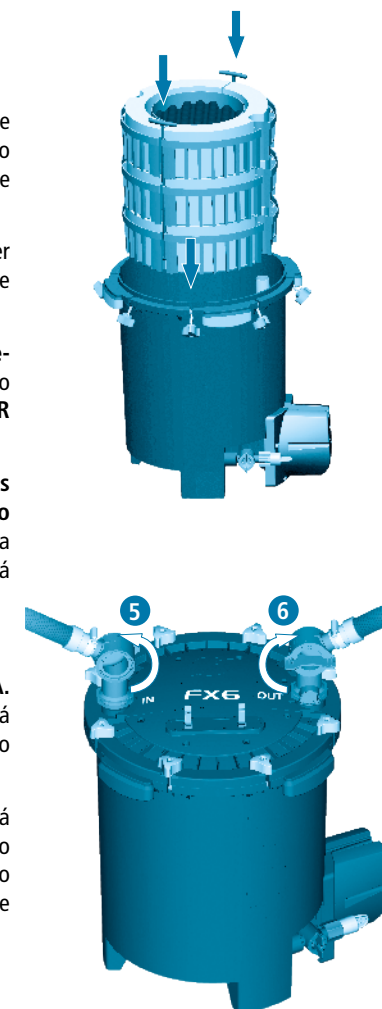
4. Coloque novamente as válvulas de ENTRADA e de SAÍDA nos conectores da tampa e pressione firmemente até encaixarem no devido lugar. Certifique-se de que a válvula de ENTRADA está ligada à mangueira fixa ao filtro de entrada e que a válvula de SAÍDA está ligada à mangueira fixa ao bocal de saída.

5. Abra a válvula de ENTRADA (coloque na posição vertical).

6. Com a válvula de ENTRADA já aberta, abra a válvula de SAÍDA. Não altere esta sequência, caso contrário, a caixa não encherá devidamente. Se a caixa já não estiver purgada, consulte "Iniciar o Filtro".

7. Conseguirá ouvir a água a encher a caixa. Entretanto, o ar será expulso através do bocal de saída, provocando borbulhas e agitação no aquário. Quando as borbulhas no aquário pararem, volte a ligar o cabo de alimentação. A bomba retomará a sequência de paragem/arranque normal, tal como descrito em "Iniciar o filtro".

Qualquer outra tarefa de manutenção deve ser efetuada por um representante autorizado.



DÚVIDAS? Se tiver qualquer problema ou questão acerca do funcionamento deste produto, deixe-nos tentar ajudá-lo antes de o devolver ao seu fornecedor. Muitos dos problemas podem ser resolvidos rapidamente com um telefonema. Ou, se preferir, pode contactar-nos através do nosso website em www.fluvalaquatics.com.

CANADÁ:

20500 Trans Canada Hwy, Baie D'Urfé QC H9X 0A2

Apenas para o Canadá: 1-800-554-2436 entre as 9h00 e as 16h30, horário da costa leste.

Requisitar o Serviço de

Apoio ao Cliente.

E.U.A.:

Rolf C. Hagen (U.S.A.) Corp .

305 Forbes, Blvd, Mansfield, MA. 02048

Apenas nos E.U.A.: 1-800-724-2436 entre as 9h00 e as 16h00, horário da costa leste.

Requisitar o Serviço de Apoio ao Cliente



RECICLAGEM: Este símbolo significa uma triagem seletiva de resíduos de equipamentos elétricos e eletrónicos (REEE). Isto significa que este produto deve ser tratado de acordo com a Diretiva Europeia 2012/19/CE para ser reciclado ou desmantelado, de modo a minimizar o seu impacto ambiental. Consulte a sua Agência Ambiental local quanto a possíveis instruções de eliminação do produto ou entregue-o num centro de recolha de resíduos registado. Os produtos eletrónicos não incluídos no processo de triagem seletiva são potencialmente perigosos para o ambiente e para a saúde devido à presença de substâncias perigosas.

Três anos de garantia

Os Filtros da Caixa Fluval FX4/FX6 incluem uma garantia contra defeitos de material e de mão-de-obra sob utilização e manutenção normais do aquário durante 3 anos a partir da data de compra. As peças não substituíveis e não reparáveis serão reparadas ou substituídas segundo critérios da Hagen, sem custos adicionais, se o filtro for devolvido com todos os componentes, juntamente com uma prova de compra válida e com os portes de envio pagos. Esta garantia não se aplica a qualquer filtro que tenha sido submetido a utilizações impróprias, negligência ou adulteração. Não se aplica a filtros que tenham sido montados de forma incorreta ou sujeitos a manutenção inadequada ou cujas instruções de instalação e manutenção não tenham sido corretamente seguidas. A garantia não se aplica a peças de desgaste, tais como o rotor, a tampa do rotor ou o vedante do motor. Não nos responsabilizamos por perdas ou danos a animais ou propriedade pessoal, independentemente da causa. Antes de devolver o filtro de acordo com os termos de garantia, certifique-se de que todas as instruções de configuração e manutenção foram seguidas. Em caso de dúvidas, contacte o seu vendedor local especialista de aquários para mais informações antes de devolver o produto. **ISTO NÃO AFETA OS SEUS DIREITOS ESTATUTÁRIOS.**



CANADA

Rolf C. Hagen Inc.
20500 Trans Canada Hwy
Baie d'Urfé, Québec H9X 0A2
Tel: 514-457-0914

USA

Rolf C. Hagen (USA) Corp.
305 Forbes Blvd.
Mansfield, MA 02048
Tel: (800) 724-2436

UK

Customer Service Department
Rolf C. Hagen (UK) Ltd.
California Drive
Whitwood Industrial Estate,
Castleford WF10 5QH,
West Yorkshire
Tel: 01977 521015

FRANCE

Rolf C. Hagen (France) S.A.
Zone Parisud 4
Boulevard Jean Monnet
F-77388 Combs-la-Ville
Tel: +33 1 64 88 14 18

GERMANY

Hagen Deutschland GmbH & Co. KG
Lehmweg 99-105
25488 Holm
Tel: 04103 / 960-0

MALAYSIA

Rolf C. Hagen (Sea) Sdn. Bhd.
Lot 14A, Jalan 3A, Kawasan
Perusahaan Cheras Jaya
Balakong, 43200 Cheras, Selangor
Darul Ehsan
Tel: + 603 9074 2388

SPAIN

Rolf C. Hagen España S.A.
Avda. de Beniparrell, 11 y 13
P.I. L' Altero 46460 Silla
Valencia, Spain
Tel: +34 96 120 09 45

ARGENTINA

Hagen S.A. Argentina
Ruta Panamericana - Ramal Escobar Km 33,
5 Colectora Oeste Esq. Benjamin Seaver Area
de Promoción El Triángulo
CP: B1615MRC Malvinas Argentinas,
Buenos Aires, Argentina
Tel: (+543327) 411-591